

Ginlong-USA Solis Rapid Shutdown Device
Solis-RSD-1G



Made by Ginlong Technologies



Outstanding Features

- ▶ UL-Certified and compliant with 2014 NEC 690.12 Rapid Shutdown
- ▶ Available in either single channel output or dual channel output allowing for perfect alignment with the number of MPPT channels in the inverter system
- ▶ No interference with AFCI functionality of Solis inverters
- ▶ NEMA 4X Enclosure, conformal-coated internal components and a wide operating temperature range
- ▶ Familiar mounting plate for fast attachment and solid grounding to the support rack
- ▶ Low profile design allows for easy positioning under the PV module
- ▶ Pre-wired MC4 connectors for positive, watertight connections
- ▶ Engineered for the US Solis transformer-less Inverter line and compatible with any PV Module -string inverter combination where the maximum system operating voltage is $\leq 550\text{VDC}$.

Manufacturer: Ginlong (Ningbo) Technologies Co.,Ltd., Ningbo, Zhejiang, P.R.China

Office: 565 Metro Pl. S. Suite 3214, Dublin OH 43017, USA

Toll-free: 866.438.8408 | **Email:** sales@ginlong.com | sales@ginlong-usa.com

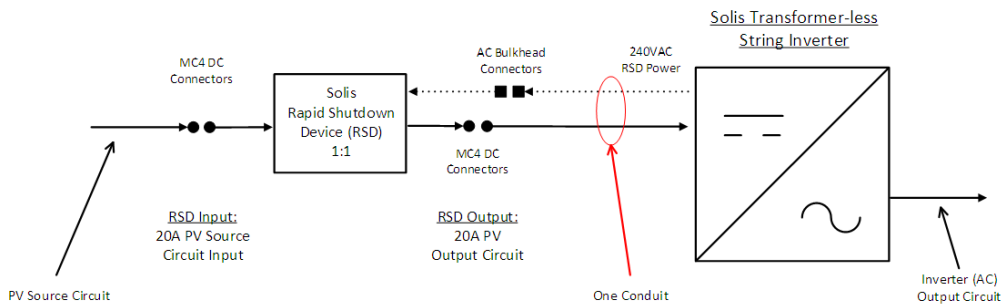
Web: www.ginlong.com



Specifications

DC	Solis-RSD-1G 1:1	Solis-RSD-1G 2:2
Maximum Input and Output Voltage	600VDC	600VDC
DC Input Voltage Range	30-600VDC	30-600VDC
Maximum Number of PV Source Circuits	1 input / 1 output	2 input / 2 output
Maximum Input / Output Current	20A	2 independent channels, 20A/10A
Maximum Short Circuit Current	31.2A	31.2A
DC Input / Output Cable Whips	PV Wire with MC4 Locking Connectors	PV Wire with MC4 Locking Connectors
DC Input / Output Wire Size	AWG #12 to #6	AWG #12 to #6
Ground Wire Size	AWG #10 to #6	AWG #10 to #6
AC		
Rated AC Input Voltage	208/240VAC	208/240VAC
Rated AC Input Current	0.1A	0.1A
Rated Frequency	50/60Hz	50/60Hz
AC Control Wire Size	AWG #18 to #14	AWG #18 to #14
Maximum AC Fuse Rating	2A	2A
GENERAL		
Ambient Temperature Range	-25 to +65°C (-13 to 158°F)	-25 to +65°C (-13 to 158°F)
Enclosure Type	NEMA 4X	NEMA 4X
Roof Mount Style	Rail-mount plate (WEEB Compatible)	Rail-mount plate (WEEB Compatible)
Status Indicator	LED	LED
Efficiency	>99.5%	>99.5%
Response Time	<2 seconds	<2 seconds
Dimensions (W × H × D)	262 × 240 × 43 cm / 10.3 × 9.4 × 1.7 in.	262 × 240 × 43 cm / 10.3 × 9.4 × 1.7 in.
Weight	2.3 kg / 5.1 lb	2.4 kg / 5.2 lb
Warranty	10 Year	10 Year
Certification & Safety Standard Compliance	UL1741, FCC Part 15 Class B, NEC 690.12	UL1741, FCC Part 15 Class B, NEC 690.12

1 Input-1 Output



2 Input-2 Output

