

Features

- Integrated LED fire rated recessed spotlight, white bezel colour, three temperature light colours selectable: 3000K, 4000K, 6500K. Lumen output 540lm (4000K), 5.5W, dimmable trailing/leading edge, 60° degree beam angle, polycarbonate and steel body with aluminium bezel, low profile 60mm recessed depth, IP65 frontal degree, IK03, loop-in/loop-out terminals for fast wiring, 87mm bezel diameter, 70-75mm cutout, clear lens. . Fire rated 30,60,90 minutes.

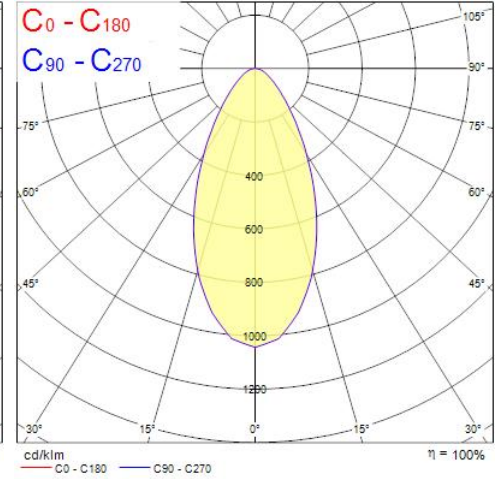
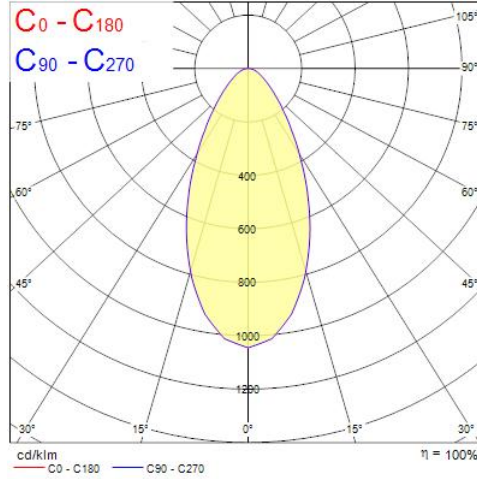
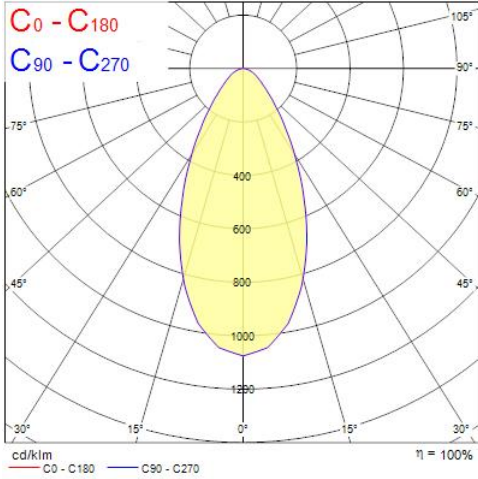
Product Overview

Product name	Start Spot Fire 540lm 3CCT IP65 WH
Technology	LED
Cap/Base	N/A
Housing	Metal/plastic
Mount	Ceiling recessed mounting
Fixture luminous flux (lm)	540
Luminaire efficacy (lm/W)	98
Light colour	Neutral White
CRI (Ra)	80
Colour Variation Initial (SDCM)	6
Photobiological Risk Group	RG0
Total power consumption (W)	5.5
Electrical protection	Class II
Control gear type	LED driver constant current
LED Flickering Rate	Medium (21% - 40%)
Housing colour	RAL9003
IP rating	IP65/20
IK rating	IK03
Product EAN number	5410288598307
Warranty	3 years

Colour Code

840

Photometry



Distance [m]	Cone diameter [m]	Illuminance [lx]
0.5	0.47	E(0°) 2053 E(C0) 766
1.0	0.93	E(0°) 513 E(C0) 191
1.5	1.40	E(0°) 228 E(C0) 86
2.0	1.87	E(0°) 128 E(C0) 48
2.5	2.33	E(0°) 82 E(C0) 31
3.0	2.80	E(0°) 57 E(C0) 21

Distance [m] Cone diameter [m] Illuminance [lx]
— C0 - C180 (Half beam angle: 50.0°)

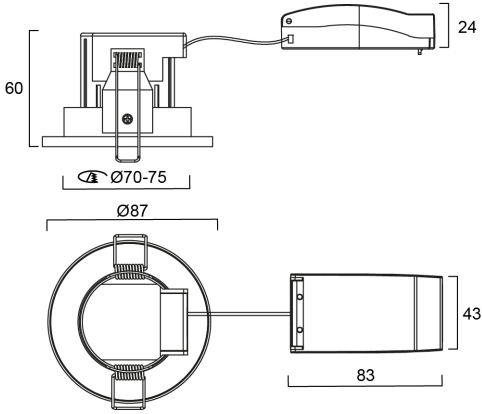
Distance [m]	Cone diameter [m]	Illuminance [lx]
0.5	0.47	E(0°) 2246 E(C0) 833
1.0	0.94	E(0°) 561 E(C0) 208
1.5	1.41	E(0°) 250 E(C0) 98
2.0	1.88	E(0°) 140 E(C0) 52
2.5	2.35	E(0°) 90 E(C0) 33
3.0	2.82	E(0°) 62 E(C0) 23

Distance [m] Cone diameter [m] Illuminance [lx]
— C0 - C180 (Half beam angle: 50.4°)

Distance [m]	Cone diameter [m]	Illuminance [lx]
0.5	0.47	E(0°) 2076 E(C0) 770
1.0	0.94	E(0°) 519 E(C0) 193
1.5	1.41	E(0°) 231 E(C0) 86
2.0	1.88	E(0°) 130 E(C0) 48
2.5	2.35	E(0°) 83 E(C0) 31
3.0	2.82	E(0°) 58 E(C0) 21

Distance [m] Cone diameter [m] Illuminance [lx]
— C0 - C180 (Half beam angle: 50.4°)

Technical drawings



Data table

GENERAL DATA

Product name	Start Spot Fire 540lm 3CCT IP65 WH
Technology	LED
Cap/Base	N/A
Housing	Metal/plastic
Mount	Ceiling recessed mounting
Operating temperature range (°C)	-10°C...+40°C
Performance ambient temperature Tq (°C)	25
Warranty	3 years

OPTICAL DATA

Fixture luminous flux (lm)	540
Luminaire efficacy (lm/W)	98
Correlated colour temperature range (K)	3000 - 6500
Colour Code	840
Light colour	Neutral White

Start Spot Fire 540lm 3CCT IP65 WH 0059830

CRI (Ra)	80
Colour Variation Initial (SDCM)	6
Photobiological Risk Group	RG0

ELECTRICAL DATA

Total power consumption (W)	5.5
Lamp power factor	0.9
Electrical protection	Class II
Control gear required	No
Control gear type	LED driver constant current
Drive current - Range (mA)	14mA / 135mA
Inrush Current (A)	10
Inrush Duration (μ s)	150
Glow Wire Test ($^{\circ}$ C)	650
Energy Efficiency Class (A->G) of contained light source	E
Nominal Frequency (Hz)	50/60Hz
LED Flickering Rate	Medium (21% - 40%)
Max. products per 10A C Breaker	50
Max. products per 20A B Breaker	70
Connectable conductor cross section - Min (mm ²)	0.75
Connectable conductor cross section - Max (mm ²)	1.5

LIFETIME DATA

Lifespan L70 B50	124000
Lifespan L80 B20	59000
Lifespan L90 B10	27000

PHYSICAL DATA

Housing colour	RAL9003
IP rating	IP65/20
IK rating	IK03

Start Spot Fire 540lm 3CCT IP65 WH 0059830

Diffuser finish	Other
Diffuser material	None
Nominal Product Diameter (mm)	87
Weight (kg)	0.27
Recessed Depth (mm)	55

PACKAGING

Single packaging type	Carton
Product EAN number	5410288598307
Packaging single width (cm)	7.0
Packaging single depth (cm)	10.5
DUN14 (outer)	15410288598304
Packaging outer length / height (cm)	54.5

SAFETY DATA

Optimal operating condition (°C)	-10-40
Special purpose lamp	No
Dry applications use only	No
Suitable for household illumination	No