



Features

- IP20 LED downlight, fire rated for 30, 60 and 90 minutes. 8W up to 620 lumen output.



Product Overview

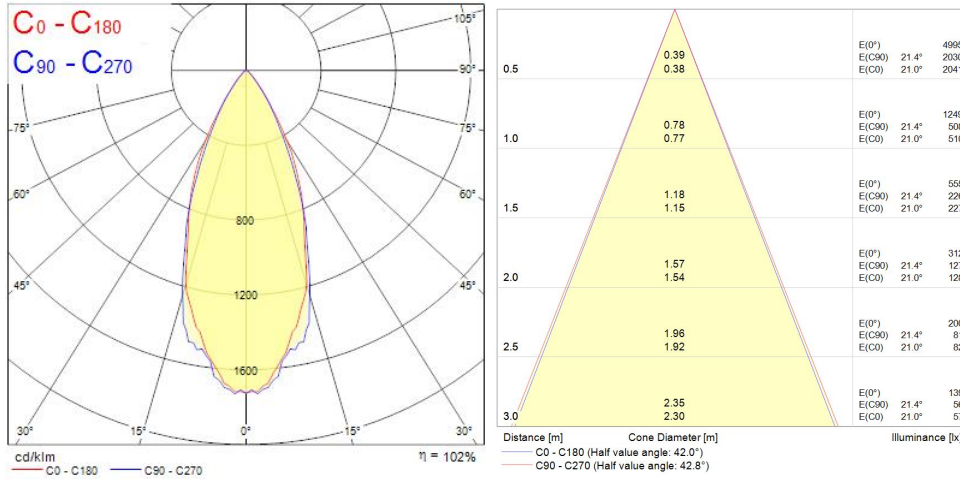
Product name	SYLFIRE LED TILTABLE 830 DIM WHITE DC
Technology	LED
Housing	Aluminium
Mount	Ceiling recessed mounting
Environment	Indoor
Fixture luminous flux (lm)	730
Luminaire efficacy (lm/W)	91
Colour temperature (K)	3000
Light colour	Warm White
CRI (Ra)	80
Colour Variation Initial (SDCM)	6
Photobiological Risk Group	RG1
Total power consumption (W)	8
Electrical protection	Class II
Housing colour	White
IP rating	IP20
IK rating	IK06
Product EAN number	5410288598277
Warranty	5 years

SYLFIRE LED TILTABLE 830 DIM WHITE DC 0059827

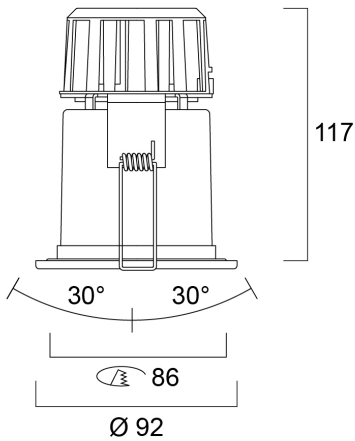
Colour Code

830

Photometry



Technical drawings



Data table

GENERAL DATA

SYLFIRE LED TILTABLE 830 DIM WHITE DC 0059827

Product name	SYLFIRE LED TILTABLE 830 DIM WHITE DC
Technology	LED
Housing	Aluminium
Mount	Ceiling recessed mounting
Environment	Indoor
Operating temperature range (°C)	-10°C...+45°C
Performance ambient temperature Tq (°C)	25
Warranty	5 years

OPTICAL DATA

Fixture luminous flux (lm)	730
Luminaire efficacy (lm/W)	91
Colour temperature (K)	3000
Colour Code	830
Light colour	Warm White
CRI (Ra)	80
Colour Variation Initial (SDCM)	6
Photobiological Risk Group	RG1
Lumen maintenance at end of nominal life (%)	70

ELECTRICAL DATA

Total power consumption (W)	8
Lamp power factor	0.85
Electrical protection	Class II
Control gear required	No
Drive current (mA)	150
Inrush Current (A)	10
Inrush Duration (µs)	150
Glow Wire Test (°C)	650
Nominal Frequency (Hz)	50/60Hz
Max. products per 10A C Breaker	60

SYLFIRE LED TILTABLE 830 DIM WHITE DC 0059827

LIFETIME DATA

Lifespan L70 B50	50000
------------------	-------

PHYSICAL DATA

Housing colour	White
IP rating	IP20
IK rating	IK06
Diffuser finish	Opal
Diffuser material	PC Polycarbonate
Nominal Product Diameter (mm)	92
Weight (kg)	0.479

PACKAGING

Single packaging type	Carton
Product EAN number	5410288598277
Packaging single width (cm)	13.0
Packaging single depth (cm)	13.03
DUN14 (outer)	05410288598277
Packaging outer length / height (cm)	68.2

SAFETY DATA

Optimal operating condition (°C)	-10-45
Special purpose lamp	No
Dry applications use only	No
Suitable for household illumination	No