

### Features

- IP65 from the front LED downlight, fire rated for 30, 60 and 90 minutes. 8W up to 620 lumen output.



### Product Overview

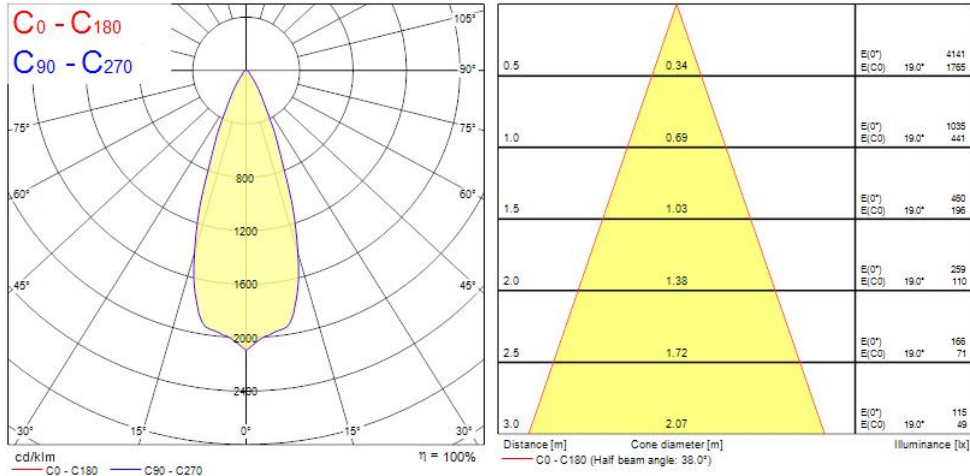
Product name	SYLFIRE LED FIXED 830 DIM WHITE DC
Technology	LED
Housing	Aluminium
Mount	Ceiling recessed mounting
Environment	Indoor
Fixture luminous flux (lm)	670
Luminaire efficacy (lm/W)	84
Colour temperature (K)	3000
Light colour	Warm White
CRI (Ra)	80
Colour Variation Initial (SDCM)	6
Photobiological Risk Group	RG1
Total power consumption (W)	8
Electrical protection	Class II
Housing colour	White
IP rating	IP65/20
IK rating	IK06
Product EAN number	5410288598215
Warranty	5 years

## SYLFIRE LED FIXED 830 DIM WHITE DC 0059821

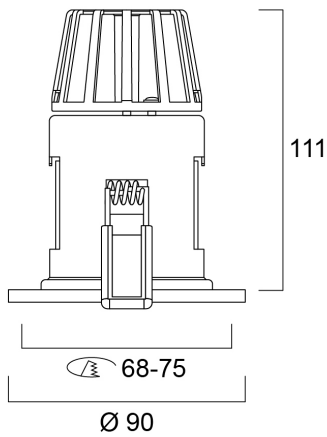
Colour Code

830

### Photometry



### Technical drawings



### Data table

#### GENERAL DATA

## SYLFIRE LED FIXED 830 DIM WHITE DC 0059821

Product name	SYLFIRE LED FIXED 830 DIM WHITE DC
Technology	LED
Housing	Aluminium
Mount	Ceiling recessed mounting
Environment	Indoor
Operating temperature range (°C)	-10°C...+45°C
Performance ambient temperature Tq (°C)	25
Warranty	5 years

### OPTICAL DATA

Fixture luminous flux (lm)	670
Luminaire efficacy (lm/W)	84
Colour temperature (K)	3000
Colour Code	830
Light colour	Warm White
CRI (Ra)	80
Colour Variation Initial (SDCM)	6
Photobiological Risk Group	RG1
Lumen maintenance at end of nominal life (%)	70

### ELECTRICAL DATA

Total power consumption (W)	8
Lamp power factor	0.85
Electrical protection	Class II
Control gear required	No
Drive current (mA)	150
Inrush Current (A)	10
Inrush Duration (µs)	150
Glow Wire Test (°C)	650
Nominal Frequency (Hz)	50/60Hz
Max. products per 10A C Breaker	60

## SYLFIRE LED FIXED 830 DIM WHITE DC 0059821

### LIFETIME DATA

Lifespan L70 B50	50000
------------------	-------

### PHYSICAL DATA

Housing colour	White
IP rating	IP65/20
IK rating	IK06
Diffuser finish	Opal
Diffuser material	PC Polycarbonate
Nominal Product Diameter (mm)	90
Weight (kg)	0.433

### PACKAGING

Single packaging type	Carton
Product EAN number	5410288598215
Packaging single width (cm)	13.03
Packaging single depth (cm)	12.93
DUN14 (outer)	05410288598215
Packaging outer length / height (cm)	68.2

### SAFETY DATA

Optimal operating condition (°C)	-10-45
Special purpose lamp	No
Dry applications use only	No
Suitable for household illumination	No