

Product information PA042009EN

Eaton's J-range enclosed switch-disconnectors



Eaton's J-range enclosed switch-disconnectors are an ideal solution to solve the challenges posed in the residential, commercial and light industrial segments and their associated applications. The focused range of surface mounted products runs from 16 A to 40 A, and has a specification tailored to this market space. Delivering a solution of superior quality versus competitor offerings and adding value to the commercial and technical requirements of customers.

Features and benefits

- Compatible with Eaton's SVB handle range for
 - Emergency cut-off
 - Standard disconnection
- Cross regional approvals: IEC, CE and CCC ensure the switch-disconnector can be used in key markets
- IP65 Outdoor rated UV protection
- Soft polymer membrane cable entry removes the need for cable glands so reduces installation time
- Handle collar integrated in lid improves installation time
- Leading mechanical endurance rating delivering lifetime assurance in high use applications
- AC-21 and AC-22 utilisation categories to ensure the products is equipped for resistive and inductive loads, including moderate overloads

Technical data

- Rated voltage: 415 ...690 V a.c.
- Rated current: 16, 20, 25, 32 and 40 Amps
- Utilisation categories: AC-21 and AC-22
- 3-pole and 3-pole + neutral configurations
- IP65 UV Protection
- Standard: IEC, CE and CCC



EATON

Powering Business Worldwide

Eaton's J-range enclosed switch-disconnectors - Overview

| J-range main switch-disconnectors specifications | | | Polycarbonate enclosure specifications | | | | |
|--|------------------|------------|--|---------------|---|-------------|---------------------------|
| Size | Number of poles | Amp rating | Size | Handle colour | Handle type | Part number | Article number |
| J1 | 3-pole | 16 A | 2 | Red | Rotary handle – padlockable in OFF position | J16/R | Y7-199727 |
| J1 | 3-pole | 16 A | 2 | Black | | J16/B | Y7-199728 |
| J1 | 3-pole + Neutral | 16 A | 2 | Red | | J16/R/N | Y7-199729 |
| J1 | 3-pole + Neutral | 16 A | 2 | Black | | J16/B/N | Y7-199730 |
| J1 | 3-pole | 20 A | 2 | Red | | J20/R | Y7-199541 |
| J1 | 3-pole | 20 A | 2 | Black | | J20/B | Y7-199545 |
| J1 | 3-pole + Neutral | 20 A | 2 | Red | | J20/R/N | Y7-199549 |
| J1 | 3-pole + Neutral | 20 A | 2 | Black | | J20/B/N | Y7-199553 |
| J1 | 3-pole | 25 A | 2 | Red | | J25/R | Y7-199542 |
| J1 | 3-pole | 25 A | 2 | Black | | J25/B | Y7-199546 |
| J1 | 3-pole + Neutral | 25 A | 2 | Red | | J25/R/N | Y7-199550 |
| J1 | 3-pole + Neutral | 25 A | 2 | Black | | J25/B/N | Y7-199554 |
| J1 | 3-pole | 32 A | 2 | Red | | J32/R | Y7-199543 |
| J1 | 3-pole | 32 A | 2 | Black | | J32/B | Y7-199547 |
| J1 | 3-pole + Neutral | 32 A | 2 | Red | | J32/R/N | Y7-199551 |
| J1 | 3-pole + Neutral | 32 A | 2 | Black | | J32/B/N | Y7-199555 |
| J1 | 3-pole | 40 A | 2 | Red | | J40/R | Y7-199544 |
| J1 | 3-pole | 40 A | 2 | Black | | J40/B | Y7-199548 |
| J1 | 3-pole + Neutral | 40 A | 2 | Red | | J40/R/N | Y7-199552 |
| J1 | 3-pole + Neutral | 40 A | 2 | Black | | J40/B/N | Y7-199556 |

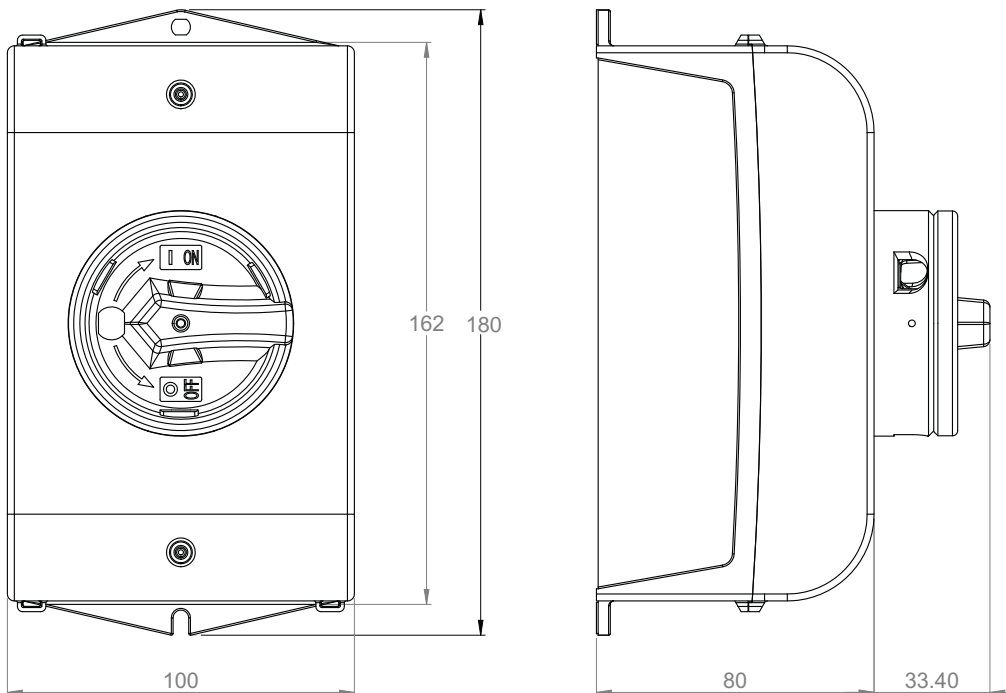


Y7 - 199541



Y7 - 199545

Eaton's J-range enclosed switch-disconnectors - Dimensions (mm)



Eaton
EMEA Headquarters
Route de la Longeraie 7
1110 Morges, Switzerland

Eaton Electrical Products Limited
Unit 1, Hawker Business Park,
Melton Road, Burton-on-the-Wolds
Leicestershire, LE12 5TH
United Kingdom

© 2021 Eaton
All Rights Reserved
PDF only
PA042009EN
January 2021

Eaton is a registered trademark.
All other trademarks are property
of their respective owners.

Follow us on social media to get the latest product and support information.

