



Features

- Perfect for decorative and general lighting applications and creates a warm ambience similar to traditional lamps The versatile ToLEDo Retro Candle range is the ideal replacement for halogen and incandescent lamps and perfect for chandeliers and decorative applications Same look, size and functionality as incandescent lamps Omni-directional light distribution Gives same sparkling light effect as the incandescent lamp Dimensionally identical to incandescent lamps - fits all fixtures Environment-friendly - no mercury and lower CO2 emissions

Product Overview

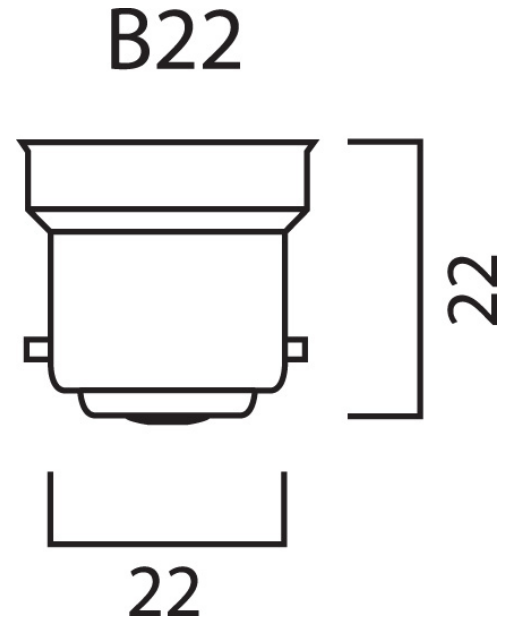
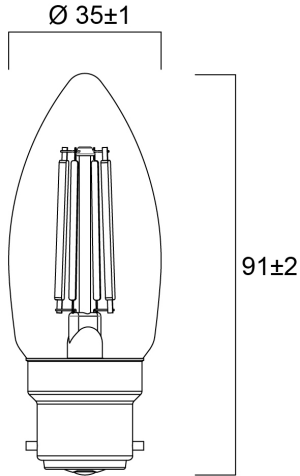
Product name	ToLEDo RT Candle V5 CL 470LM 827 B22 SL
Technology	LED
Watt (Rated) (W)	4.5
Cap/Base	B22
Fixture rating	Open
General application	Hospitality, Residential & Consumer
ETIM Class	EC001959
Correlated colour temperature (k)	2700
Light colour	Homelight
CRI (Ra)	80
Colour Variation Initial (SDCM)	6
Photobiological Risk Group	RG1
Wattage (W)	4.5
Power consumption (W)	4.5
Dimmable	No
Average life (Nominal) (h)	15000
Product EAN number	5410288293721
Warranty	3 years

ToLEDo RT Candle V5 CL 470LM 827 B22 SL 0029372

Useful luminous flux (#use)

470

Technical drawings



Data table

GENERAL DATA

Product name	ToLEDo RT Candle V5 CL 470LM 827 B22 SL
Technology	LED
Watt (Rated) (W)	4.5
Cap/Base	B22
Fixture rating	Open
General application	Hospitality, Residential & Consumer
Operating temperature range (°C)	-20°C...+40°C
Performance ambient temperature Tq (°C)	25
ETIM Class	EC001959
Warranty	3 years

OPTICAL DATA

Useful luminous flux (#use)	470
Luminous flux (Rated) (lm)	470
Correlated colour temperature (k)	2700
Light colour	Homelight
CRI (Ra)	80
Colour Variation Initial (SDCM)	6
Photobiological Risk Group	RG1
Lumen maintenance at end of nominal life (%)	70

ELECTRICAL DATA

Power consumption (W)	4.5
Wattage (W)	4.5
Equivalent watt (W)	40
Primary Supply/Product voltage - min (V)	220
Primary Supply/Product voltage - max (V)	240
Control gear required	No
No. Of switching cycles before premature failures	>50000
Dimmable	No
Inrush Current (A)	6.3
Inrush Duration (μ s)	240
Lamp Energy Label (class)	F
Nominal Frequency (Hz)	50/60Hz
Max. products per 16A C Breaker	25
Max. products per 16A B Breaker	13

LIFETIME DATA

Lifespan L70 B50	15000
Average life (Nominal) (h)	15000
Average life (Rated) (h)	15000

PHYSICAL DATA

Nominal Product Length (mm)	91
Nominal Product Diameter (mm)	35
Weight (kg)	0.021

PACKAGING

Product EAN number	5410288293721
Packaging single length / height (cm)	11.0
Packaging single width (cm)	4.5
Packaging single depth (cm)	4.5
DUN14 (inner)	15410288293728
Units per outer package	6
Packaging outer length / height (cm)	14.3
Packaging outer width (cm)	9.7
Packaging outer depth (cm)	12.0

SAFETY DATA

Optimal operating condition (°C)	-20-40
Breakage cleaning instructions	Not applicable
Special purpose lamp	No
Dry applications use only	Yes
Suitable for household illumination	Yes
Safety message	Not Suitable for totally enclosed fixtures

SYLVANIA

ToLEDo RT Candle V5 CL 470LM 827 B22 SL
0029372

Energy label



0029372



5
kWh/1000h



2019/2015



0029372



5
kWh/1000h



2019/2015