



Single-lever mixer cartridge insert 45° with fastening nut and adapter key ,  
torque wrench Ø 35 mm x 58,6 mm -

---

SPARE PARTS

90 15 05 046 05 90





Single-lever mixer cartridge insert 45° with fastening nut and adapter key ,  
torque wrench Ø 35 mm x 58,6 mm -

---

SPARE PARTS

90 15 05 046 05 90



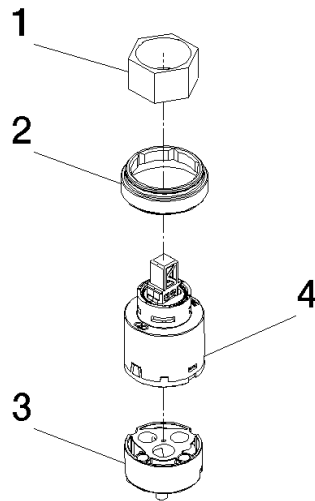
Single-lever mixer cartridge insert 45° with fastening nut and adapter key ,  
torque wrench Ø 35 mm x 58,6 mm -

---

SPARE PARTS

90 15 05 046 05 90

90 15 05 046 05 90



## Spare parts list

No.	Item Number	Name	Quantity used	Delivery time
1	90 30 09 031 00 90	Spanner Cartridge screw connection -	1.00	14
2	09 23 10 139 90	Nut M38 x 1 -	1.00	14
4	90 15 05 046 00 90	Single-lever mixer cartridge Ø 35 mm x 58,6 mm -	1.00	14
3	09 18 40 187 90	Insert -	1.00	14