

28 504 979 Product version from 10/1/2023



- spray head Ø 100mm
- PURIFY RAIN, max. flow rate 7 l/min (at 3 bar)
- Function from: 6 l/min
- with anti-scale system

Technical data:

- 180-210mm projection
- ball-joint pivotable through 30°
- rosettes Ø 55 mm
- 1/2" connection

Notes:

	Brushed Platinum	28 504 979-06
	Chrome	28 504 979-00
	Platinum	28 504 979-08
	Dark Chrome	28 504 979-19
	Light Gold (PVD)	28 504 979-26
	Brushed Light Gold (PVD)	28 504 979-27
	Brushed Durabrass (23kt Gold)	28 504 979-28
	Matte Black	28 504 979-33
	Brushed Gold (PVD)	28 504 979-37
	Brushed Dark Brass (PVD)	28 504 979-39
	Brushed Bronze (PVD)	28 504 979-42
	Brushed Dark Bronze (PVD)	28 504 979-43
	Brushed Champagne (22kt Gold)	28 504 979-46
	Champagne (22kt Gold)	28 504 979-47
	Brushed Chrome	28 504 979-93
	Brushed Dark Platinum	28 504 979-99

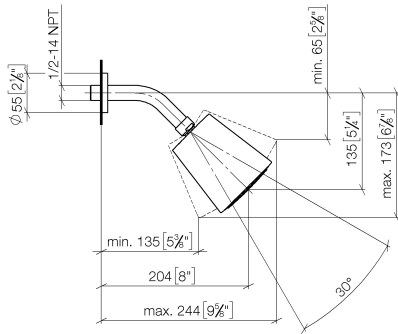
Recommended miscellaneous



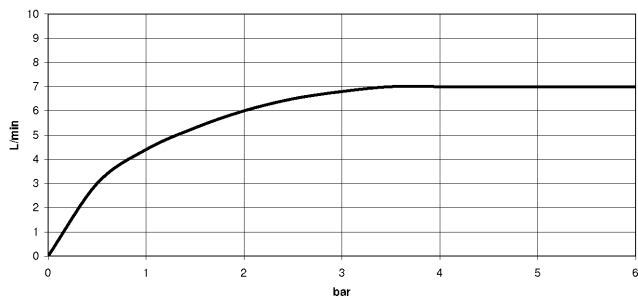
- Concealed wall elbow -** 35 085 970 90
- min. recess depth 90 mm
 - max. recess depth 163 mm

28 504 979 Product version from 10/1/2023

mm [inches]



Flow rate chart



Codes & Standards

DIN 4109

EN 1112

ISO 3822

Ü-Zeichen



Shower head - Brushed Platinum

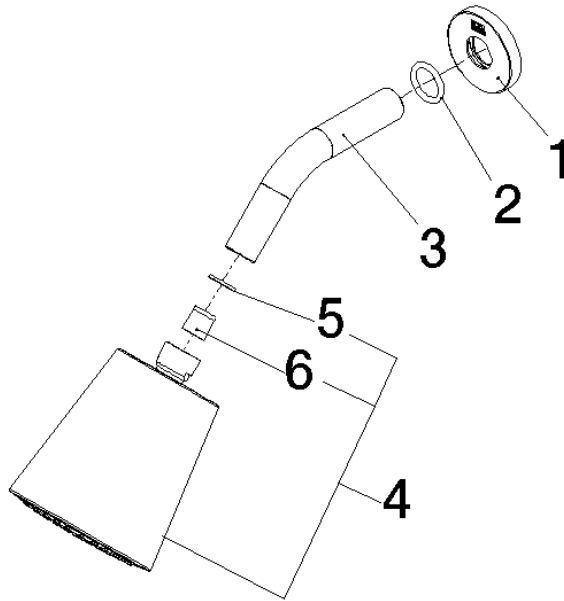
SERIES SPECIFIC

28 504 979 Product version from 10/1/2023

Certificates and sustainability

LGA_19

DVGW_DW-
6517DN0



Spare parts list

No.	Item Number	Name	Quantity used	Delivery time
2	90 14 10 026 00 90	O-Ring 20,5 x 3,5 mm -	1.00	14
3	09 11 03 011-06	Connection 140 x 65 x 21 mm - Brushed Platinum	1.00	20
4	90 14 20 002 00 90	Washer 18,5 x 12,0 x 2,0 mm -	1.00	14
1	09 27 22 503-06	Rosette DB logo Ø 55 x Ø 22 x 9 mm - Brushed Platinum	1.00	20
5	09 23 01 086 90	Flow limiter beige 7,6 l/min. -	1.00	14
6	90 12 05 054 00-06	Spray Overhead shower Ø 141 x 178 mm - Brushed Platinum	1.00	20