



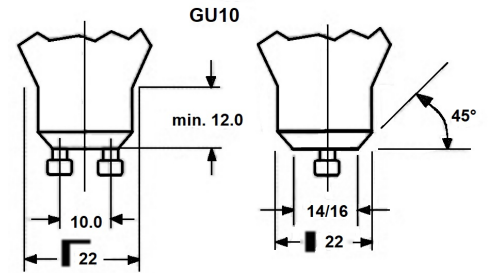
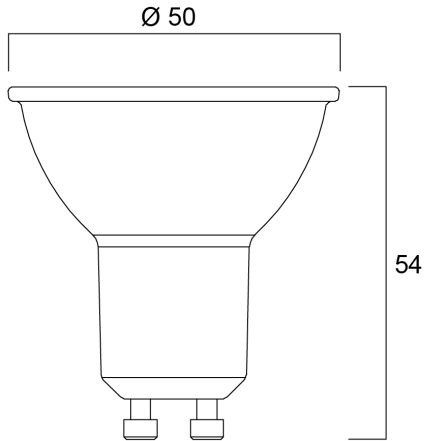
Features

- Premium performance professional LED GU10 range with the same look and feel of traditional halogen GU10 lamp Recreates backlight effect similar to halogen dichroic lamps Full glass design - means no colours clashing between lamp and fixture Very long lifetime of up to 25,000 hours COOLFIT functionality – ensures overheat and over temperature protection High switching cycles: >100,000 High colour rendering: CRI80 Non dimmable Warranty: 5 Years

Product Overview

Product name	RefLED Superia Retro ES50 V3 600LM 830 36 SL
Technology	LED
Watt (Rated) (W)	6
Cap/Base	GU10
Fixture rating	Open
E-number FI	4741047
Colour temperature (K)	3000
CRI (Ra)	80
Colour Consistency (SDCM)	6
Colour Variation Initial (SDCM)	6
Photobiological Risk Group	RG1
Wattage (W)	6
Product EAN number	5410288291185
Warranty	5 years

Technical drawings



Data table

GENERAL DATA

Product name	RefLED Superia Retro ES50 V3 600LM 830 36 SL
Technology	LED
Watt (Rated) (W)	6
Cap/Base	GU10
Fixture rating	Open
Operating temperature range (°C)	-20°C...+50°C
Performance ambient temperature Tq (°C)	25
E-number FI	4741047
Warranty	5 years

OPTICAL DATA

Colour temperature (K)	3000
CRI (Ra)	80
Colour Consistency (SDCM)	6

RefLED Superia Retro ES50 V3 600LM 830 36 SL 0029118

Colour Variation Initial (SDCM)	6
Luminous Intensity (cd)	1000
Photobiological Risk Group	RG1
Lumen maintenance at end of nominal life (%)	70

ELECTRICAL DATA

Wattage (W)	6
Equivalent watt (W)	80
Primary Supply/Product voltage - min (V)	220
Control gear required	No
Inrush Current (A)	5.12
Inrush Duration (µs)	328
Lamp Energy Label (class)	E
Nominal Frequency (Hz)	50/60Hz

LIFETIME DATA

Lifespan L70 B50	25000
Average life (Rated) (h)	25000

PHYSICAL DATA

Nominal Product Diameter (mm)	50
Weight (kg)	0.05

PACKAGING

Single packaging type	Carton
Product EAN number	5410288291185
Packaging single width (cm)	6.1
Packaging single depth (cm)	5.1
DUN14 (inner)	25410288291189
Units per inner package	6
Packaging inner length / height (cm)	9.2
Packaging inner width (cm)	16.4

RefLED Superia Retro ES50 V3 600LM 830 36 SL 0029118

Packaging inner depth (cm)	13.1
DUN14 (outer)	15410288291182
Packaging outer length / height (cm)	20.8

SAFETY DATA

Optimal operating condition (°C)	-20-50
Breakage cleaning instructions	Not applicable
Special purpose lamp	No
Dry applications use only	No
Suitable for household illumination	No
Safety message	None

SYLVANIA

RefLED Superia Retro ES50 V3 600LM 830 36 SL
0029118

Energy label



0029118



6
kWh/1000h



2019/2015



0029118



6
kWh/1000h



2019/2015