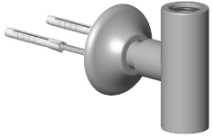






Mounting T-piece 135 x 150 x 85 mm - Brushed Bronze (PVD)

SPARE PARTS

90 17 11 033 00 Product version from 4/1/2025



	Brushed Bronze (PVD)	90 17 11 033 00-42
	Chrome	90 17 11 033 00-00
	Brushed Dark Brass (PVD)	90 17 11 033 00-39
	Brushed Dark Platinum	90 17 11 033 00-99



Mounting T-piece 135 x 150 x 85 mm - Brushed Bronze (PVD)

SPARE PARTS

90 17 11 033 00 Product version from 4/1/2025



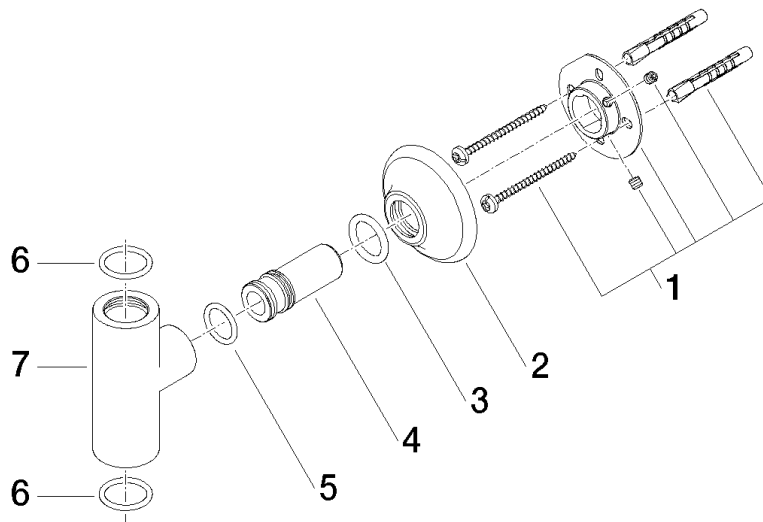
Mounting T-piece 135 x 150 x 85 mm - Brushed Bronze (PVD)

SPARE PARTS

90 17 11 033 00 Product version from 4/1/2025

90 17 11 033 00 Product version from 4/1/2025

Parts for other finishes can be found here: [Chrome](#)



Spare parts list

No.	Item Number	Name	Quantity used	Delivery time
6	09 14 10 100 90	O-Ring EPDM 70 20,0 x 2,5 mm -	2.00	14
5	09 14 10 022 90	O-Ring EPDM 70 16,0 x 2,5 mm -	1.00	14
3	09 14 10 006 90	O-Ring 18,0 x 3,5 mm -	1.00	14
4	09 17 97 052-42	Holder for shower mixer, Madison Ø 20 x 49 mm - Brushed Bronze (PVD)	1.00	82
7	09 17 11 033-42	Connection for shower with fixed riser T-piece 31 x 50 x 80 mm - Brushed Bronze (PVD)	1.00	82
1	05 17 20 707 02 90	Attachment set round Ø 54 x 90 mm -	1.00	14
2	09 27 36 021-42	Rosette Ø 60 x 18 mm - Brushed Bronze (PVD)	1.00	82