

28 649 970 Product version from 3/13/2017



- rain shower Ø 220 mm
- Rain shower material: metal
- PURE RAIN, max. flow rate 14 l/min (at 3 bar)
- Function from: 7 l/min
- quick clearing
- with anti-scale system
- rosette Ø 60 mm

**Technical data:**

- 450mm projection
- 1/2" connection

**Notes:**

Recommended miscellaneous



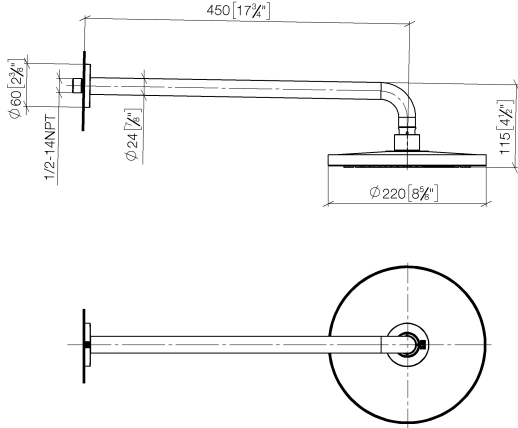
**Concealed wall elbow -**

- min. recess depth 90 mm
- max. recess depth 163 mm

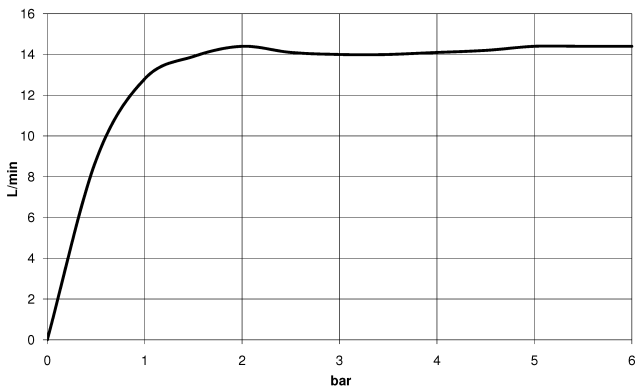
35 085 970 90

28 649 970 Product version from 3/13/2017

mm [inches]



**Flow rate chart**



**Codes & Standards**

DIN 4109

EN 1112

ISO 3822

Scottish Water  
Byelaws

UK Water Supply  
Regulations

Ü-Zeichen



## Rainshower with wall fixing 220 mm - Brushed Platinum

SERIES SPECIFIC

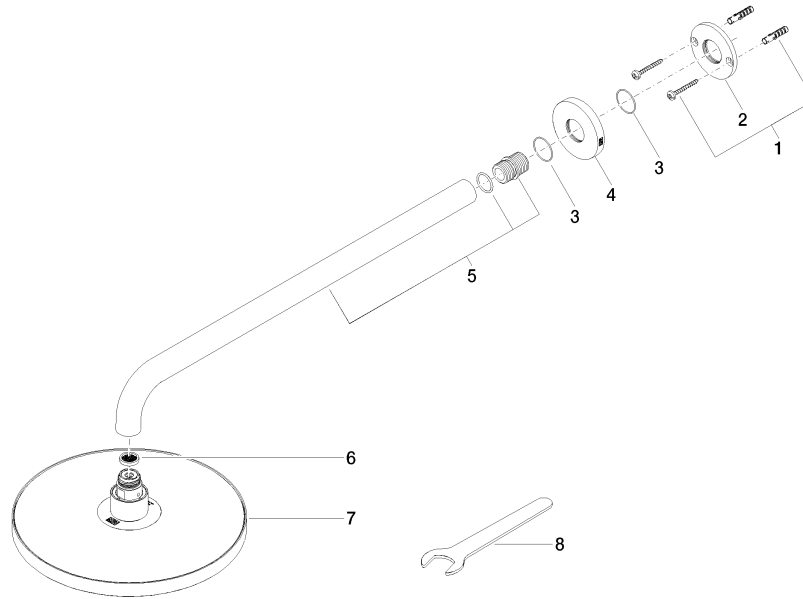
28 649 970 Product version from 3/13/2017

### Certificates and sustainability

LGA\_38

DVGW\_DW-  
6517DN0

WRAS\_2212



### Spare parts list

No.	Item Number	Name	Quantity used	Delivery time
2	09 17 20 120 90	Connection Ø 56,50 x 5 mm -	1.00	14
4	09 27 97 015-06	Rosette DB logo Ø 60 x 9 mm - Brushed Platinum	1.00	20
1	04 30 31 032 00 90	Attachment set Bolt 4 x 35 mm -	1.00	14
8	90 30 09 069 00 90	Spanner -	1.00	14
5	90 11 03 070 00-06	Pipe 462 x 61 x 24 mm - Brushed Platinum	1.00	20
7	04 12 05 092 00-06	Rainshower round Ø 220 mm - Brushed Platinum	1.00	20
6	09 23 01 075 90	Sieve seal Ø 18 x 3,5 mm -	1.00	14
3	09 14 10 150 90	O-Ring 23 x 1,5 mm -	2.00	14