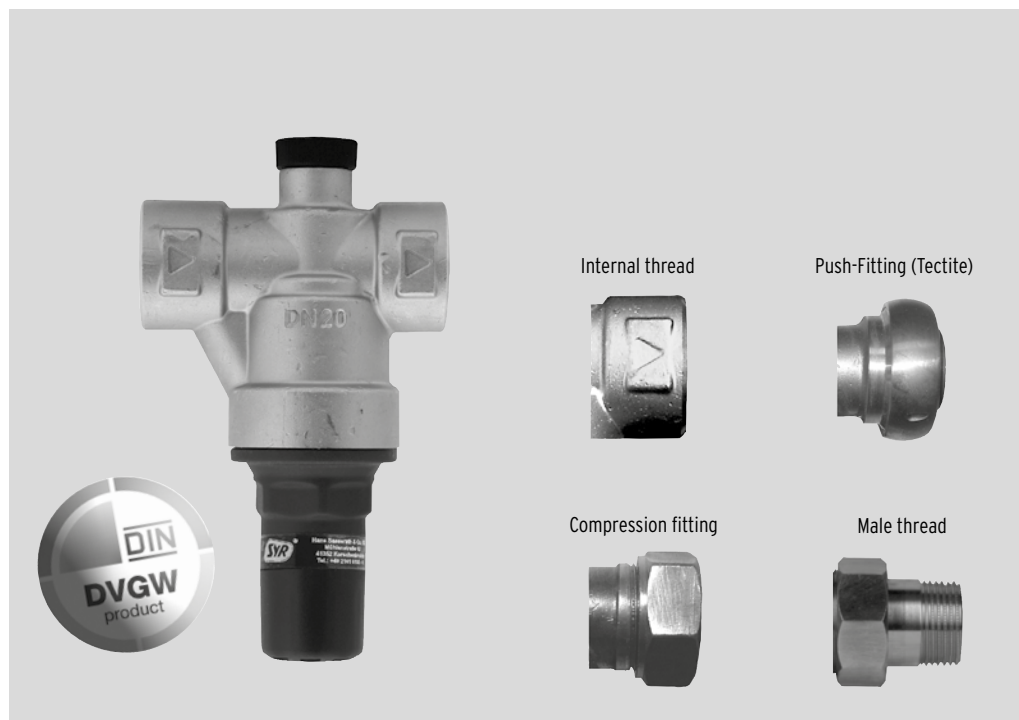


# Pressure Reducing Valve type 312 Euro plus

Compact Pressure Reducing Valve

3



## Field of application

The Pressure Reducing Valve type 312 Euro plus, which complies with the European Standard EN 1567 is predominantly used in the field of potable water installations. It also protects industrial and commercial installations against excess supply pressure according to its specifications.

The Pressure Reducing Valve type 312 Euro plus protects water supply systems by compensating and optimising upstream pressure variations, which effectively prevents damages that can result from pressure increase. In addition, it economically and ecologically reduces water consumption.

## Design

The Pressure Reducing Valve type 312 Euro plus is equipped with a spring-relieved single seat valve and a coaxially positioned strainer (mesh width: 0.25 mm). The operational parts of the system are placed in a cartridge, which can be exchanged without disassembling the device and without

using special tools. The outlet pressure remains unchanged. The special cartridge design allows any mounting position. The Pressure Reducing Valve type 312 Euro plus meets the requirements of the European Standard EN 1567.

## Materials

The materials used for the SYR Pressure Reducing Valve type 312 Euro plus comply with the high requirements of European Standards. All parts getting into contact with water are approved by the German Public Health Office (KTW). The corrosion resistance is guaranteed for all used materials.

The body is made of a high-quality, low-lead brass alloy. All rubber parts are made of ageing-resistant elastomer. Reinforced diaphragm. The high-resistant screw cap is made of glass fibre reinforced synthetic material.

## Installation

The connection size depends on the required flow rate capacity. When selecting a Pressure Reducing Valve, it is important to consider that a pressure drop of 1.1 bar occurs at maximum flow rate. This is the difference between the static and dynamic pressure on the outlet of the Pressure Reducing Valve. When a defined flow rate is required at a spe-

cific draw-off point, the setting of the pressure reducer has to be calculated beforehand. A Pressure Reducing Valve works without auxiliary energy with very little adjustment forces. Therefore, it reacts sensitively to impurities. A filter installed upstream effectively protects the Pressure Reducing Valve type 312 Euro plus (EN 13443-1).

Thoroughly flush the pipe prior to installation. Install the SYR Pressure Reducing Valve type 312 Euro plus in the pipe under consideration of the

direction of flow (see arrow on the body) without applying stresses.

## Technical specifications

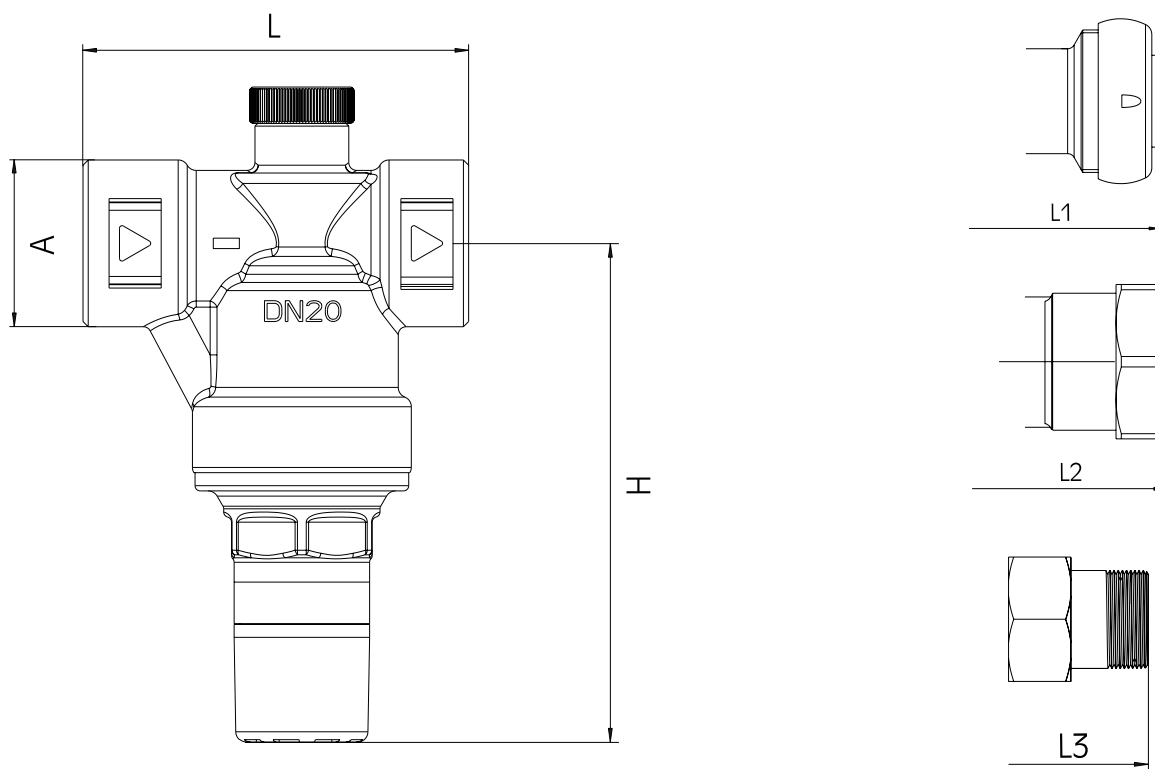
Inlet pressure:	max. 16 bar
Outlet pressure:	adjustment range: 1.5 - 5.5 bar or with preset and sealed cartridge
Operating temperature:	max. 30 °C / max. 80°C available on request
Mounting position:	any
Fluid:	Water, compressed air, neutral gases
Acoustic protection approval number:	P-IX 6736/I
Certification:	NW-6330BR0050
Serial number:	0312...

## Maintenance

The pressure has to be set at static pressure. Lift the adjustment knob and turn it to set the desired pressure. To reduce the outlet pressure, turn the adjustment knob in the direction of the minus symbol (-) and to increase it, turn the adjustment knob in the direction of the plus symbol (+). Let the adjustment knob click into its original position. It is

recommended to carry out maintenance works on a regular basis to ensure perfect functionality. The perfected design of the cartridge system allows to disassemble the functional part of the pressure reducer without having to disassemble the whole device and without using special tools.





Male thread, Compression- and Push-fittings 15 and 22 mm optionally available for connection sizes DN 15 and DN 20.

Nominal size		DN 10	DN 15	DN 20
	A	G 3/8"	G 1/2"	G 3/4"
Dimensions in mm	L (mm)	64	72	74
	L1 (mm)	-	88	100
	L2 (mm)	-	86	88
	L3 (mm)	-	74	80
	H (mm)	100	97	97
Flow rate capacity in m <sup>3</sup> /h (at 2m/s)	Residential buildings according to DIN EN 1567	0.56	1.3	2.3
Flow rate capacity in m <sup>3</sup> /h (at 3m/s)	industrial / commercial installations	0.85	1.8	3.3

Accessory

Manometer: Type 11



## Components / Order numbers

- ① **Pressure reducer cartridge adjustable**  
DN 8 - 20      40 2014
- ② **Body**
- ③ **Manometer plug**  
40 2009

