



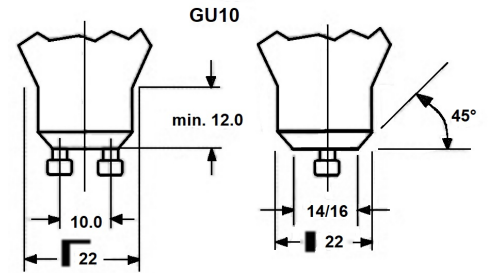
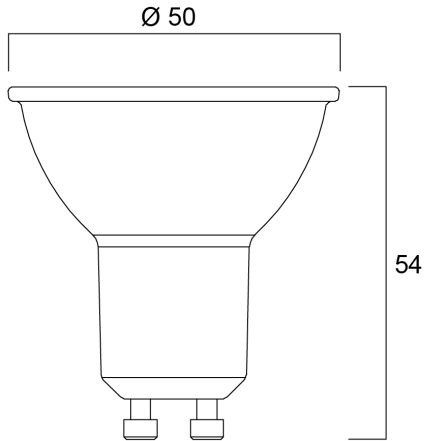
### Features

- Premium performance professional LED GU10 range with the same look and feel of traditional halogen GU10 lamp Recreates backlight effect similar to halogen dichroic lamps Full glass design - means no colours clashing between lamp and fixture Very long lifetime of up to 25,000 hours COOLFIT functionality – ensures overheat and over temperature protection High switching cycles: >100,000 High colour rendering: CRI80 Non dimmable Warranty: 5 Years

### Product Overview

Product name	RefLED Superia Retro ES50 V3 475LM 840 36 SL
Technology	LED
Watt (Rated) (W)	5
Cap/Base	GU10
Fixture rating	Open
E-number FI	4741044
Colour temperature (K)	4000
CRI (Ra)	80
Colour Consistency (SDCM)	6
Colour Variation Initial (SDCM)	6
Photobiological Risk Group	RG1
Wattage (W)	5
Product EAN number	5410288291154
Warranty	5 years

## Technical drawings



## Data table

### GENERAL DATA

Product name	RefLED Superia Retro ES50 V3 475LM 840 36 SL
Technology	LED
Watt (Rated) (W)	5
Cap/Base	GU10
Fixture rating	Open
Operating temperature range (°C)	-20°C...+50°C
Performance ambient temperature Tq (°C)	25
E-number FI	4741044
Warranty	5 years

### OPTICAL DATA

Colour temperature (K)	4000
CRI (Ra)	80
Colour Consistency (SDCM)	6

## RefLED Superia Retro ES50 V3 475LM 840 36 SL 0029115

Colour Variation Initial (SDCM)	6
Luminous Intensity (cd)	860
Photobiological Risk Group	RG1
Lumen maintenance at end of nominal life (%)	70

### ELECTRICAL DATA

Wattage (W)	5
Equivalent watt (W)	60
Primary Supply/Product voltage - min (V)	220
Control gear required	No
Inrush Current (A)	4.28
Inrush Duration ( $\mu$ s)	288
Lamp Energy Label (class)	E
Nominal Frequency (Hz)	50/60Hz

### LIFETIME DATA

Lifespan L70 B50	25000
Average life (Rated) (h)	25000

### PHYSICAL DATA

Nominal Product Diameter (mm)	50
Weight (kg)	0.05

### PACKAGING

Single packaging type	Carton
Product EAN number	5410288291154
Packaging single width (cm)	6.1
Packaging single depth (cm)	5.1
DUN14 (inner)	25410288291158
Units per inner package	6
Packaging inner length / height (cm)	9.2
Packaging inner width (cm)	16.4

## RefLED Superia Retro ES50 V3 475LM 840 36 SL 0029115

Packaging inner depth (cm)	13.1
DUN14 (outer)	15410288291151
Packaging outer length / height (cm)	20.8

### SAFETY DATA

Optimal operating condition (°C)	-20-50
Breakage cleaning instructions	Not applicable
Special purpose lamp	No
Dry applications use only	No
Suitable for household illumination	No
Safety message	None

# SYLVANIA

RefLED Superia Retro ES50 V3 475LM 840 36 SL  
0029115

## Energy label



0029115



5  
kWh/1000h



2019/2015



0029115



5  
kWh/1000h



2019/2015