

**TARA Three-hole basin mixer with pop-up waste - Brushed Durabronz (23kt Gold)**

TARA

20 710 892 Product version from 6/30/2009 to 6/25/2021



- 135mm projection
- pivotable spout 360°
- circular, air-enriched flow
- height of mixer 270 mm
- height up to aerator 161 mm
- hole diameter valve 32 mm
- hole diameter spout 35 mm
- rosette Ø 55 mm
- 2x screw-in M 10 x 1 pressure hose, leak-tested
- max. flow 7 l/min
- lead-free
- WRAS
- This product can help a building meet the requirements of Green Building Rating Systems, e.g. LEED®, BREEAM®, DGNB

Only suitable for basins with an overflow.

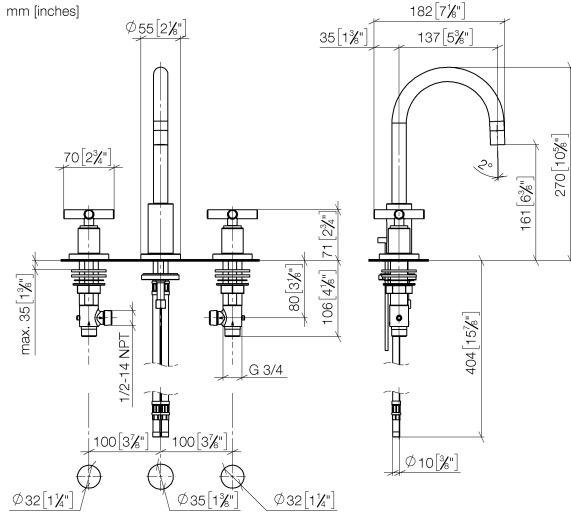
|   |                               |               |
|---|-------------------------------|---------------|
|    | Brushed Durabronz (23kt Gold) | 20 710 892-28 |
|    | Chrome                        | 20 710 892-00 |
|    | Brushed Platinum              | 20 710 892-06 |
|    | Platinum                      | 20 710 892-08 |
|    | Dark Chrome                   | 20 710 892-19 |
|    | Matte Black                   | 20 710 892-33 |
|    | Brushed Gold (PVD)            | 20 710 892-37 |
|    | Brushed Dark Brass (PVD)      | 20 710 892-39 |
|    | Brushed Bronze (PVD)          | 20 710 892-42 |
|   | Brushed Dark Bronze (PVD)     | 20 710 892-43 |
|  | Brushed Champagne (22kt Gold) | 20 710 892-46 |
|  | Champagne (22kt Gold)         | 20 710 892-47 |
|  | Brushed Chrome                | 20 710 892-93 |
|  | Brushed Dark Platinum         | 20 710 892-99 |

**Recommended miscellaneous**

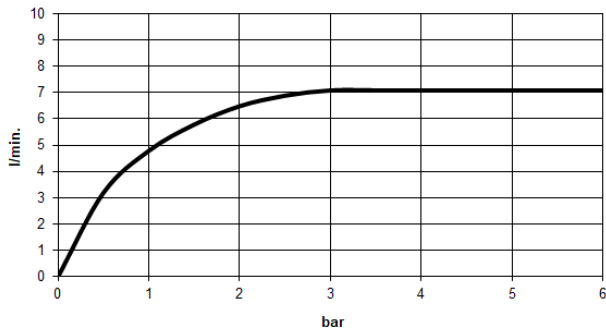


**High pressure hoses -** 12 506 970 90  
 • 2x 3/8" x 1/2" x 500mm high pressure hose

20 710 892 Product version from 6/30/2009 to 6/25/2021  
mm [inches]



**Flow rate chart**



**Codes & Standards**

|                        |                             |                          |            |
|------------------------|-----------------------------|--------------------------|------------|
| DIN 4109               | EN 200                      | Executive Order no. 1007 | ISO 3822   |
| Scottish Water Byelaws | UK Water Supply Regulations | Ü-Zeichen                | VA-Zeichen |
| XP P 41-280            |                             |                          |            |



TARA Three-hole basin mixer with pop-up waste - Brushed Durabross (23kt Gold)

TARA

---

20 710 892 Product version from 6/30/2009 to 6/25/2021

Certificates and sustainability

---

LGA\_18

ETA\_18

WRAS\_2212

ACS\_20 ACC LY

GDV\_0400

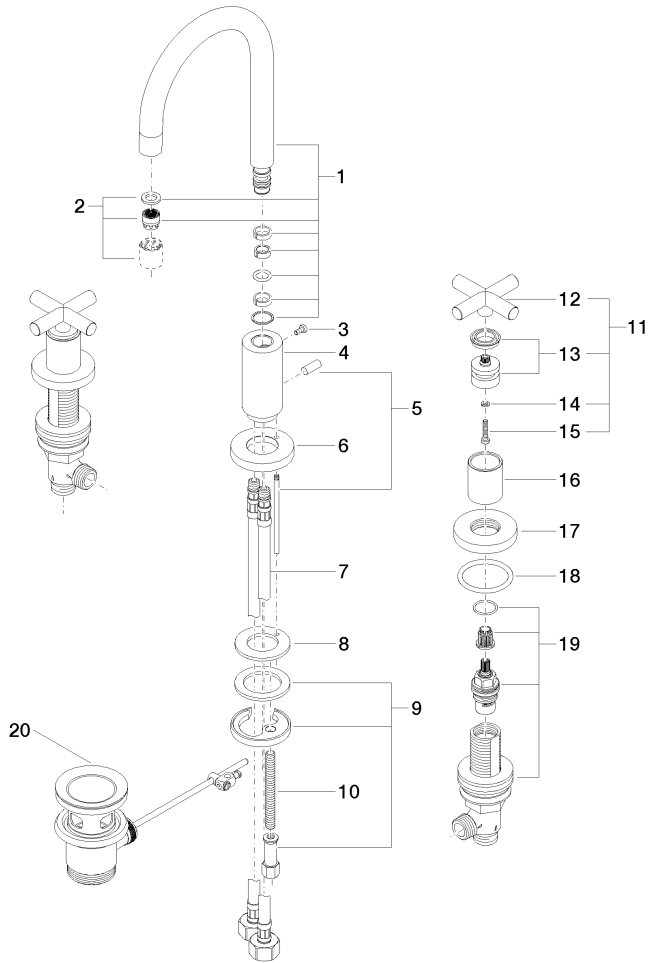
EPD-DOR-20230287

-IBA1-EN

Environmental.prod

uct-declarat

20 710 892 Product version from 6/30/2009 to 6/25/2021





# TARA Three-hole basin mixer with pop-up waste - Brushed Durabross (23kt Gold)

TARA

20 710 892 Product version from 6/30/2009 to 6/25/2021

## Spare parts list

| No.  | Item Number        | Name  | Quantity used | Delivery time |
|--|--------------------|---|---------------|---------------|
| 16   | 09 21 02 140-28    | Cover Ø 30 x 36 mm - Brushed Durabross (23kt Gold)                                    | 2.00          | 40            |
| 1  | 90 28 22 217 01-28 | Spout 135 mm, 7 l/min. - Brushed Durabross (23kt Gold)                                | 1.00          | 40            |
| 11   | 90 20 89 010 10-28 | Handle TARA - Brushed Durabross (23kt Gold)   | 2.00          | 40            |
| 18   | 90 14 10 043 00 90 | O-Ring 40,0 x 4,0 mm -  | 4.00          | 14            |
| 10   | 09 31 11 011 90    | Mounting Threaded bolt M8 x 80 mm -   | 1.00          | 14            |
| 13   | 90 12 12 007 00-28 | Handle Socket retainer Ø 29 x 26 mm - Brushed Durabross (23kt Gold)                   | 2.00          | 40            |
| 8  | 09 14 05 047 90    | Washer with drill hole Ø 48 x 27,2 x 3 mm -   | 1.00          | 14            |
| 4  | 09 11 10 087 10-28 | Connection Ø 35 x 79 mm - Brushed Durabross (23kt Gold)                               | 1.00          | 40            |
| 20   | 90 11 01 001 00-28 | Basin Waste - Brushed Durabross (23kt Gold)   | 1.00          | 40            |
| 6  | 09 28 10 133-28    | Rosette Ø 59 x Ø 27,5 x 9 mm - Brushed Durabross (23kt Gold)                          | 1.00          | 40            |
| 5  | 04 20 89 030 80-28 | Pull rod for pop-up waste with button 17 x 158 x 7 mm - Brushed Durabross (23kt Gold) | 1.00          | 40            |
| 14   | 90 30 11 029 00 90 | Connection Spring lock washer Ø 4 -   | 2.00          | 14            |
| 12   | 09 20 89 010-28    | Handle 70 x 70 x 22,5 mm - Brushed Durabross (23kt Gold)                              | 2.00          | -             |
| Spare part can no longer be ordered, please order the replacement item |                    |   |               |               |
|  | 90208901010-28     | Handle TARA - Brushed Durabross (23kt Gold)   |               |               |
| 2  | 90 23 01 028 03-28 | Aerator M18xIG 7,0 l/min. - Brushed Durabross (23kt Gold)                             | 1.00          | 40            |
| 15   | 90 30 30 075 00 90 | Mounting Cylinder head screw with hexagon socket Low profile M4 x 20 mm -             | 2.00          | 14            |
| 9  | 04 30 11 038 00 90 | Mounting with O-ring Ø40 x 4mm Ø 52 x 1,5 mm -  | 1.00          | 14            |
| 19   | 90 17 11 040 51 90 | Deck valve clockwise closing 1/2" -   | 2.00          | 14            |
| 7  | 04 30 04 019 00 90 | High pressure hose with sleeve nut M10x1 x 1/2" x 420 mm -                            | 2.00          | 14            |
| 3  | 09 30 30 057 90    | Mounting Cylinder head screw with hexagon socket with low profile M4 x 8 mm -         | 1.00          | 14            |