

Data Sheet | Item Number: 879-3041

Energy meter (MID25); for transformer connection; 1 A / 5 A; 3x230/400V; 50Hz; MID and METAS; Modbus® and M-Bus; 2 x S0 interface; 2PU CT

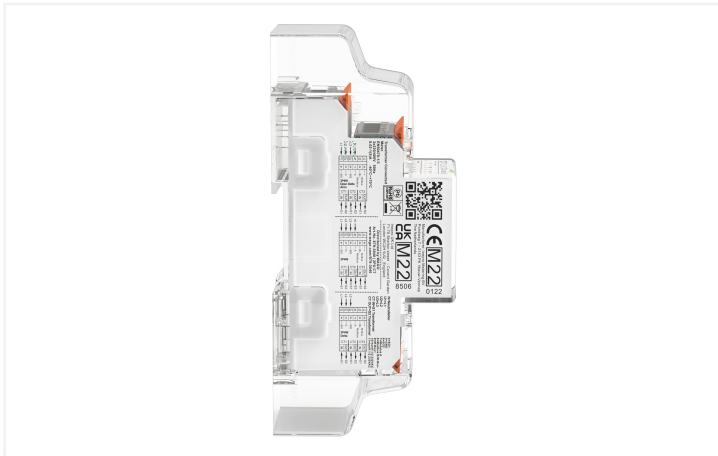
<https://www.wago.com/879-3041>



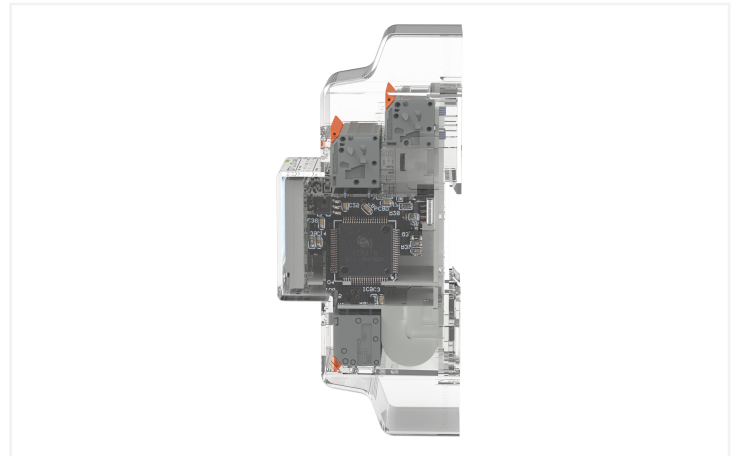
Similar to illustration



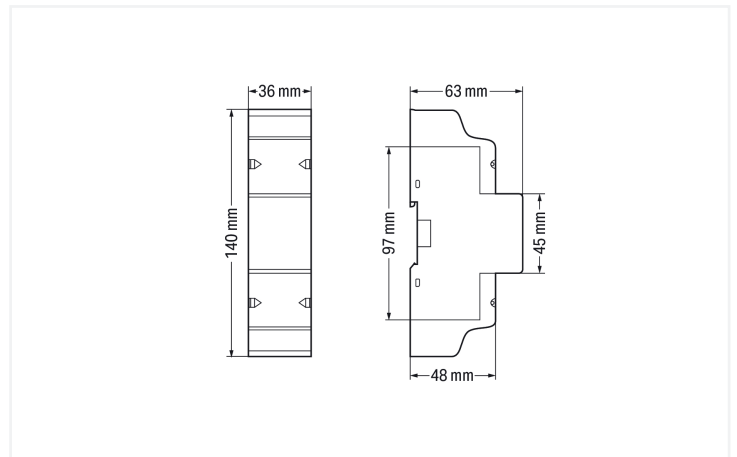
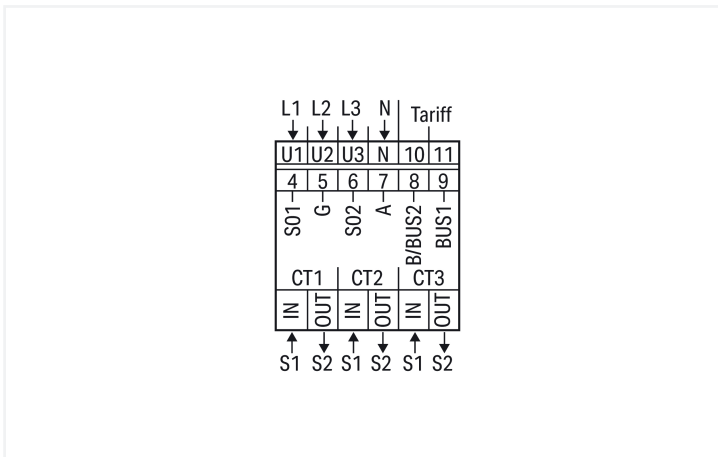
Similar to illustration



Similar to illustration



Similar to illustration



Short description:

To optimize energy consumption, comprehensive energy measurement is essential. WAGO offers energy meters that simplify this task and provide several key advantages. They feature lever-operated push-in connection technology for fast and easy wiring. The version for current transformers is only 35 mm wide, saving valuable space in the control cabinet. In addition to measuring active and reactive energy, the meters also record grid frequency, current, voltage and power across all phases. The large illuminated display provides a clear overview of all energy quality parameters.

Features:

- Push-in CAGE CLAMP® and lever save time at every stage
- Real space savings: 35 mm wide (2PU CT)
- Measurement of supply and consumption
- Energy measurement in four tariffs
- The communications pro: M-Bus/Modbus® interface and two S0 pulse outputs
- Full transparency at a glance: displays energy quality parameters on an illuminated full-format display
- Intuitive configuration: touch-sensitive controls and configuration app via *Bluetooth*®

Technical data**Configuration**

| | |
|-----------------------|--|
| Configuration options | Touch-sensitive controls Configuration app via <i>Bluetooth</i> ® |
|-----------------------|--|

Input

| | |
|-----------------------------------|--|
| Input signal type | Voltage Current |
| Network configuration | Two-wire, three-wire and four-wire networks |
| Reference current I_{ref} | 1 A |
| Current transformer (secondary) | 1 A 5 A |
| Current transformer ratio | 1:1 ... 9999 : 1 / 5:5 ... 9995 : 5 |
| Measured variable | Voltage Current Electrical output Mains frequency |
| Nominal input voltage $U_{i,nom}$ | 3 x 230 ... 400 VAC |
| Input voltage range | ±20 % |
| Input current I_i | ≤ 5 A |
| Frequency range | 45 ... 60 Hz |

Communication

| | |
|--------------------|---|
| Communications | Modbus® M-Bus <i>Bluetooth</i> ® |
| Interface | RS-485 (2-wire); 2 x S0 interfaces (configurable) |
| Indicators | LCD with backlight |
| Rate control input | 230 VAC |

Signal Processing

| | |
|---------------------------------|--|
| Measured variables (calculated) | Active and reactive energy in supply and reference direction |
| Measurement type (load profile) | No |
| Measured value acquisition | for transformer connection |

Measurement Error

| | |
|-----------------------------|---|
| Accuracy class | Class B (= 1 % error); Active energy per EN 50470-3 |
| Calibration validity period | 8 years |

Power Supply

| | |
|---|-------------------------|
| Power supply type | Via measurement circuit |
| Power consumption P_{max} (phase; active power) | 2 W |
| Power consumption P_{max} (phase; apparent power) | 10 VA |

Safety and protection

| | |
|---------------------------------------|---|
| Dielectric strength | 4 kV; 1 min |
| Impulse withstand voltage (1.2/50 μs) | 6 kV |
| Pollution degree | 2 |
| Protection class | II |
| Protection type | IP51 / IP20; IP51 (front side); IP20 (connection) |

Connection Data

| | |
|---------------------|--------------------|
| Connection position | Output bottom (PU) |
| Design | 2PU CT |

Connection 1

| | |
|---|---|
| Connection type | Voltage/current |
| Connection technology | Push-in CAGE CLAMP® |
| WAGO connector | WAGO 2604 Series |
| Actuation type | Lever |
| Strip length | 9 ... 11 mm / 0.35 ... 0.43 inches |
| Solid conductor | 0.2 ... 4 mm ² / 24 ... 12 AWG |
| Fine-stranded conductor | 0.2 ... 4 mm ² / 24 ... 12 AWG |
| Fine-stranded conductor; with insulated ferrule | 0.25 ... 2.5 mm ² |
| Fine-stranded conductor; with uninsulated ferrule | 0.25 ... 2.5 mm ² |

Connection 2

| | |
|---|---|
| Connection type | Communication/rate control input |
| Connection technology | Push-in CAGE CLAMP® |
| WAGO connector | WAGO 2604 Series |
| Actuation type | Lever |
| Strip length | 9 ... 11 mm / 0.35 ... 0.43 inches |
| Solid conductor | 0.2 ... 4 mm ² / 24 ... 12 AWG |
| Fine-stranded conductor | 0.2 ... 4 mm ² / 24 ... 12 AWG |
| Fine-stranded conductor; with insulated ferrule | 0.25 ... 2.5 mm ² |
| Fine-stranded conductor; with uninsulated ferrule | 0.25 ... 2.5 mm ² |

Physical data

| | |
|-------------------|---------------------------|
| Width | 36 mm / 1.417 inches |
| Height | 97 mm / 3.82 inches |
| Depth | 63 mm / 2.48 inches |
| Note (dimensions) | Height with cover: 140 mm |

Mechanical data

| | |
|----------------|--------------------------|
| Mounting type | DIN-35 rail |
| Housing design | DIN-rail-mount enclosure |

Material data

| | |
|------------------|---------|
| Housing material | PC 940A |
| Fire load | 0 MJ |
| Weight | 165 g |

Environmental requirements

| | |
|---------------------------------|-----------------------------|
| Ambient temperature (operation) | -40 ... +70 °C |
| Relative humidity | ≤ 75 % (for storage ≤ 95 %) |

Standards and Specifications

| | |
|--------------------------|--------------|
| Conformity marking | CE |
| Standards/specifications | EN 50470-1/3 |
| Accounting guideline | MID METAS |

Commercial data

| | |
|-----------------------|-------------|
| PU (SPU) | 1 pcs |
| Packaging type | Box |
| Country of origin | CN |
| Customs tariff number | 90283019000 |

Product Classification

| | |
|-----------|----------------------|
| UNSPSC | 41113630 |
| ETIM 9.0 | EC001102 |
| ETIM 10.0 | EC001102 |
| ECCN | NO US CLASSIFICATION |

Environmental Product Compliance

| | |
|------------------------|-------------------------|
| RoHS Compliance Status | Compliant, No Exemption |
|------------------------|-------------------------|


Approvals / Certificates

Declarations of conformity and manufacturer's declarations

| Approval | Standard | Certificate Name |
|---|----------|------------------|
| EU-Declaration of Confor- mity WAGO GmbH & Co. KG | - | - |

Downloads

Environmental Product Compliance

| |
|--|
| Compliance Search |
| Environmental Product Compliance 879-3041  |

Documentation

Manual

| | | | |
|---|---------------------|-------------------|--|
| Product Manual WAGO Energy Meters (MID) | V 1.8 13.02.2026 | pdf 4367.28 KB | |
|---|---------------------|-------------------|--|

1 Compatible Products

1.1 Optional Accessories

1.1.1 Communication

1.1.1.1 Communication Module



[Item No.: 879-9000](#)

Communication module; Modbus TCP

1.1.2 Current transformer

1.1.2.1 Plug-in current transformer



[Item No.: 855-305/300-509](#)

Plug-in current transformer; Primary rated current 300 A; Secondary rated current: 5 A; Rated power: 5 VA; Accuracy class: 0.5; Conformity assessed



[Item No.: 855-405/300-509](#)

Plug-in current transformer; Primary rated current 300 A; Secondary rated current: 5 A; Rated power: 5 VA; Accuracy class: 0.5; Conformity assessed



[Item No.: 855-305/750-509](#)

Plug-in current transformer; Primary rated current 750 A; Secondary rated current: 5 A; Rated power: 5 VA; Accuracy class: 0.5; Conformity assessed



[Item No.: 855-405/750-509](#)

Plug-in current transformer; Primary rated current 750 A; Secondary rated current: 5 A; Rated power: 5 VA; Accuracy class: 0.5; Conformity assessed



[Item No.: 855-305/100-209](#)

Plug-in current transformer; Primary rated current: 100 A; Secondary rated current: 5 A; Rated power: 2.5 VA; Accuracy class: 0.5; Conformity assessed



[Item No.: 855-305/150-209](#)

Plug-in current transformer; Primary rated current: 150 A; Secondary rated current: 5 A; Rated power: 2.5 VA; Accuracy class: 0.5; Conformity assessed



[Item No.: 855-405/200-209](#)

Plug-in current transformer; Primary rated current: 200 A; Secondary rated current: 5 A; Rated power: 2.5 VA; Accuracy class: 0.5; Conformity assessed



[Item No.: 855-305/200-509](#)

Plug-in current transformer; Primary rated current: 200 A; Secondary rated current: 5 A; Rated power: 5 VA; Accuracy class: 0.5; Conformity assessed



[Item No.: 855-405/250-209](#)

Plug-in current transformer; Primary rated current: 250 A; Secondary rated current: 5 A; Rated power: 2.5 VA; Accuracy class: 0.5; Conformity assessed



[Item No.: 855-305/250-509](#)

Plug-in current transformer; Primary rated current: 250 A; Secondary rated current: 5 A; Rated power: 5 VA; Accuracy class: 0.5; Conformity assessed



[Item No.: 855-305/400-509](#)

Plug-in current transformer; Primary rated current: 400 A; Secondary rated current: 5 A; Rated power: 5 VA; Accuracy class: 0.5; Conformity assessed



[Item No.: 855-405/400-509](#)

Plug-in current transformer; Primary rated current: 400 A; Secondary rated current: 5 A; Rated power: 5 VA; Accuracy class: 0.5; Conformity assessed



[Item No.: 855-305/500-509](#)

Plug-in current transformer; Primary rated current: 500 A; Secondary rated current: 5 A; Rated power: 5 VA; Accuracy class: 0.5; Conformity assessed



[Item No.: 855-405/500-509](#)

Plug-in current transformer; Primary rated current: 500 A; Secondary rated current: 5 A; Rated power: 5 VA; Accuracy class: 0.5; Conformity assessed



[Item No.: 855-305/600-509](#)

Plug-in current transformer; Primary rated current: 600 A; Secondary rated current: 5 A; Rated power: 5 VA; Accuracy class: 0.5; Conformity assessed



[Item No.: 855-405/600-509](#)

Plug-in current transformer; Primary rated current: 600 A; Secondary rated current: 5 A; Rated power: 5 VA; Accuracy class: 0.5; Conformity assessed

Subject to changes. Please also observe the further product documentation!

Current addresses can be found at: www.wago.com