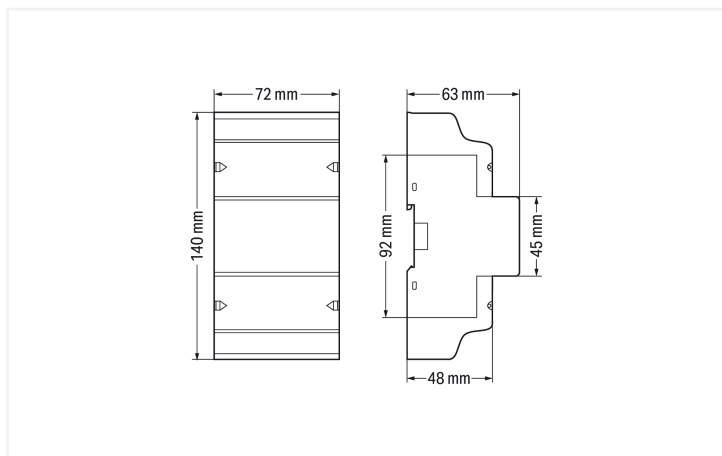
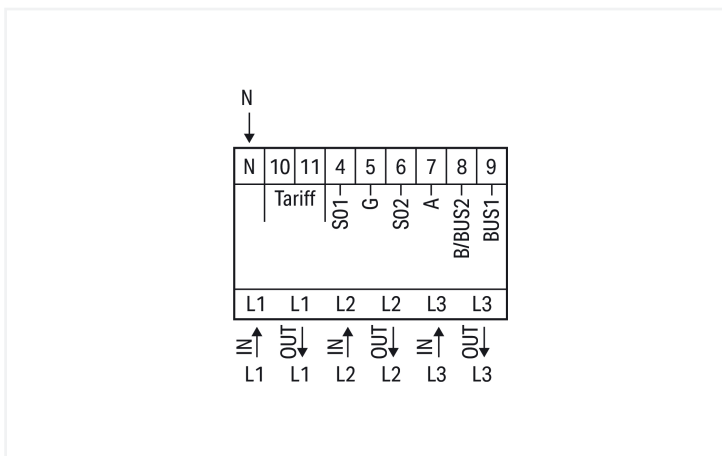
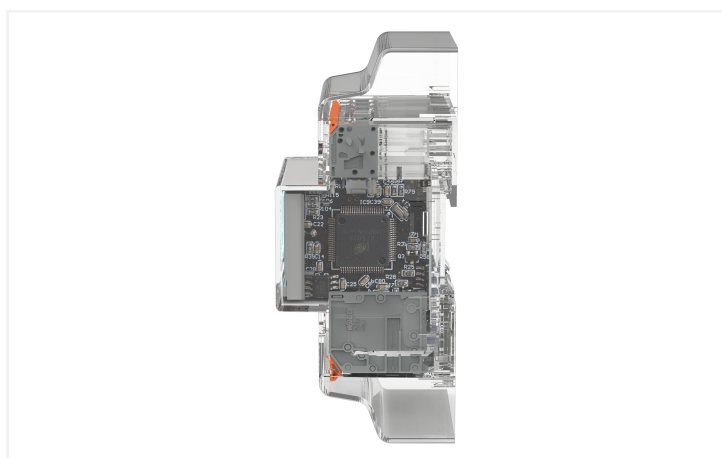


Data Sheet | Item Number: 879-3001

Energy meter (MID25); for direct connection; 65A; 3x230/400V; 50Hz; MID and METAS; Modbus® and M-Bus; 2 x S0 interface; 4PU

<https://www.wago.com/879-3001>



Short description:

Optimizing energy consumption requires comprehensive energy measurement. WAGO's portfolio has energy meters that simplify this task while offering several key advantages. They use push-in connection technology with a lever, making them connect quickly and easily. The devices have a width of just 72 mm for direct measurement. These slim profiles save a tremendous amount of control cabinet space. In addition to the values for active and reactive energy, the energy meters also record the mains frequency, as well as current, voltage and power for all phases. And the user can conveniently scan all of these energy characteristics at a glance on a large, illuminated display.

Features:

- Push-in CAGE CLAMP® and lever save time at every stage
- Real space savings: 72 mm wide (4PU)
- The communications pro: M-Bus/Modbus® interface and two S0 pulse outputs
- Full transparency at a glance: display energy quality characteristics on an illuminated full-format display
- Intuitive configuration: touch-sensitive controls and configuration app via Bluetooth®

Technical data

Configuration

Configuration options	Touch-sensitive controls Configuration app via <i>Bluetooth</i> ®
-----------------------	--

Input

Input signal type	Voltage Current
Network configuration	Two-wire, three-wire and four-wire networks
Reference current I_{ref}	5 A
Measured variable	Voltage Current Electrical output Mains frequency
Nominal input voltage $U_{in, nom}$	3 x 230 ... 400 VAC
Input voltage range	±20 %
Input current I_i	≤ 65 A
Frequency range	45 ... 60 Hz

Communication

Communications	Modbus® M-Bus <i>Bluetooth</i> ®
Interface	RS-485 (2-wire); 2 x S0 interfaces (configurable)
Indicators	LCD with backlight
Rate control input	230 VAC

Signal Processing

Measured variables (calculated)	Active and reactive energy in supply and reference direction
Measurement type (load profile)	No
Measured value acquisition	for direct connection

Measurement Error

Accuracy class	Class B (= 1 % error); Active energy per EN 50470-3
Calibration validity period	8 years

Power Supply

Power supply type	Via measurement circuit
Power consumption P_{max} (phase; active power)	2 W
Power consumption P_{max} (phase; apparent power)	10 VA

Safety and protection

Dielectric strength	4 kV; 1 min
Impulse withstand voltage (1.2/50 μs)	6 kV
Pollution degree	2
Protection class	II
Protection type	IP51 / IP20; IP51 (front side); IP20 (connection)

Connection Data

Connection position	Output bottom (PU)
Design	4PU

Connection 1

Connection type	Voltage/current
Connection technology	Push-in CAGE CLAMP®
WAGO connector	WAGO 2616 Series
Actuation type	Lever
Strip length	18 ... 20 mm / 0.71 ... 0.79 inches
Solid conductor	0.75 ... 16 mm² / 18 ... 4 AWG
Fine-stranded conductor	0.75 ... 25 mm² / 18 ... 4 AWG

Connection 1

Fine-stranded conductor; with insulated ferrule 0.75 ... 16 mm²

Fine-stranded conductor; with uninsulated ferrule 0.75 ... 16 mm²

Connection 2

Connection type Communication/rate control input

Connection technology Push-in CAGE CLAMP®

WAGO connector WAGO 2604 Series

Actuation type Lever

Strip length 9 ... 11 mm / 0.35 ... 0.43 inches

Solid conductor 0.2 ... 4 mm² / 24 ... 12 AWG

Fine-stranded conductor 0.2 ... 4 mm² / 24 ... 12 AWG

Fine-stranded conductor; with insulated ferrule 0.25 ... 2.5 mm²

Physical data

Width 72 mm / 2.835 inches

Height 140 mm / 5.512 inches

Depth 63 mm / 2.48 inches

Note (dimensions) Height without cover: 92 mm

Mechanical data

Mounting type DIN-35 rail

Housing design DIN-rail-mount enclosure

Material data

Housing material PC 940A

Fire load 0 MJ

Weight 280 g

Environmental requirements

Ambient temperature (operation) -40 ... +70 °C

Relative humidity ≤ 75 % (for storage ≤ 95 %)

Standards and Specifications

Conformity marking CE

Standards/specifications EN 50470-1/3

Accounting guideline MID
METAS

Commercial data

PU (SPU) 1 pcs

Packaging type Box

Country of origin CN

Customs tariff number 90283019000



Product Classification

UNSPSC	41113630
ETIM 9.0	EC001102
ETIM 10.0	EC001102
ECCN	NO US CLASSIFICATION

Environmental Product Compliance

RoHS Compliance Status	Compliant, No Exemption
------------------------	-------------------------

Approvals / Certificates

Declarations of conformity and manufacturer's declarations

Approval	Standard	Certificate Name
EU-Declaration of Conformity WAGO GmbH & Co. KG	-	-

Downloads

Environmental Product Compliance

Compliance Search
Environmental Product Compliance 879-3001 ↓

Documentation

Manual			
Product Manual WAGO Energy Meters (MID)	V 1.8 13.02.2026	pdf 4367.28 KB	↓

Instruction Leaflet			
Energiezähler (MID)	V 1.02 10.10.2023	pdf 721.86 KB	↓

CAD/CAE-Data

CAD data
2D/3D Models 879-3001 ↓

1 Compatible Products

1.1 Optional Accessories

1.1.1 Communication

1.1.1.1 Communication Module



Item No.: 879-9000

Communication module; Modbus TCP