

# Concord

## Raiden IP66 21KLM 830 Asymmetric Wide DALI 2824042



### Features

- Outdoor and indoor floodlight range with in house design, comes complete with 1m flying lead and adjustable bracket, aluminium housing, RAL 9022 - Pearl light grey, clear glass diffuser, IP66, IK08, Class I, 3000K, DALI dimmable, 20100lm, 157W, 128lm/W, CRI80, Asymmetric Wide beam angle 110\*50°, 100000 hrs L90B50 lifespan, 511x319x76mm (LxWxH) dimensions, 6.8kg weight. Ball-impact-resistance according to DIN57710-13 VDE 0710 13/5.81, DIN 18032-3 only with the separate wire guard accessory fitted.

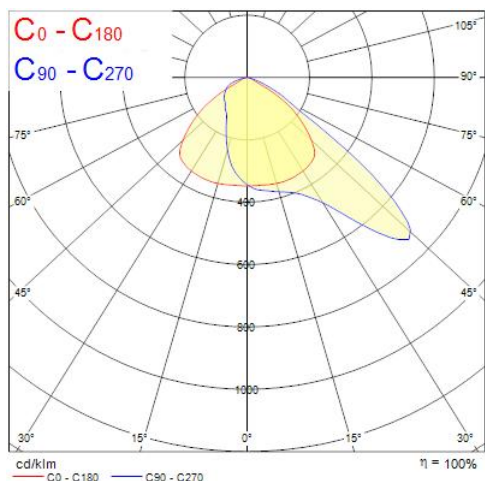
### Product Overview

Product name	Raiden IP66 21KLM 830 Asymmetric Wide DALI
Technology	LED
Cap/Base	N/A
Housing	Aluminium
Fixture luminous flux (lm)	20100
Luminaire efficacy (lm/W)	128
Colour temperature (K)	3000
Light colour	Warm White
CRI (Ra)	80
Colour Variation Initial (SDCM)	3
Beam Angle (°)	110*50
Photobiological Risk Group	RG1
Total power consumption (W)	157
Electrical protection	Class I
Housing colour	RAL 9022 - Pearl light grey
IP rating	IP66
IK rating	IK08
Product EAN number	5025768240425
Warranty	5 years

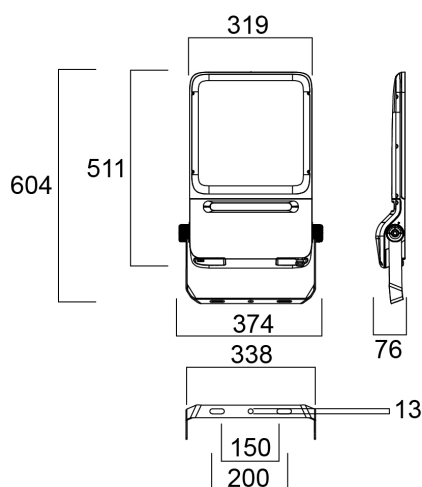
# Concord

## Raiden IP66 21KLM 830 Asymmetric Wide DALI 2824042

### Photometry



### Technical drawings



### Data table

#### GENERAL DATA

Product name

Raiden IP66 21KLM 830 Asymmetric Wide DALI

# Concord

## Raiden IP66 21KLM 830 Asymmetric Wide DALI 2824042

Technology	LED
Cap/Base	N/A
Housing	Aluminium
Operating temperature range (°C)	-40°C...+50°C
Performance ambient temperature Tq (°C)	25
Warranty	5 years

### OPTICAL DATA

Fixture luminous flux (lm)	20100
Luminaire efficacy (lm/W)	128
Colour temperature (K)	3000
Light colour	Warm White
CRI (Ra)	80
Colour Variation Initial (SDCM)	3
Beam Angle (°)	110*50
Photobiological Risk Group	RG1

### ELECTRICAL DATA

Total power consumption (W)	157
Lamp power factor	0.95
Electrical protection	Class I
Control gear required	No
Drive current (mA)	3200
Inrush Current (A)	125
Inrush Duration (µs)	200
Glow Wire Test (°C)	850
Energy Efficiency Class (A->G) of contained light source	E
Nominal Frequency (Hz)	50/60Hz
Max. products per 10A C Breaker	6
Max. products per 20A B Breaker	4
Mains surge immunity (differential mode -> L-N) (kV)	6

# Concord

## Raiden IP66 21KLM 830 Asymmetric Wide DALI 2824042

Mains surge immunity (common mode -> L/N - GND) (kV)	10
--	----

### LIFETIME DATA

Lifespan L70 B50	100000
Lifespan L80 B20	94000
Lifespan L90 B50	100000

### PHYSICAL DATA

Housing colour	RAL 9022 - Pearl light grey
IP rating	IP66
IK rating	IK08
Nominal Product Length (mm)	511
Nominal Product Width (mm)	319
Weight (kg)	6.8

### PACKAGING

Single packaging type	Carton
Product EAN number	5025768240425
Packaging single width (cm)	41.5
Packaging single depth (cm)	14.0
DUN14 (outer)	05025768240425
Packaging outer length / height (cm)	56.0

### SAFETY DATA

Optimal operating condition (°C)	-40-50
Special purpose lamp	No
Dry applications use only	No
Suitable for household illumination	No