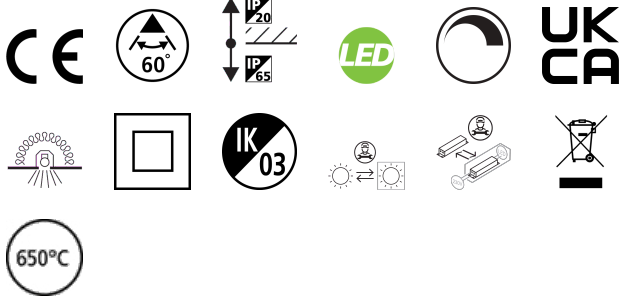


START Spot Fire 540lm 3CCT IP65 WH

Item No: 0059830

SYLVANIA

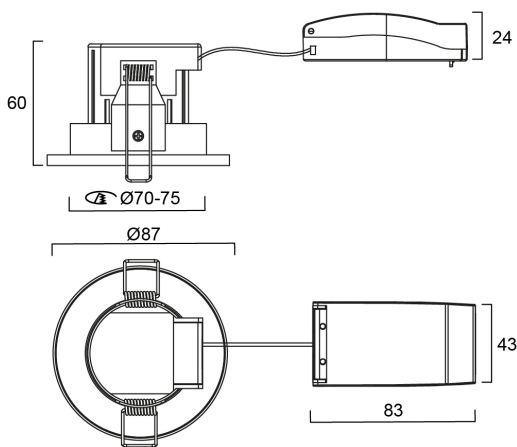
START



Integrated LED fire rated recessed spotlight, white bezel colour, three temperature light colours selectable: 3000K, 4000K, 6500K. Lumen output 540lm (4000K), 5.5W, dimmable trailing/leading edge, 60° degree beam angle, polycarbonate and steel body with aluminium bezel, low profile 60mm recessed depth, IP65 frontal degree, IK03, loop-in/loop-out terminals for fast wiring, 87mm bezel diameter, 70-75mm cutout, clear lens. . Fire rated 30,60,90 minutes.

Technical Assets

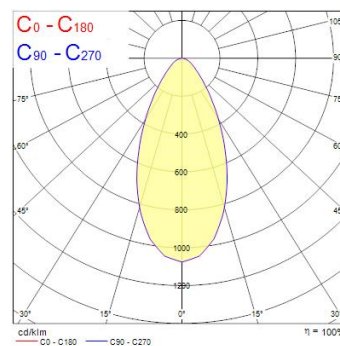
Dimensions (mm)



Photometrics

Distance [m]	Cone diameter [m]	E10° [lx]	E15° [lx]	E30° [lx]	E45° [lx]	E60° [lx]	E75° [lx]	E90° [lx]
0.5	0.47	208	138	54	31	21	15	11
1.0	0.93	61	41	16	9	6	4	3
1.5	1.40	28	18	7	4	3	2	1.5
2.0	1.87	13	8	3	2	1.5	1	0.7
2.5	2.33	8	5	2	1.5	1	0.7	0.5
3.0	2.80	5	3	1.5	1	0.7	0.5	0.4

Distance [m] Cone diameter [m] Illuminance [lx]
 C0 - C180 (Half beam angle: 50.0°)



START Spot Fire 540lm 3CCT IP65 WH

Item No: 0059830

SYLVANIA

General data

Product name	START Spot Fire 540lm 3CCT IP65 WH
Technology	LED
Cap/Base	N/A
Housing	Metal/plastic
Mount	Ceiling recessed mounting
General application	Hospitality, Residential & Consumer, Retail
Operating temperature range (°C)	-10°C...+40°C
Performance ambient temperature Tq (°C)	25
ETIM Class	EC001744
Warranty	3 years

Optical data

Useful luminous flux (Φ_{use})	540
Fixture luminous flux (lm)	540
Luminaire efficacy (lm/W)	98
Colour Code	840
Light colour	Neutral White
CRI (Ra)	80
Colour Variation Initial (SDCM)	SDCM6
Beam Angle (°)	60
Distribution type	Symmetric
Photobiological Risk Group	RG0

Electrical data

Total power consumption (W)	5.5
Primary Supply/Product voltage - min (V)	220
Primary Supply/Product voltage - max (V)	240
Lamp power factor	0.9
THD (at 230 V, 50 Hz, full load, at 100% dimming level) \leq xx.x %	25
Electrical protection	Class II
Control gear type	LED driver constant current
Dimmable	Yes
Dimming method	Mains: leading / trailing edge
Minimum dimming level (%)	10
Min. drive current (mA)	14
Max. drive current (mA)	135
Drive current - Range (mA)	14mA / 135mA
Inrush Current (A)	10
Inrush Duration (μ s)	150
Energy Efficiency Class (A->G) of contained light source	E
Nominal Frequency (Hz)	50/60Hz
LED Flickering Rate	Medium (21% - 40%)
Max. products per 10A C Breaker	50
Max. products per 13A C Breaker	65
Max. products per 16A C Breaker	80
Max. products per 20A C Breaker	100
Max. products per 10A B Breaker	35
Max. products per 13A B Breaker	45
Max. products per 16A B Breaker	56
Max. products per 20A B Breaker	70
Connectable conductor cross section - Min (mm ²)	0.75
Connectable conductor cross section - Max (mm ²)	1.5

START Spot Fire 540lm 3CCT IP65 WH

Item No: 0059830

SYLVANIA

Lifetime data

Lifespan L70 B50	124000
Lifespan L80 B20	59000
Lifespan L90 B10	27000

Physical data

Housing colour	RAL 9003 - Signal white
IP rating	IP65/20
IK rating	IK03
Diffuser finish	Other
Diffuser material	None
Reflector finish	Not Applicable
Nominal Product Height (mm)	60
Nominal Product Diameter (mm)	87
Weight (kg)	0.27
Recessed Depth (mm)	55

Packaging

Product EAN number	5410288598307
Packaging single length / height (cm)	10.5
Packaging single width (cm)	7.0
Packaging single depth (cm)	10.5
DUN14 (inner)	15410288598304
Units per outer package	50
Packaging outer length / height (cm)	54.5
Packaging outer width (cm)	23.0
Packaging outer depth (cm)	37.0

Safety data

Glow Wire Test (°C)	650
Optimal operating condition (°C)	-10-40