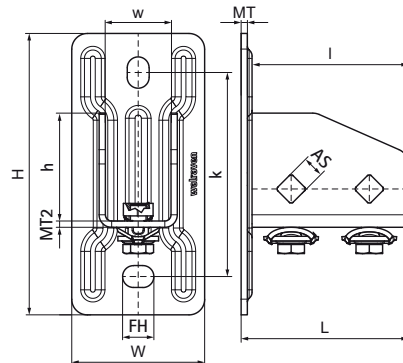
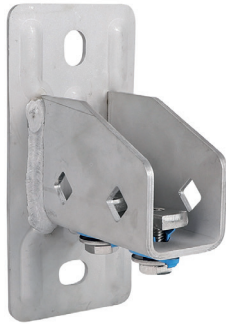


Walraven RapidStrut® Stainless Steel Base Plate G2

(M5105)

base foot to connect fixing rails



Features & benefits

- flexible base plate for Walraven RapidStrut® rails
- suitable for all Walraven RapidStrut® rail up to 82mm height
- open side of rails 41x41 can be turned to all sides
- at high loads we advise to install with throughbolts
- timesaving with pre-assembled fasteners
- material: stainless steel 1.4401/1.4404 (A4) - EN10088, AISI 316/316L; spring(s) made of of POM (polyoxymethylene), blue (according to RAL 5015)



Product Number	NRF Number	For Rail Type	Total Height	Total Width	Total Length	Width	Height	Length	Heart To Heart Distance	Anchoring Slot	Fixing Hole	Material Thickness	Material Thickness 2	Maximum Allowed Load Faz
Reference Letter			H	W	L	w	h	l	k	AS	FH	MT	MT2	F _{0,2}
Unit description			mm	mm	mm	mm	mm	mm	mm	mm	mm	mm	mm	N
665875400	3489276	41x21, 41x41	180	85	107	42	69	100	130.5	20x14	13.8	4.00	4	3,636