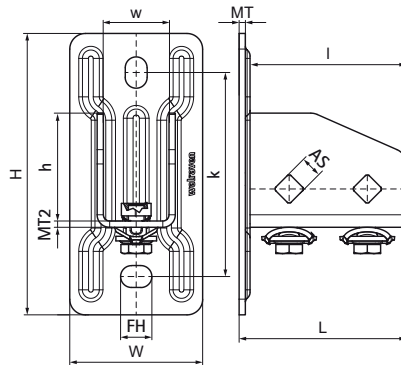


Walraven RapidStrut® Stainless Steel Base Plate G2

(M5105)

base foot to connect fixing rails



Features & benefits

- flexible base plate for Walraven RapidStrut® rails
- suitable for all Walraven RapidStrut® rail up to 82mm height
- open side of rails 41x41 can be turned to all sides
- at high loads we advise to install with throughbolts
- timesaving with pre-assembled fasteners
- material: stainless steel 1.4401/1.4404 (A4) - EN10088, AISI 316/316L; spring(s) made of of POM (polyoxymethylene), blue (according to RAL 5015)



| Product Number | VVS Number | For Rail Type | Total Height | Total Width | Total Length | Width | Height | Length | Heart To Heart Distance | Anchoring Slot | Fixing Hole | Material Thickness | Material Thickness 2 | Maximum Allowed Load Faz |
|------------------|------------|---------------|--------------|-------------|--------------|-------|--------|--------|-------------------------|----------------|-------------|--------------------|----------------------|--------------------------|
| Reference Letter | | | H | W | L | w | h | l | k | AS | FH | MT | MT2 | F _{0,z} |
| Unit description | | | mm | mm | mm | mm | mm | mm | mm | mm | mm | mm | mm | N |
| 665875400 | 18041191 | 41x21, 41x41 | 180 | 85 | 107 | 42 | 69 | 100 | 130.5 | 20x14 | 13.8 | 4.00 | 4 | 3,636 |