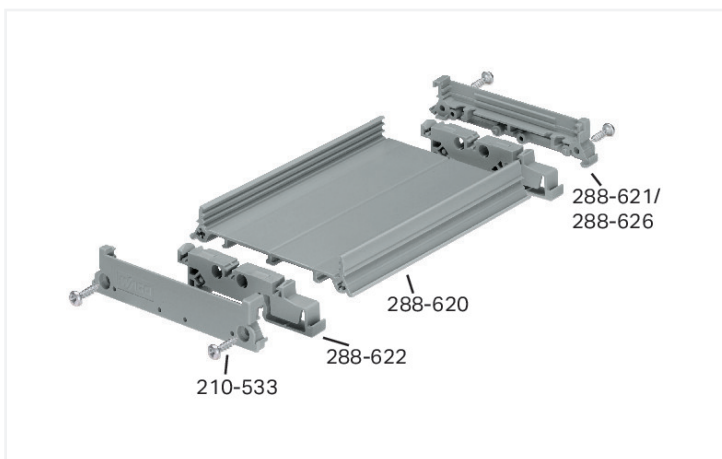


Color: ■ gray

Similar to illustration

Dimensions in mm

L1 = PCB/cover length L2 = L1 - 15.8 mm (L2 = carrier base length) L3 = L1 + 2 mm



DIN-rail-mount PCB carrier, size 2

DIN-rail mount PCB carrier, size 2 – carrier base, size 2; 24 mm long

### Physical data

Width	24 mm / 0.945 inches
Height	100 mm / 3.937 inches

### Mechanical data

Mounting type	DIN-35 rail
---------------	-------------

**Material data**

Color	gray
-------	------

**Commercial data**

Product Group	6 (INTERFACE ELECTRONIC)
PU (SPU)	25 pcs
Packaging type	Box
Country of origin	DE
GTIN	4045454363161
Customs tariff number	85472000900

**Product Classification**

UNSPSC	39121702
eCl@ss 10.0	27-18-27-02
eCl@ss 9.0	27-18-27-02
ETIM 9.0	EC001031
ETIM 10.0	EC001031
ECCN	NO US CLASSIFICATION

**Environmental Product Compliance**

RoHS Compliance Status	Compliant, No Exemption
------------------------	-------------------------

**Downloads**

**Environmental Product Compliance**

Compliance Search	
Environmental Product Compliance 288-620/024-000	↓

**1 Compatible Products**

**1.1 Optional Accessories**

**1.1.1 Installation**

**1.1.1.1 Mounting accessories**



[Item No.: 210-533](#)  
Phillips screw 2.9 x 13

**1.1.1.2 Mounting carrier and mounting feet**



[Item No.: 288-627](#)  
Cover; Size 2; 1 m long; transparent



[Item No.: 288-622](#)  
Fixing foot for DIN 35 rail; gray



[Item No.: 288-626](#)  
Lateral cover; Size 2; large; 8.75 mm thick; gray



[Item No.: 288-621](#)  
Lateral cover; Size 2; small; 8.75 mm thick; gray

## 1.1.2 Marking

### 1.1.2.1 Marking strip



**Item No.: 709-196**

Marking strips; for laser printer; translucent



**Item No.: 709-177**

Marking strips; on reel; 7.5 mm wide; not stretchable; plain; snap-on type; translucent



**Item No.: 709-178**

Marking strips; on reel; 7.5 mm wide; not stretchable; plain; snap-on type; white