

Plug SCHUKO

Part number: 152062



MENNEKES
Elektrotechnik GmbH & Co. KG

Aloys-Mennekes-Straße 1
57399 Kirchhundem
GERMANY

www.MENNEKES.org

Product Description

- screw connection technology
- protection against kinking
- strain relief
- with cable gland
- with double PE-conductor acc. to German and French-Belgian standard
- for cables up to 3 x 2,5 mm², up to H07RN-F

Technical Details

Plug SCHUKO	152062
Product serie	SCHUKO
Ampere	16A
Number of poles	2p+PE
Nominal voltage AC	230V
Protection type IP	IP54
Contact carrier	standard
Connection	screw terminals
Contact screw drive	PZ1
Tightening torque connection terminal	0.5 Nm
Recommended wire end treatment for supply cable connection terminal	ferrule square gasproof crimped
Strip length jacket	35 mm
Strip length conductor	8 - 10 mm
Phase inverter	without phase inverter
Pilot contact	without pilot contact
Conductor cross-section min.	0.75 mm ²
Conductor cross-section max.	2.5 mm ²
Cable kink protection	integrated in cable gland
Protective grommet	without protective grommet
Protective cap	without protective cap
Weight (net)	66 g
Packaging unit	10 pcs
Quantity per pallet	2500 pcs

Plug SCHUKO	152062
EAN / identification number	4015394311133

Permissible ambient conditions		
	Min.	Max.
Permanent ambient temperature	-30 °C	40 °C

Material properties	
Housing	PA6 red [similar RAL 3000]
Fastening	PA6 black [similar RAL 9005]

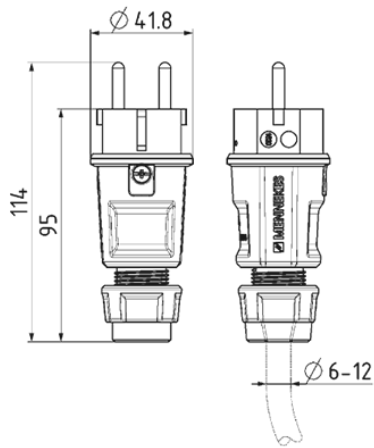
Material resistance

The material resistance overview can be found on the website in the section “Knowledge” - “Product knowledge” - “Materials”.

Material and enviromental properties	
RoHS 2011/65/EU incl. 2015/863/EU	✓
POP regulation (EU) 2019/1021	✓

Regulations and Standards	
Norm	DIN VDE 0620-2-1
Declaration of Conformity	CE

Dimensional Drawing



Drawing
2 MB 275

Dim. in mm