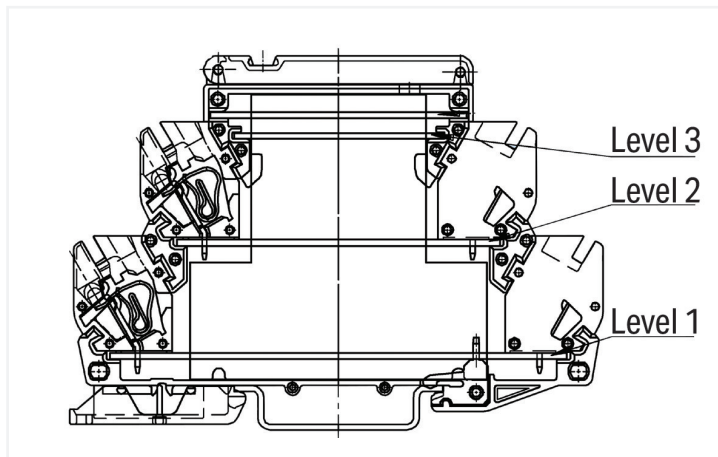
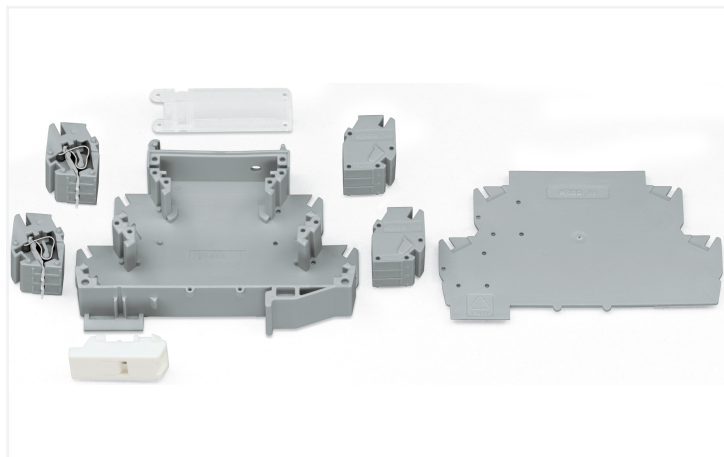


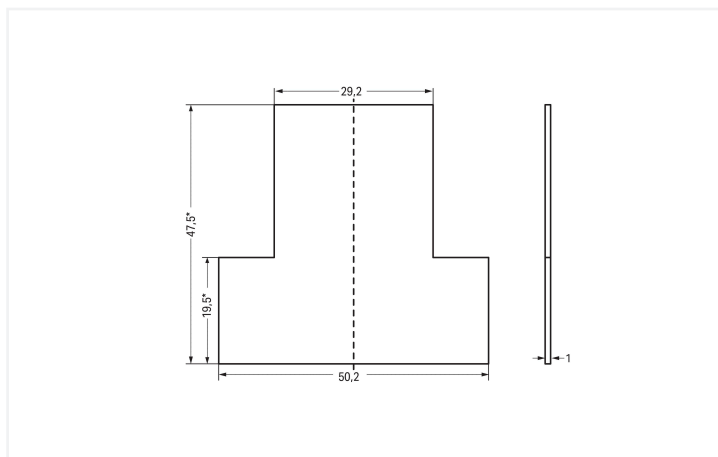
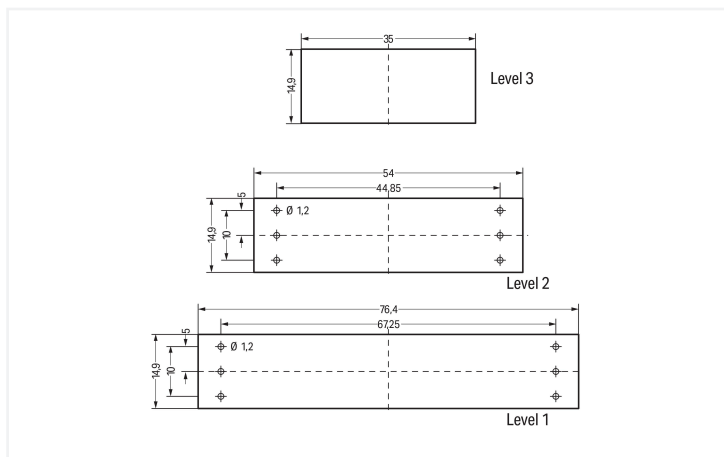
# Data Sheet | Item Number: 789-120

Housing 55 mm; gray

<https://www.wago.com/789-120>

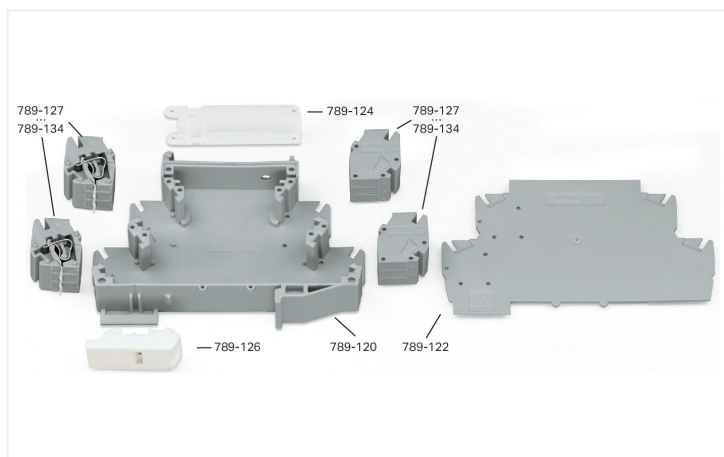


Color: ■ gray



PCB dimensions, vertical mounting: (PCB thickness max. 1.5 mm) in level 1; (PCB thickness max. 1 mm) in level 2 and 3

PCB dimensions, horizontal mounting\*less 4.5 mm when mounting a vertical PCB on level 1



Universal modular component plug housing as rail-mount terminal block – 55 mm housing

### Electrical data

Rated continuous current	6 A
--------------------------	-----

### Safety and protection

Rated Voltage	250 V
Rated impulse withstand voltage	4 kV
Pollution degree	3
Protection type	IP20

### Connection Data

Connection technology	CAGE CLAMP®
Solid conductor	0.2 ... 2.5 mm <sup>2</sup> / 24 ... 14 AWG
Fine-stranded conductor	0.2 ... 2.5 mm <sup>2</sup> / 24 ... 14 AWG
Strip length	9 ... 10 mm / 0.35 ... 0.39 inches

### Physical data

Width	17.5 mm / 0.689 inches
Height	90 mm / 3.543 inches
Depth from upper-edge of DIN-rail	55 mm / 2.165 inches

### Mechanical data

Housing design	DIN-rail-mount enclosure
Mounting type	DIN-35 rail
Mounting position	any

### Material data

Color	gray
Housing material	PA 6.6

### Commercial data

Product Group	6 (INTERFACE ELECTRONIC)
PU (SPU)	25 (1) pcs
Packaging type	Box
Country of origin	DE
GTIN	4044918112840
Customs tariff number	85472000900

### Product Classification

UNSPSC	39121324
eCl@ss 10.0	27-18-27-02
eCl@ss 9.0	27-18-27-02
ETIM 9.0	EC001031
ETIM 10.0	EC001031
ECCN	NO US CLASSIFICATION

Environmental Product Compliance	
RoHS Compliance Status	Compliant, No Exemption

## Downloads

### Environmental Product Compliance

Compliance Search	
Environmental Product Compliance 789-120	<a href="#">↓</a>

### CAD/CAE-Data

CAD data	
2D/3D Models 789-120	<a href="#">↓</a>

CAE data	
EPLAN Data Portal 789-120	<a href="#">↓</a>
WSCAD Universe 789-120	<a href="#">↓</a>
ZUKEN Portal 789-120	<a href="#">↓</a>

## 1 Compatible Products

### 1.1 Optional Accessories

#### 1.1.1 Cover

##### 1.1.1.1 DIN-rail-mount enclosure



<a href="#">Item No.: 789-124</a> Transparent cover; transparent
---

#### 1.1.2 Ferrule

##### 1.1.2.1 Ferrule



<a href="#">Item No.: 216-241</a> Ferrule; Sleeve for 0.5 mm <sup>2</sup> / 20 AWG; insulated; electro-tin plated; electrolytic copper; gastight crimped; acc. to DIN 46228, Part 4/09.90; white
---



<a href="#">Item No.: 216-242</a> Ferrule; Sleeve for 0.75 mm <sup>2</sup> / 18 AWG; insulated; electro-tin plated; electrolytic copper; gastight crimped; acc. to DIN 46228, Part 4/09.90; gray
---



<a href="#">Item No.: 216-243</a> Ferrule; Sleeve for 1 mm <sup>2</sup> / AWG 18; insulated; electro-tin plated; electrolytic copper; gastight crimped; acc. to DIN 46228, Part 4/09.90; red
---



<a href="#">Item No.: 216-244</a> Ferrule; Sleeve for 1.5 mm <sup>2</sup> / AWG 16; insulated; electro-tin plated; electrolytic copper; gastight crimped; acc. to DIN 46228, Part 4/09.90; black
---

### 1.1.3 Installation

#### 1.1.3.1 DIN-rail-mount enclosure



**Item No.: 789-126**  
Release mechanism; white

**Item No.: 789-122**  
Top cover 55 mm; gray

### 1.1.4 Jumper

#### 1.1.4.1 Jumper



**Item No.: 789-112**  
Jumper; 12-way; silver-colored

### 1.1.5 Marking

#### 1.1.5.1 Marker



**Item No.: 2009-145**  
Mini-WSB Inline; for Smart Printer; 1700 pieces on roll; stretchable 5 - 5.2 mm; plain; snap-on type; white



**Item No.: 248-502**  
Mini-WSB marking card; as card; MARKED; 1 ... 10 (10x); not stretchable; Horizontal marking; snap-on type; white



**Item No.: 248-566**  
Mini-WSB marking card; as card; MARKED; 1 ... 50 (2x); not stretchable; Horizontal marking; snap-on type; white



**Item No.: 248-503**  
Mini-WSB marking card; as card; MARKED; 11 ... 20 (10x); not stretchable; Horizontal marking; snap-on type; white



**Item No.: 248-506**  
Mini-WSB marking card; as card; MARKED; 41 ... 50 (10x); not stretchable; Horizontal marking; snap-on type; white



**Item No.: 248-452**  
Mini-WSB marking card; as card; MARKED; K (100x); not stretchable; Horizontal marking; snap-on type; white



**Item No.: 248-450**  
Mini-WSB marking card; as card; MARKED; K1 - K10 (10x); not stretchable; Horizontal marking; snap-on type; white



**Item No.: 248-451**  
Mini-WSB marking card; as card; MARKED; K11 - K20 (10x); not stretchable; Horizontal marking; snap-on type; white



**Item No.: 248-455**  
Mini-WSB marking card; as card; MARKED; U 100 (10x); not stretchable; Horizontal marking; snap-on type; white



**Item No.: 248-453**  
Mini-WSB marking card; as card; MARKED; U1, ... U10 (10x); not stretchable; Horizontal marking; snap-on type; white



**Item No.: 248-454**  
Mini-WSB marking card; as card; MARKED; U11 - U20 (10x); not stretchable; Horizontal marking; snap-on type; white



**Item No.: 248-501**  
Mini-WSB marking card; as card; not stretchable; plain; snap-on type; white

#### 1.1.5.2 Marking device



**Item No.: 210-110**  
Fiber-tip pen

### 1.1.6 Terminal blocks

#### 1.1.6.1 DIN-rail-mount enclosure



**Item No.: 789-134**  
PCB terminal block; 2.5 mm<sup>2</sup>; Pin spacing 5 mm; 1-pole; CAGE CLAMP®; gray



**Item No.: 789-130**  
PCB terminal block; 2.5 mm<sup>2</sup>; Pin spacing 5 mm; 2-pole; CAGE CLAMP®; gray



**Item No.: 789-127**  
PCB terminal block; 2.5 mm<sup>2</sup>; Pin spacing 5 mm; 3-pole; CAGE CLAMP®; gray



**Item No.: 789-128**  
PCB terminal block; 2.5 mm<sup>2</sup>; Pin spacing 5 mm; 3-pole; CAGE CLAMP®; gray



**Item No.: 789-129**  
PCB terminal block; 2.5 mm<sup>2</sup>; Pin spacing 5 mm; 3-pole; CAGE CLAMP®; gray



**Item No.: 789-131**  
PCB terminal block; 2.5 mm<sup>2</sup>; Pin spacing 5 mm; 3-pole; CAGE CLAMP®; gray



**Item No.: 789-133**  
PCB terminal block; 2.5 mm<sup>2</sup>; Pin spacing 5 mm; 3-pole; CAGE CLAMP®; gray



**Item No.: 789-132**  
PCB terminal block; 2.5 mm<sup>2</sup>; Pin spacing 5 mm; gray

## 1.1.7 Tool

### 1.1.7.1 Operating tool



**Item No.: 210-720**

Operating tool; Blade: 3.5 x 0.5 mm; with a partially insulated shaft; multicoloured