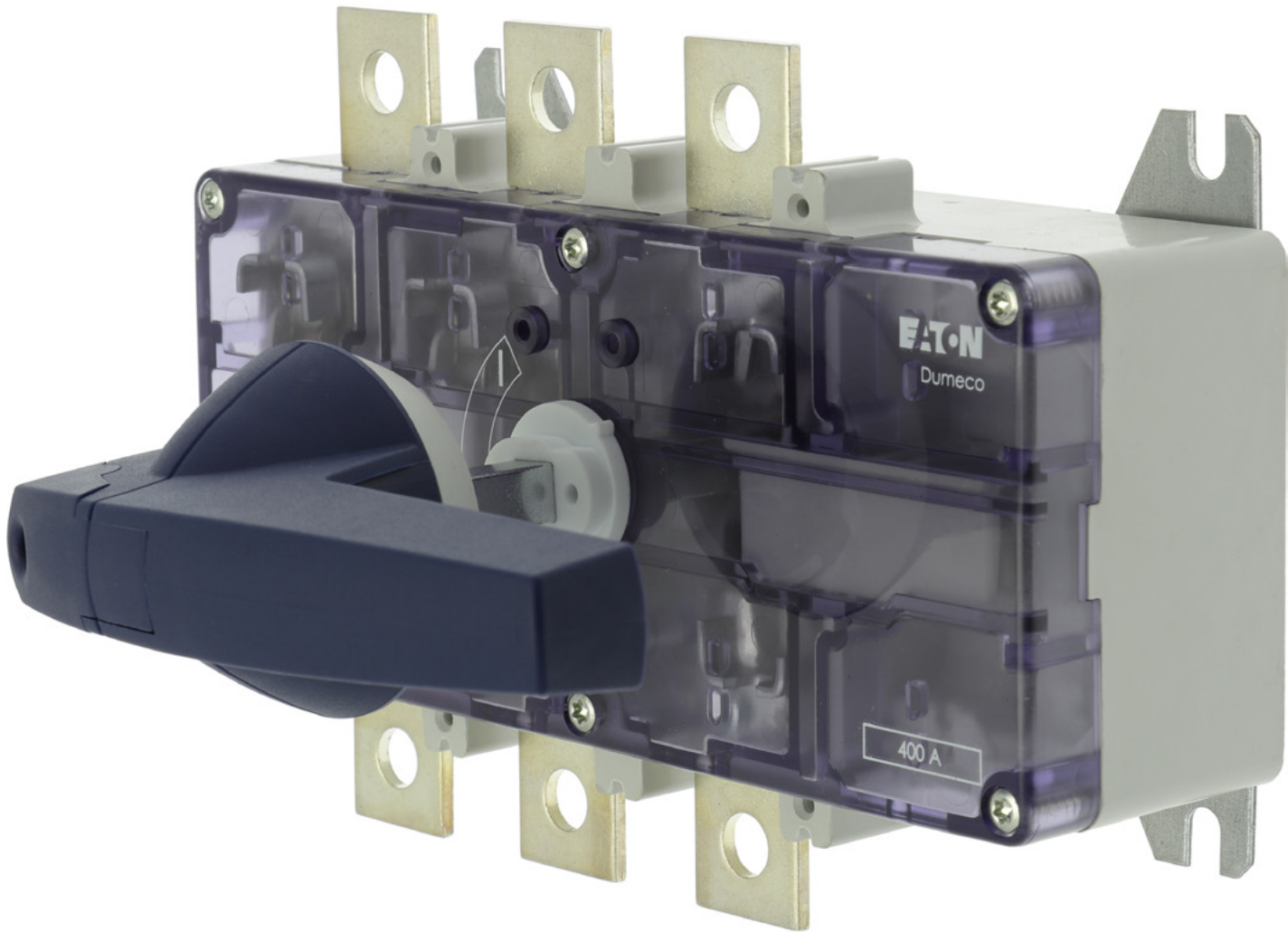


Industrial switch-disconnectors
Dumeco switch-disconnector ranges
QSA, Pasco and CCP2 fused switch-disconnectors



EATON

Powering Business Worldwide



We make what matters work.*



At Eaton, we believe that power is a fundamental part of just about everything people do. That's why we're dedicated to helping our customers find new ways to manage electrical, hydraulic and mechanical power more efficiently, safely and sustainably. To improve people's lives, the communities where we live and work, and the planet our future generations depend upon. Because this is what really matters. And we're here to make sure it works.

To learn more go to: [Eaton.com/whatmatters](https://www.eaton.com/whatmatters)

EATON
Powering Business Worldwide

We make what matters work.

Safe switching, isolating and control

Eaton's high performance, high quality, robust Switch-disconnectors are the perfect solution for industrial switchboards and panels.

Starting from 25 A Fused switch-disconnectors right through to 3150 A Isolators, we have a wide range of products to suit a variety of industrial segment needs. In-built quality and reliability ensures the safety of both equipment and those who operate it. Eaton's switch range comes with a multitude of approvals making our products suitable for use worldwide.

Visit www.eaton.eu/switchdisconnectors for detailed product information on Eaton's switch-disconnectors (online catalogue, CAD models, data sheets and documentation).

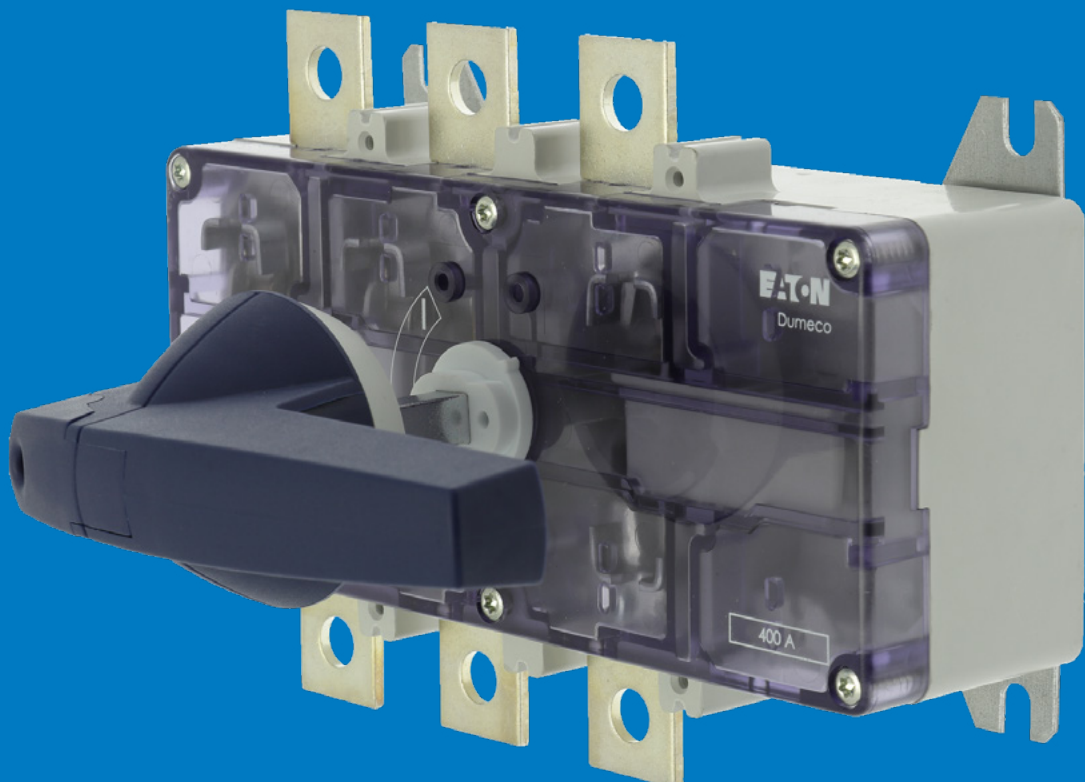


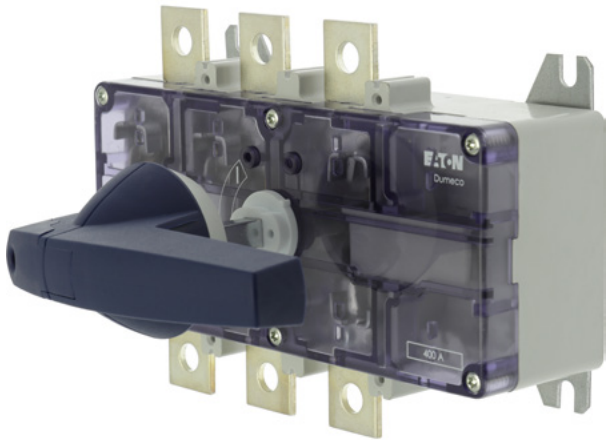
Table of contents

| | |
|--|-----------|
| Switch-disconnectors, 160 A to 3150 A, 690 V a.c. | 6 |
| DMV Dumeco switch-disconnectors | 6 |
| Handles and shafts | 9 |
| Accessories | 12 |
| Technical data | 13 |
| Outline drawings | 16 |
| Switch-disconnectors, 40 A to 160 A, AC-23 A | 20 |
| DMM Dumeco switch-disconnectors | 20 |
| Handles and shafts | 24 |
| Accessories | 26 |
| Technical data | 27 |
| Outline drawings | 28 |
| Switch-disconnectors, 40 A and 63 A, AC-21 A and AC-22 A | 30 |
| DCM Duco switch-disconnectors, 40 A and 63 A, 415 V a.c. | 30 |
| Handles and shafts | 32 |
| Accessories | 33 |
| Technical data | 34 |
| Outline drawing | 34 |
| DMV Change-over mechanisms, 160 A to 2000 A, 690 V a.c. | 36 |
| DMV Change-over mechanisms, 160 A to 2000 A, 690 V a.c. for DMV switch-disconnectors | 36 |
| Handles and shafts | 38 |
| Outline drawings | 40 |
| DMV Multipole mechanisms , 160 A to 1000 A, 690 V a.c. | 44 |
| DMV Multipole mechanisms, 160 A to 1000 A, 690 V a.c. | 44 |
| Handles and shafts | 45 |
| Outline drawings | 48 |
| Change-over and multipole switches, 40 A to 100 A, 690 V a.c. | 50 |
| QM Change-over and multipole switches, 40 A to 100 A, 690 V a.c. | 50 |
| Accessories | 52 |
| Technical data | 54 |
| Outline drawings | 55 |
| Manual transfer switches, 16 A to 63 A, 690 V a.c. | 56 |
| MTS Manual transfer switches, 16 A to 63 A, 690 V a.c. | 56 |
| Technical data | 58 |
| Outline drawings | 59 |

| | |
|---|------------|
| Fused switch-disconnectors, 40 A to 800 A, 690 V a.c. | 61 |
| QSA Fused switch-disconnector, 40 A to 800 A, 690 V a.c. | 61 |
| QSA Fused switch-disconnector, suitable for NH DIN Fuse links, 40 A to 800 A, 690 V a.c. | 62 |
| QSA Fused switch-disconnector, suitable for British Standard industrial fuse links, 40 A to 800 A, 690 V a.c. | 63 |
| Handles and shafts | 64 |
| Accessories | 67 |
| Technical data | 71 |
| Outline drawings | 75 |
| Compatible Eaton's Bussmann series Fuse links | 81 |
| Fused switch-disconnector 25 A, 35 A and 50 A, 400 V a.c. | 87 |
| Pasco Fused switch-disconnector, 25 A, 35 A and 50 A, 400 V a.c. | 87 |
| Pasco and Paco range overview | 88 |
| Accessories | 88 |
| Compatible Eaton's Bussmann series Fuse links | 89 |
| Outline drawings | 89 |
| Technical data | 90 |
| Switch-disconnectors for DC applications, 125 A to 1250 A, 800/1000 V d.c. | 91 |
| DDC Dumeco, 125 A to 1250 A, 800/1000 V d.c. | 91 |
| Handles and shafts | 93 |
| Accessories | 95 |
| Technical data | 96 |
| Outline drawings | 98 |
| K Type handles dimensions | 100 |
| A Type handles | 100 |
| C Type handles | 101 |
| D/P handles | 102 |
| D/C Type handles | 103 |
| CCP2 Compact circuit protector Class CF disconnect switches 30 A and 60 A | 105 |
| CCP2 class CF 30 A and 60 A, up to 600 V a.c./125 V d.c. | 105 |
| Handles and shafts | 108 |
| Accessories | 109 |
| Outline drawings | 111 |
| Index | 115 |

Switch-disconnectors, 160 A to 3150 A, 690 V a.c.

DMV Dumeco switch-disconnectors



Description

The DMV Dumeco switch-disconnectors have excellent short-circuit making capacities thanks to their parallel knife contacts with double break per phase. They provide unbeatable safety protection for equipment and personnel involved in their operation and maintenance.

Standards/Approvals

- IEC 60947-3
- EAC
- KEMA-KEUR
- Lloyd's Register
- CCC up to 1250 A

Technical data

- Voltage: 690 V ac.
- Current: 160 A to 3150 A
- 3-pole, 3-pole + solid neutral and 4-pole
- Direct handle operation or with door mounted handle

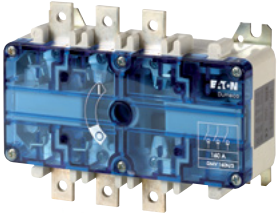
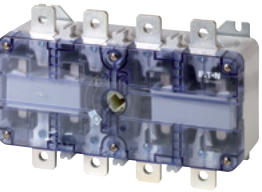
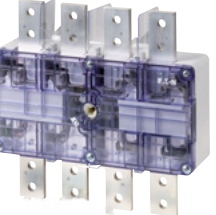

Features

- Parallel knife-contacts with double-break per phase
- Visible contact separation
- Forced contact breaking within 90 degrees
- Totally enclosed compact housing, made of non-tracking, heat resistant insulations material

DMV range overview

| | 160 A | 250 A | 400 A | 630 A | 1000 A | 1250 A | 1600 A | 2000 A | 2500 A | 3150 A |
|--|-------|-------|-------|-------|--------|--------|--------|--------|--------|--------|
| Switch-disconnectors without operating shaft and handle | ✓ | ✓ | ✓ | ✓ | ✓ | ✓ | ✓ | ✓ | | |
| Switch-disconnectors with operating shaft and C-Type handles | | ✓ | ✓ | ✓ | ✓ | | | | | |
| Switch-disconnectors with 400 mm shaft and red/yellow or grey handle | | ✓ | ✓ | | | | | | | |
| Switch-disconnectors with 300 mm shaft and K-Line handle | | | | | | | | | ✓ | ✓ |

DMV without operating shaft and handle

| | Current rating | Number of poles | Part number | Article number | Pack qty | Connection |
|---|----------------|--------------------|---------------|-------------------------|----------|---------------------------------------|
|  | 160 A | 3P | DMV-160N/3 | 1814178 | 1 | |
| | 160 A | 3P | DMV-160N/3+TC | 1814175 | 1 | With box terminal clamps |
| | 160 A | 3P | DMVS-160N/3 | 1814186 | 1 | With larger bolt connection terminals |
| | 160 A | 3P + solid neutral | DMV-160N/1 | 1814177 | 1 | |
|  | 160 A | 3P + solid neutral | DMV-160N/1+TC | 1814174 | 1 | With box terminal clamps |
| | 160 A | 3P + solid neutral | DMVS-160N/1 | 1814187 | 1 | With larger bolt connection terminals |
| | 160 A | 4P | DMV-160N/4 | 1814179 | 1 | |
| | 160 A | 4P | DMV-160N/4+TC | 1814176 | 1 | With box terminal clamps |
|  | 160 A | 4P | DMVS-160N/4 | 1814188 | 1 | With larger bolt connection terminals |
| | 250 A | 3P | DMV-250N/3 | 1814408 | 1 | |
| | 250 A | 3P + solid neutral | DMV-250N/1 | 1814409 | 1 | |
| | 250 A | 4P | DMV-250N/4 | 1814410 | 1 | |
|  | 400 A | 3P | DMV-400N/3 | 1814411 | 1 | |
| | 400 A | 3P + solid neutral | DMV-400N/1 | 1814412 | 1 | |
| | 400 A | 4P | DMV-400N/4 | 1814413 | 1 | |
| | 630 A | 3P | DMV-630N/3 | 1814442 | 1 | |
| | 630 A | 3P + solid neutral | DMV-630N/1 | 1814443 | 1 | |
| | 630 A | 4P | DMV-630N/4 | 1814444 | 1 | |
| | 1000 A | 3P | DMV-1000N/3 | 1814445 | 1 | |
| | 1000 A | 3P + solid neutral | DMV-1000N/1 | 1814446 | 1 | |
| | 1000 A | 4P | DMV-1000N/4 | 1814447 | 1 | |
| | 1250 A | 3P | DMV-1250N/3 | 1814590 | 1 | |
| | 1250 A | 3P + solid neutral | DMV-1250N/1 | 1814591 | 1 | |
| | 1250 A | 4P | DMV-1250N/4 | 1814592 | 1 | |
| | 1600 A | 3P | DMV-1600N/3 | 1814595 | 1 | |
| | 1600 A | 3P + solid neutral | DMV-1600N/1 | 1814596 | 1 | |
| | 1600 A | 4P | DMV-1600N/4 | 1814597 | 1 | |
| | 2000 A | 3P | DMV-2000N/3 | 1814065 | 1 | |

1814186

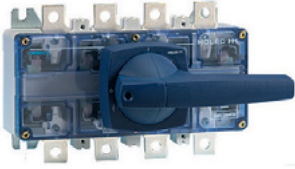
1814446

1814597

Switch-disconnectors, 160 A to 3150 A, 690 V a.c.

DMV Dumeco switch-disconnectors

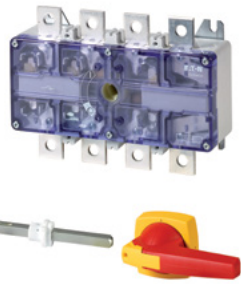
DMV with operating shaft and knob for cover mounting, without interlock function, for example when mounted on the cover of Eaton's Halyester enclosure range



1814422

| Current rating | Number of poles | Part number | Article number | Pack qty |
|----------------|--------------------|----------------|-------------------------|----------|
| 250 A | 3P | DMV-250N/3+SH | 1814420 | 1 |
| 250 A | 3P + solid neutral | DMV-250N/1+SH | 1814421 | 1 |
| 250 A | 4P | DMV-250N/4+SH | 1814422 | 1 |
| 400 A | 3P | DMV-400N/3+SH | 1814423 | 1 |
| 400 A | 3P + solid neutral | DMV-400N/1+SH | 1814424 | 1 |
| 400 A | 4P | DMV-400N/4+SH | 1814425 | 1 |
| 630 A | 3P | DMV-630N/3+SH | 1814448 | 1 |
| 630 A | 3P + solid neutral | DMV-630N/1+SH | 1814449 | 1 |
| 630 A | 4P | DMV-630N/4+SH | 1814450 | |
| 1000 A | 3P | DMV-1000N/3+SH | 1814451 | 1 |
| 1000 A | 3P + solid neutral | DMV-1000N/1+SH | 1814452 | 1 |
| 1000 A | 4P | DMV-1000N/4+SH | 1814453 | 1 |

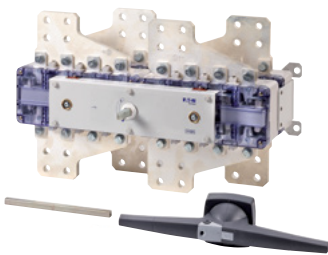
DMV with padlockable rotary handle, with door interlock function and 400 mm metal shaft



6094966

| Current rating | Number of poles | Handle with padlock | Shaft length | Part number | Article number | Pack qty |
|----------------|-----------------|---------------------|--------------|------------------|-------------------------|----------|
| 250 A | 3P | Red/Yellow | 400 mm | DMV-250/3/M4/P-R | 6094966 | 1 |
| 250 A | 3P | Grey | 400 mm | DMV-250/3/M4/P-G | 6099271 | 1 |
| 250 A | 4P | Red/Yellow | 400 mm | DMV-250/4/M4/P-R | 6094970 | 1 |
| 250 A | 4P | Grey | 400 mm | DMV-250/4/M4/P-G | 6099273 | 1 |
| 400 A | 3P | Red/Yellow | 400 mm | DMV-400/3/M4/P-R | 6094967 | 1 |
| 400 A | 3P | Grey | 400 mm | DMV-400/3/M4/P-G | 6099272 | 1 |
| 400 A | 4P | Red/Yellow | 400 mm | DMV-400/4/M4/P-R | 6094971 | 1 |
| 400 A | 4P | Grey | 400 mm | DMV-400/4/M4/P-G | 6099274 | 1 |

DMV with padlockable rotary handle, with door interlock function and 300 mm metal shaft, supplied with two 1NO + 1NC auxiliaries



6084846

| Current rating | Number of poles | Handle with padlock | Shaft length | Part number | Article number | Pack qty |
|----------------|-----------------|---------------------|--------------|----------------------------|-------------------------|----------|
| 2500 A | 3P | Grey | 300 mm | DMV-2500/3/M6/2HI11/K6-PG | 6093244 | 1 |
| 2500 A | 3P + neutral | Grey | 300 mm | DMV-2500/3N/M6/2HI11/K6-PG | 6093243 | 1 |
| 2500 A | 4P | Grey | 300 mm | DMV-2500/4/M6/2HI11/K6-PG | 6093242 | 1 |
| 3150 A | 3P | Grey | 300 mm | DMV-3150/3/M6/2HI11/K6-PG | 6084848 | 1 |
| 3150 A | 3P + neutral | Grey | 300 mm | DMV-3150/3N/M6/2HI11/K6-PG | 6084847 | 1 |
| 3150 A | 4P | Grey | 300 mm | DMV-3150/4/M6/2HI11/K6-PG | 6084846 | 1 |

Handles and shafts

Handles mounting types overview

| DMV | K Types handles | Shaft square mm | A Type handles | | | C Type handles | | D/P Type handles | | | D/C Type handles | | |
|-----------|-----------------|-----------------|----------------|-----|------|----------------|-----|------------------|------------|------|------------------|------------|------|
| | | | Blue | Red | Grey | Blue | Red | Blue | Red/Yellow | Grey | Blue | Red/Yellow | Grey |
| DMV 160N | K2S | 6 x 6 | ✓ | ✓ | | ✓ | ✓ | ✓ | ✓ | ✓ | ✓ | ✓ | ✓ |
| DMVS 160N | K3 | 10 x 10 | ✓ | ✓ | ✓ | ✓ | ✓ | ✓ | ✓ | ✓ | ✓ | ✓ | ✓ |
| DMV 250N | K3 | 10 x 10 | ✓ | ✓ | ✓ | ✓ | ✓ | ✓ | ✓ | ✓ | ✓ | ✓ | ✓ |
| DMV 400N | K3 | 10 x 10 | ✓ | ✓ | ✓ | ✓ | ✓ | ✓ | ✓ | ✓ | ✓ | ✓ | ✓ |
| DMV 630N | K5 | 14 x 14 | ✓ | ✓ | ✓ | ✓ | ✓ | ✓ | ✓ | ✓ | ✓ | ✓ | ✓ |
| DMV 1000N | K5 | 14 x 14 | ✓ | ✓ | ✓ | ✓ | ✓ | ✓ | ✓ | ✓ | ✓ | ✓ | ✓ |
| DMV 1250N | K6 | 14 x 14 | ✓ | ✓ | ✓ | ✓ | ✓ | ✓ | ✓ | ✓ | ✓ | ✓ | ✓ |
| DMV 1600N | K6 | 14 x 14 | ✓ | ✓ | ✓ | ✓ | ✓ | ✓ | ✓ | ✓ | ✓ | ✓ | ✓ |
| DMV 2000N | K6 | 14 x 14 | ✓ | ✓ | ✓ | ✓ | ✓ | ✓ | ✓ | ✓ | ✓ | ✓ | ✓ |
| DMV 2500 | K6 | 14 x 14 | | | | | | | | ✓ | | | |
| DMV 3150 | K6 | 14 x 14 | | | | | | | | ✓ | | | |

A Type: Handle mounted directly on switch

C Type: Handle without interlock function, for example when mounted on the cover of Eaton's Halyester enclosure range

D/P Type: Handle padlockable for mounting on hinged door, with interlock function

D/C Type: Handle with cylinder lock for mounting on hinged door, supplied with two keys, with interlock function

See handles dimensions pages 95 to 98

A Type handles

Mounted directly on switch, suitable for DMV 160N



K2S A handle
1818003

K3 A handle
1818202

K5 A handle
1818012

K6 A handle
1818013

Shafts

| DMV | A Type handles | | Metal shafts | Shaft length | | | | | | Pack qty |
|----------|------------------|------------------|--------------|--------------------------|--------------------------|--------------------------|--------------------------|--------------------------|--------------------------|----------|
| | Blue | Red | | 116 mm | 132 mm | 148 mm | 172 mm | 270 mm | 400 mm | |
| DMV 160N | K2SAB 1818003 | K2SAR 1818004 | 6 x 6 | 4K6116MMK1/2S 1314996 | 4K6132MMK1/2S 1314751 | 4K6148MMK1/2S 1314752 | 4K6172MMK1/2S 1314691 | 4K6270MMK1/2S 1314692 | 4K6400MMK1/2S 1314693 | 1 |

Mounted directly on switch, suitable for DMVS 160N up to DMV 2000N

| DMV | A Type handles | | | Metal shafts | Shaft length | | | | | Pack qty |
|-----------|-----------------|-----------------|-----------------|--------------|-----------------------|-----------------------|-----------------------|-----------------------|-----------------------|----------|
| | Blue | Red | Grey | | 135 mm | 200 mm | 245 mm | 400 mm | 600 mm | |
| DMVS 160N | | | | | | | | | | |
| DMV 250N | K3AB 1818110 | K3AR 1818111 | K3AG 1818202 | 10 x 10 | 4K10K3H135 1050240 | | 4K10K3H245 1050242 | 4K10K3H400 1050243 | | 1 |
| DMV 400N | | | | | | | | | | |
| DMV 630N | K5AB 1818011 | K5AR 1818012 | | 14 x 14 | | 4K14K5H200 1050244 | | 4K14K5H400 1050247 | 4K14K5H600 6090659 | 1 |
| DMV 1000N | | | | | | | | | | |
| DMV 1250N | | | | | | | | | | |
| DMV 1600N | K6AB 1818013 | K6AR 1818014 | | 14 x 14 | | 4K14K6H200 1050248 | | 4K14K6H400 1050250 | | 1 |
| DMV 2000N | | | | | | | | | | |

Switch-disconnectors, 160 A to 3150 A, 690 V a.c.

DMV Dumeco switch-disconnectors

Handles and shafts

C Type handles

Without interlock function, for example when mounted on the cover of Eaton's Halyester enclosure rangesuitable for DMV 160N



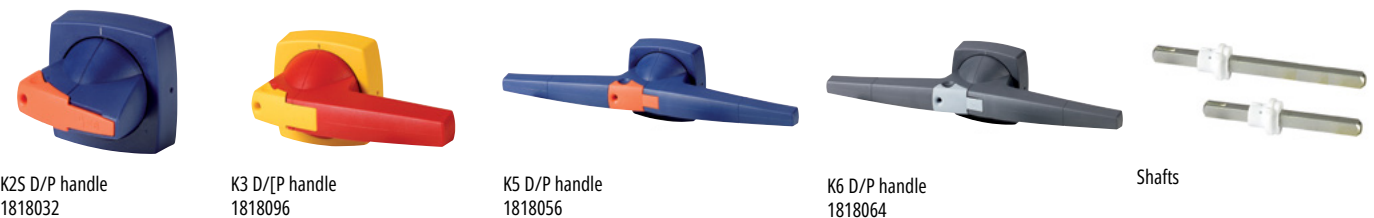
| DMV | C Type handles | | Shaft mm□ | Metal shafts | | | | | | Pack qty |
|----------|------------------|------------------|-----------|--------------------------|--------------------------|--------------------------|--------------------------|--------------------------|--------------------------|----------|
| | Blue | Red | | Shaft length | | | | | | |
| | | | | 116 mm | 132 mm | 148 mm | 172 mm | 270 mm | 400 mm | |
| DMV 160N | K2SCB 1818017 | K2SCR 1818018 | 6 x 6 | 4K6116MMK1/2S 1314996 | 4K6132MMK1/2S 1314751 | 4K6148MMK1/2S 1314752 | 4K6172MMK1/2S 1314691 | 4K6270MMK1/2S 1314692 | 4K6400MMK1/2S 1314693 | 1 |

Without interlock function, for example when mounted on the cover of Eaton's Halyester enclosure range, suitable for DMVS 160N up to DMV 2000N

| DMV | C Type handles | | Shaft mm□ | Metal shafts | | | | | Pack qty |
|-----------|-----------------|-----------------|-----------|-----------------------|-----------------------|-----------------------|-----------------------|-----------------------|----------|
| | Blue | Red/ yellow | | Shaft length | | | | | |
| | | | | 135 mm | 200 mm | 245 mm | 400 mm | 600 mm | |
| DMVS 160N | | | | | | | | | |
| DMV 250N | K3CB 1818068 | K3CR 1818112 | 10 x 10 | 4K10K3H135 1050240 | | 4K10K3H245 1050242 | 4K10K3H400 1050243 | | 1 |
| DMV 400N | | | | | | | | | |
| DMV 630N | K5CB 1818025 | K5CR 1818026 | 14 x 14 | | 4K14K5H200 1050244 | | 4K14K5H400 1050247 | 4K14K5H600 6090659 | 1 |
| DMV 1000N | | | | | | | | | |
| DMV 1250N | | | | | | | | | |
| DMV 1600N | K6CB 1818027 | K6CR 1818028 | 14 x 14 | | 4K14K6H200 1050248 | | 4K14K6H400 1050250 | | 1 |
| DMV 2000N | | | | | | | | | |

D/P Type handles

Padlockable for mounting on hinged door, with interlock function, suitable for DMV 160N



| DMV | D/P Type handles | | | Shaft mm□ | Metal shafts | | | | | | Pack qty |
|----------|--------------------|--------------------|--------------------|-----------|--------------------------|--------------------------|--------------------------|--------------------------|--------------------------|--------------------------|----------|
| | Blue | Red | Grey | | Shaft length | | | | | | |
| | | | | | 116 mm | 132 mm | 148 mm | 172 mm | 270 mm | 400 mm | |
| DMV 160N | K2SDB/P 1818032 | K2SDR/P 1818033 | K2SDG/P 1818034 | 6 x 6 | 4K6116MMK1/2S 1314996 | 4K6132MMK1/2S 1314751 | 4K6148MMK1/2S 1314752 | 4K6172MMK1/2S 1314691 | 4K6270MMK1/2S 1314692 | 4K6400MMK1/2S 1314693 | 1 |

Handles and shafts

D/P Type handles

Padlockable for mounting on hinged door, with interlock function, suitable for DMVS 160N up to DMV 2000N

| DMV | D/P Type handles | | | Metal shafts | | | | | Pack qty | |
|-----------|-------------------|-------------------|-------------------|--------------|-----------------------|-----------------------|-----------------------|-----------------------|-----------------------|--------|
| | Handle colours | | | Shaft mm□ | Length of shaft | | | | | |
| | Blue | Red | Grey | | 135 mm | 200 mm | 245 mm | 400 mm | | 600 mm |
| DMVS 160N | | | | 10 x 10 | | | | | | 1 |
| DMV 250N | K3DB/P 1818113 | K3DR/P 1818096 | K3DG/P 1818069 | | 4K10K3H135 1050240 | | 4K10K3H245 1050242 | 4K10K3H400 1050243 | | |
| DMV 400N | | | | | | | | | | |
| DMV 630N | | | | 14 x 14 | | 4K14K5H200 1050244 | | 4K14K5H400 1050247 | 4K14K5H600 6090659 | 1 |
| DMV 1000N | K5DB/P 1818056 | K5DR/P 1818057 | K5DG/P 1818058 | | | | | | | |
| DMV 1250N | | | | 14 x 14 | | 4K14K6H200 1050248 | | 4K14K6H400 1050250 | | 1 |
| DMV 1600N | K6DB/P 1818062 | K6DR/P 1818063 | K6DG/P 1818064 | | | | | | | |
| DMV 2000N | | | | | | | | | | |

D/C Type handles

With cylinder lock for mounting on hinged door, supplied with two keys, with interlock function, suitable for DMV 160N



K2S D/C handle
1818038

K3 D/C handle
1818097

K5 D/C handle
1818059

K6 D/C handle
1818067

Shafts

| DMV | D/C Type handles | | | Metal shafts | | | | | | Pack qty | |
|----------|--------------------|--------------------|--------------------|--------------|--------------------------|--------------------------|--------------------------|--------------------------|--------------------------|--------------------------|--------|
| | Handle colours | | | Shaft mm□ | Length of shafts | | | | | | |
| | Blue | Red | Grey | | 116 mm | 132 mm | 148 mm | 172 mm | 270 mm | | 400 mm |
| DMV 160N | K2SDB/C 1818038 | K2SDR/C 1818039 | K2SDR/C 1818040 | 6 x 6 | 4K6116MMK1/2S 1314996 | 4K6132MMK1/2S 1314751 | 4K6148MMK1/2S 1314752 | 4K6172MMK1/2S 1314691 | 4K6270MMK1/2S 1314692 | 4K6400MMK1/2S 1314693 | 1 |

With cylinder lock for mounting on hinged door, supplied with two keys, with interlock function, suitable for DMVS 160N up to DMV 2000N

| DMV | D/C Type handles | | | Metal shafts | | | | | Pack qty | |
|-----------|-------------------|-------------------|-------------------|--------------|-----------------------|-----------------------|-----------------------|-----------------------|-----------------------|--------|
| | Handle Type | | | Shaft mm□ | Shaft length | | | | | |
| | Blue | Red | Grey | | 135 mm | 200 mm | 245 mm | 400 mm | | 600 mm |
| DMVS 160N | | | | 10 x 10 | | | | | | 1 |
| DMV 250N | K3DB/C 1818114 | K3DR/C 1818097 | K3DG/C 1818070 | | 4K10K3H135 1050240 | | 4K10K3H245 1050242 | 4K10K3H400 1050243 | | |
| DMV 400N | | | | | | | | | | |
| DMV 630N | | | | 14 x 14 | | 4K14K5H200 1050244 | | 4K14K5H400 1050247 | 4K14K5H600 6090659 | 1 |
| DMV 1000N | K5DB/C 1818059 | K5DR/C 1818060 | K5DG/C 1818061 | | | | | | | |
| DMV 1250N | | | | 14 x 14 | | 4K14K6H200 1050248 | | 4K14K6H400 1050250 | | 1 |
| DMV 1600N | K6DB/C 1818065 | K6DR/C 1818066 | K6DG/C 1818067 | | | | | | | |
| DMV 2000N | | | | | | | | | | |

Switch-disconnectors, 160 A to 3150 A, 690 V a.c.

DMV Dumeco switch-disconnectors

Accessories

Transparent terminal cover



400894

| DMV Type | Part number | Article number | Pack qty |
|-------------------------------|-----------------------------|----------------|----------|
| DMV 160N | COVERDMV160 | 1314230 | 1 |
| DMVS 160N, DMV 250N, DMV 400N | EXTENDED-COVERDMVS160N/400N | EP-400894 | 1 |
| DMV 630N and DMV 1000N | COVERDMV630N/1000N | 1314830 | 1 |

Auxiliary switch, including fixing adaptor



1314398

| DMV Type | Part number | Article number | Pack qty |
|-------------------------------------|------------------------|----------------|----------|
| DMV 160N | AUX1NO+1NCDMV160N | 1314398 | 1 |
| DMVS 160N, DMV 250N up to DMV 2000N | AUX1NO+1NCDMVS160-2000 | 1314736 | 1 |

Spare connection kits (Connection kits are supplied with switch-disconnector as standard)



1314031

| DMV Type | Bolt connection | Part number | Article number | Pack qty |
|---------------------|-----------------|-------------|----------------|----------|
| DMV 160N | M6 x 20 | KITM6X20 | 1314031 | 1 |
| DMVS 160N, DMV 250N | M8 x 20 | KITM8X20 | 1314927 | 1 |
| DMV 400N | M10 x 20 | KITM10X20 | 1314915 | 1 |
| DMV 630N | M10 x 30 | KITM10X30 | 1314648 | 1 |
| DMV 1000N | M12 x 35 | KITM12X35 | 1314857 | 1 |

Shaft extension kit for extending shaft length



1050256

| DMV Type | 100 mm | | 200 mm | | Pack qty |
|------------|-------------|----------------|-------------|----------------|----------|
| | Part number | Article number | Part number | Article number | |
| DMV 1250 N | K6100VERL | 1050256 | K6200VERL | 1050257 | 1 |
| DMV 1600N | | | | | 1 |

Technical data

| | | | DMV 160N | DMVS 160N | DMV 250N | DMV 400N | DMV 630N |
|---------------------------------------|---|-------|-------------------------------------|------------------------------------|------------------------------------|------------------------------------|-------------------------------------|
| Conventional free air thermal current | I_{th} | | 160 A | 160 A | 250 A | 400 A | 630 A |
| Conventional enclosed thermal current | I_{the} | | 160 A | 160 A | 250 A | 400 A | 630 A |
| Rated uninterrupted current | I_u | | 160 A | 160 A | 250 A | 400 A | 630 A |
| Rated operational voltage | U_e | | 690 V a.c. | 690 V a.c. | 690 V a.c. | 690 V a.c. | 690 V a.c. |
| Rated insulation voltage | U_i | | 1000 V | 1000 V | 1000 V | 1000 V | 1000 V |
| Rated impulse withstand voltage | U_{imp} | | 8 kV | 8 kV | 8 kV | 8 kV | 12 kV |
| Rated frequency | | | 50 - 60 Hz | 50 - 60 Hz | 50 - 60 Hz | 50 - 60 Hz | 50 - 60 Hz |
| Ambient temperature | Operation temperature | | -25°C...55°C | -25°C...55°C | -25°C...55°C | -25°C...55°C | -25°C...55°C |
| | Storage temperature | | -30°C...80°C | -30°C...80°C | -30°C...80°C | -30°C...80°C | -30°C...80°C |
| Rated operational current | | | | | | | |
| AC-21A | At $U_e = 415$ V AC-21A | I_e | 160 A | 160 A | 250 A | 400 A | 630 A |
| | At $U_e = 500$ V AC-21A | I_e | 160 A | 160 A | 250 A | 400 A | 630 A |
| | At $U_e = 690$ V AC-21A | I_e | 125 A | 160 A | 250 A | 400 A | 630 A |
| AC-22A | At $U_e = 415$ V AC-22A | I_e | 160 A | 160 A | 250 A | 400 A | 630 A |
| | At $U_e = 500$ V AC-22A | I_e | 160 A | 160 A | 250 A | 400 A | 630 A |
| | At $U_e = 690$ V AC-22A | I_e | 125 A | 160 A | 250 A | 315 A | 630 A |
| AC-23A | At $U_e = 415$ V AC-23A | I_e | 154 A | 160 A | 250 A | 333 A | 630 A |
| | At $U_e = 500$ V AC-23A | I_e | 106 A | 156 A | 220 A | 254 A | 575 A |
| | At $U_e = 690$ V AC-23A | I_e | - | 140 A | 140 A | 140 A | 437 A |
| Rated operational power | At $U_e = 415$ V AC-23A | P | 90 kW | 90 kW | 147 kW | 180 kW | 375 kW |
| | At $U_e = 500$ V AC-23A | P | 75 kW | 110 kW | 160 kW | 180 kW | 425 kW |
| | At $U_e = 690$ V AC-23A | P | - | 132 kW | 132 kW | 132 kW | 425 kW |
| Rated breaking capacity | At $U_e = 415$ V | | 1232 A | 1280 A | 2000 A | 2664 A | 5040 A |
| | At $U_e = 500$ V | | 848 A | 1248 A | 1760 A | 2032 A | 4600 A |
| | At $U_n = 690$ V | | | 1120 A | 1120 A | 1120 A | 3496 A |
| Rated short-time withstand current | I_{cw} | | 8 kA - 0.2 s | 12 kA - 0.3 s | 12 kA - 0.3 s | 12 kA - 0.3 s | 36 kA - 0.3 s |
| Short-circuit rating | Fuse link max | | 160 /100 | 500/250 | 500/250 | 500/250 | 1000/630 |
| | Rated conditional short-circuit current | I_q | $I_n = 160$ 50 kA | $I_n = 500$ 50 kA | $I_n = 500$ 50 kA | $I_n = 500$ 50 kA | $I_n = 1000$ 50 kA |
| | | I_q | $I_n = 100$ 100 kA | $I_n = 250$ 100 kA | $I_n = 250$ 100 kA | $I_n = 250$ 100 kA | $I_n = 630$ 100 kA |
| | Breaking current | | $I_n = 160$ 50 kA | $I_n = 500$ 40 kA | $I_n = 500$ 40 kA | $I_n = 500$ 40 kA | $I_n = 1000$ 70 kA |
| | | | $I_n = 100$ 14.5 kA | $I_n = 250$ 33 kA | $I_n = 250$ 33 kA | $I_n = 250$ 33 kA | $I_n = 630$ 65 kA |
| | Max let-through energy | | $I_n = 160$ 600 kA ² s | $I_n = 500$ 1700 kA ² s | $I_n = 500$ 1700 kA ² s | $I_n = 500$ 1700 kA ² s | $I_n = 1000$ 4200 kA ² s |
| | | | $I_n = 100$ 67 kA ² s | $I_n = 250$ 380 kA ² s | $I_n = 250$ 380 kA ² s | $I_n = 250$ 380 kA ² s | $I_n = 630$ 3200 kA ² s |
| Power dissipation per pole | P | | 2.3 W | 1.8 W | 3.75 W | 11.5 W | 14 W |
| Durability - maximum cycles (on+off) | | | 10000 | 10000 | 10000 | 10000 | 5000 |
| Pollution degree | | | III/3 | III/3 | III/3 | III/3 | III/3 |
| Protection class | | | IP20 with or without terminal cover | | | | |
| Terminal capacities | | | | | | | |
| | Flat connection with busbars | | 75 mm ² | 120 mm ² | 120 mm ² | 240 mm ² | 400 mm ² |
| | Terminal screw | | M6 x 16 | M8 x 20 | M8 x 20 | M10 x 20 | M10 x 30 |
| | Tightening torque for terminal screw | | - | 14 Nm | 14 Nm | 28 Nm | 28 Nm |
| Standards | | | IEC 60947-1 and -3 | | | | |
| Certification | | | CCC, KEMA-KEUR, Lloyd's Register | | | | |

Switch-disconnectors, 160 A to 3150 A, 690 V a.c.

DMV Dumeco switch-disconnectors

Technical data

| | | DMV 1000N | DMV 1250N | DMV 1600N | DMV 2000N |
|---|-----------|-------------------------------------|--------------|--------------|--------------|
| Conventional free air thermal current | I_{th} | 1000 A | 1250 A | 1600 A | 2000 A |
| Conventional enclosed thermal current | I_{the} | 1000 A | 1250 A | 1600 A | 2000 A |
| Rated uninterrupted current | I_u | 1000 A | 1250 A | 1600 A | 2000 A |
| Rated operational voltage | U_e | 690 V a.c. | 690 V a.c. | 690 V a.c. | 690 V a.c. |
| Rated insulation voltage | U_i | 1000 V | 1000 V | 1000 V | 1000 V |
| Rated impulse withstand voltage | U_{imp} | 12 kV | 12 kV | 12 kV | 12 kV |
| Rated frequency | | 50 - 60 Hz | 50 - 60 Hz | 50 - 60 Hz | 50 - 60 Hz |
| Ambient temperature | | | | | |
| Operation temperature | | -25°C...55°C | -25°C...55°C | -25°C...55°C | -25°C...55°C |
| Storage temperature | | -30°C...80°C | -30°C...80°C | -30°C...80°C | -30°C...80°C |
| Rated operational current | | | | | |
| AC-21A | | | | | |
| At $U_e = 415$ V AC-21A | I_e | 1000 A | 1250 A | 1600 A | 2000 A |
| At $U_e = 500$ V AC-21A | I_e | 1000 A | 1250 A | 1600 A | 2000 A |
| At $U_e = 690$ V AC-21A | I_e | 1000 A | 1250 A | 1600 A | 2000 A |
| AC-22A | | | | | |
| At $U_e = 415$ V AC-22A | I_e | 1000 A | 1250 A | 1600 A | 2000 A |
| At $U_e = 500$ V AC-22A | I_e | 1000 A | 1250 A | 1600 A | 2000 A |
| At $U_e = 690$ V AC-22A | I_e | 1000 A | 1250 A | 1600 A | 2000 A |
| AC-23A | | | | | |
| At $U_e = 415$ V AC-23A | I_e | 759 A | 1250 A | 1250 A | 1250 A |
| At $U_e = 500$ V AC-23A | I_e | 575 A | 909 A | 909 A | 909 A |
| At $U_e = 690$ V AC-23A | I_e | 437 A | 630 A | 630 A | 630 A |
| Rated operational power | | | | | |
| At $U_e = 415$ V AC-23A | P | 425 kW | 750 kW | 750 kW | 750 kW |
| At $U_e = 500$ V AC-23A | P | 425 kW | 630 kW | 630 kW | 630 kW |
| At $U_e = 690$ V AC-23A | P | 425 kW | 630 kW | 630 kW | 630 kW |
| Rated breaking capacity | | | | | |
| At $U_e = 415$ V | | 6072 A | 10000 A | 10000 A | 10000 A |
| At $U_e = 500$ V | | 4600 A | 7272 A | 7272 A | 7272 A |
| At $U_n = 690$ V | | 3496 A | 5040 A | 4050 A | 5040 A |
| Rated short-time withstand current | I_{cw} | 36 kA - 0.3 s | 50 kA - 1 s | 50 kA - 1 s | 50 kA - 1 s |
| Short-circuit rating | | | | | |
| Fuse link max | | 1000/630 | - | - | - |
| Rated conditional short-circuit current | I_q | $I_n = 1000$ 50 kA | - | - | - |
| | I_q | $I_n = 630$ 100 kA | - | - | - |
| Breaking current | | $I_n = 1000$ 70 kA | - | - | - |
| | | $I_n = 630$ 65 kA | - | - | - |
| Max let-through energy | | $I_n = 1000$ 4200 kA ² s | - | - | - |
| | | $I_n = 630$ 3200 kA ² s | - | - | - |
| Power dissipation per pole | P | 35.3 W | 27.5 W | 45 W | 60 W |
| Durability - maximum cycles (on+off) | | 5000 | 5000 | 5000 | 5000 |
| Pollution degree | | III/3 | III/3 | III/3 | III/3 |

Technical data

| | DMV 1000N | DMV 1250N | DMV 1600N | DMV 2000N |
|--|-------------------------------------|---------------------|----------------------|----------------------|
| Protection class | IP20 with or without terminal cover | | | |
| Terminal capacities | | | | |
| Flat conductor connection with busbars | 600 mm ² | 800 mm ² | 1000 mm ² | 1500 mm ² |
| Terminal screw | M12 x 35 | M16 x 50 | M12 x 50 (2 x) | M12 x 50 (2 x) |
| Tightening torque for terminal screw | 28 Nm | 60 Nm | 40 Nm | 40 Nm |
| Standards | IEC 60947-1 and -3 | | | |
| Certification | CCC, KEMA-KEUR, Lloyd's Register | | | |

| | | DMV 2500 | DMV 3150 |
|---------------------------------------|-----------|------------|------------|
| Conventional free air thermal current | I_{th} | 2500 A | 3150 A |
| Conventional enclosed thermal current | I_{the} | 2500 A | 3150 A |
| Rated uninterrupted current | I_u | 2500 A | 3150 A |
| Rated operational voltage | U_e | 690 V a.c. | 690 V a.c. |
| Rated insulation voltage | U_i | 1000 V | 1000 V |
| Rated impulse withstand voltage | U_{imp} | 12 kV | 12 kV |
| Rated frequency | | 50 - 60 Hz | 50 - 60 Hz |

| Ambient temperature | | | |
|-----------------------|--|--------------|--------------|
| Operation temperature | | -25°C...55°C | -25°C...55°C |
| Storage temperature | | -30°C...80°C | -30°C...80°C |

| Rated operational current | | | |
|---------------------------|-------|--------|--------|
| AC-21A | | | |
| At $U_e = 415$ V AC-21A | I_e | 2500 A | 3150 A |
| At $U_e = 500$ V AC-21A | I_e | 2500 A | 3150 A |
| At $U_e = 690$ V AC-21A | I_e | 2500 A | 3150 A |

| Rated operational power | | | |
|-------------------------|---|---------|---------|
| At $U_e = 415$ V AC-23A | P | 1400 kW | 1400 kW |
| At $U_e = 500$ V AC-23A | P | - | - |
| At $U_e = 690$ V AC-23A | P | - | - |

| Rated breaking capacity | | | |
|--------------------------------------|----------|-------------------------------------|-------------|
| At $U_e = 415$ V | | 10000 A | 10000 A |
| At $U_e = 500$ V | | 7272 A | 7272 A |
| At $U_n = 690$ V | | 5040 A | 5040 A |
| Rated short-time withstand current | I_{cw} | 65 kA - 1 s | 65 kA - 1 s |
| Power dissipation per pole | P | 68.7 W | 108.8 W |
| Durability - maximum cycles (on+off) | | 5000 | 5000 |
| Pollution degree | | III/3 | III/3 |
| Protection class | | IP20 with or without terminal cover | |

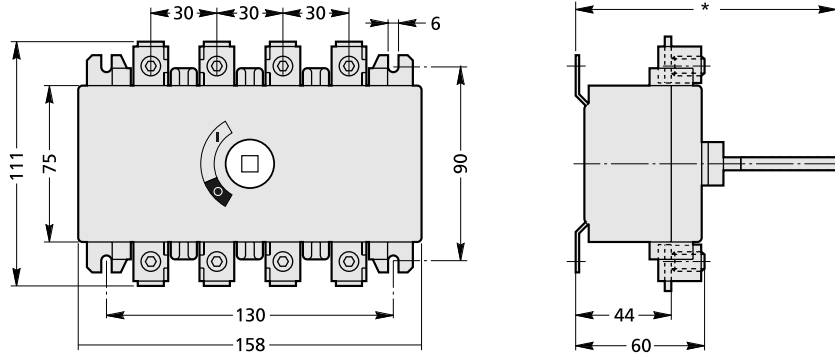
| Terminal capacities | | | |
|--|--|----------------------------------|----------------------|
| Flat conductor connection with busbars | | 3000 mm ² | 3000 mm ² |
| Terminal screw | | M12 x 50 (2x) | M12 x 50 (2x) |
| Tightening torque for terminal screw | | 40 Nm | 40 Nm |
| Standards | | IEC 60947-1 and -3 | |
| Certification | | CCC, KEMA-KEUR, Lloyd's Register | |

Switch-disconnectors, 160 A to 3150 A, 690 V a.c.

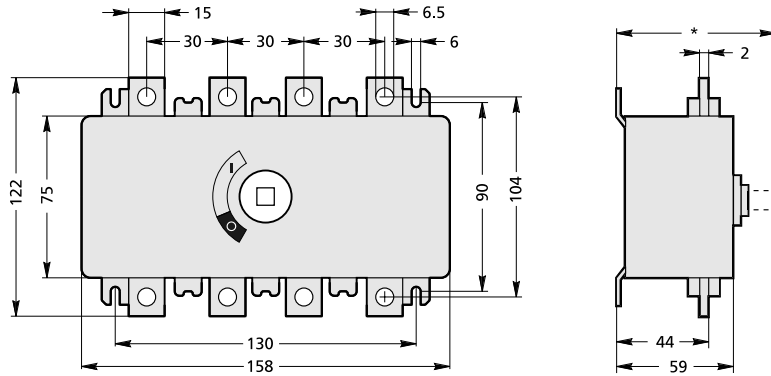
DMV Dumeco switch-disconnectors

Outline drawings

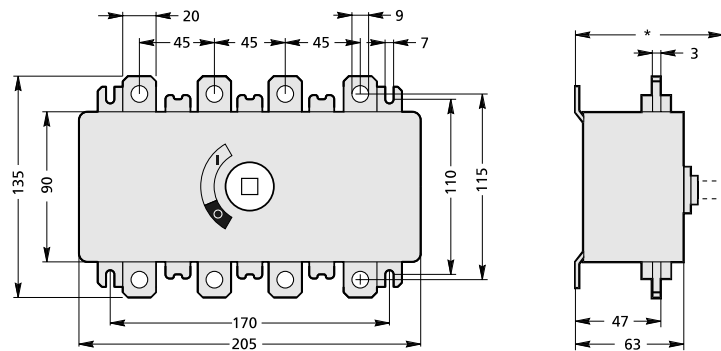
DMV 160N 3-pole and 4-pole connecting contacts with box terminal clamps - mm



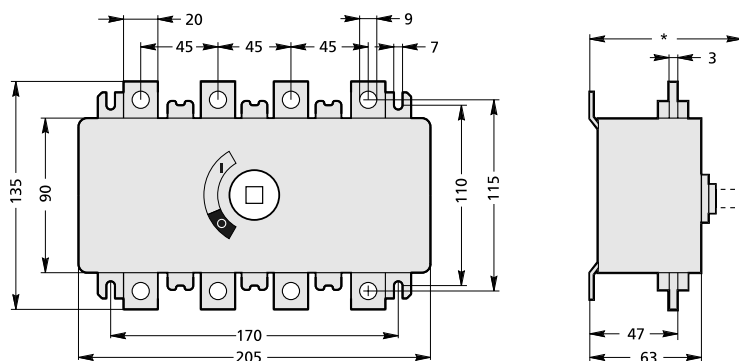
DMV 160N 3-pole and 4-pole - mm



DMVS 160N 3-pole and 4-pole - mm



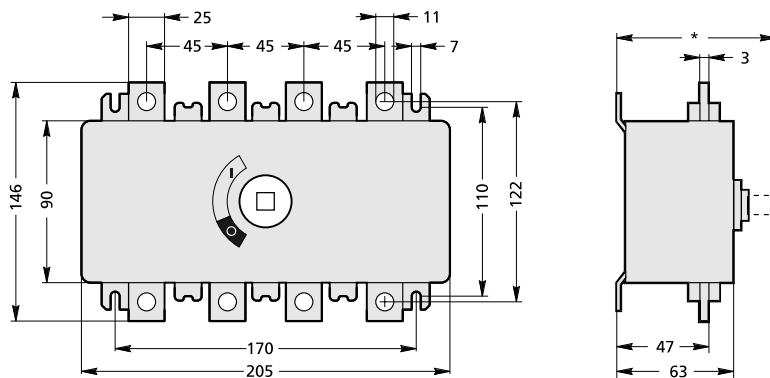
DMV 250N 3-pole and 4-pole - mm



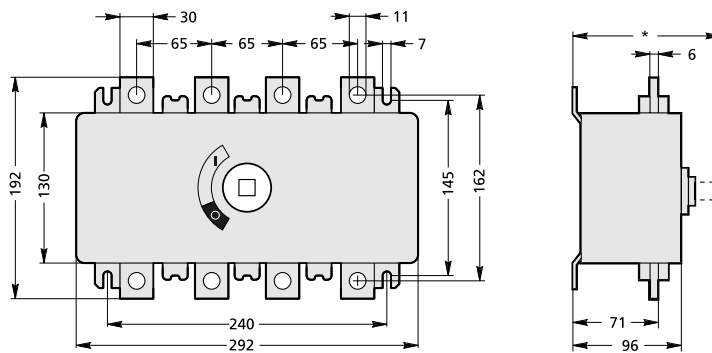
* Depending on the applied operating shaft

Outline drawings

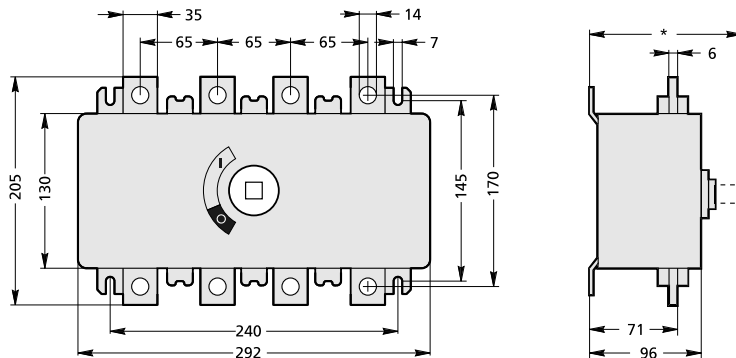
DMV 400N 3-pole and 4-pole - mm



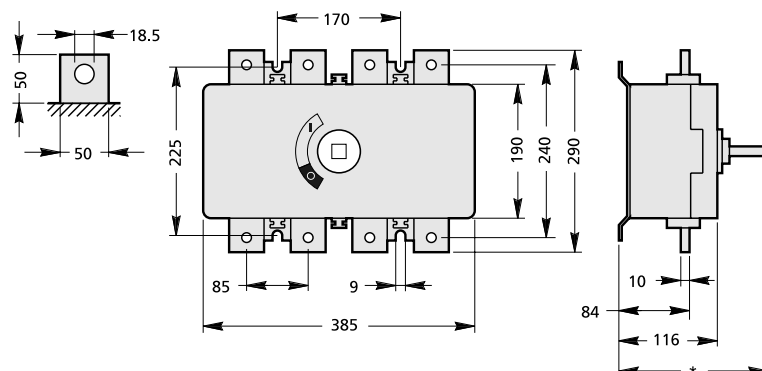
DMV 630N 3-pole and 4-pole - mm



DMV 1000N 3-pole and 4-pole - mm



DMV 1250N 3-pole and 4-pole - mm



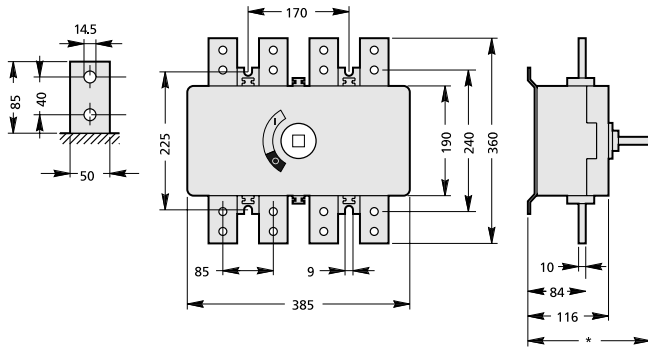
* Depending on the applied operating shaft

Switch-disconnectors, 160 A to 3150 A, 690 V a.c.

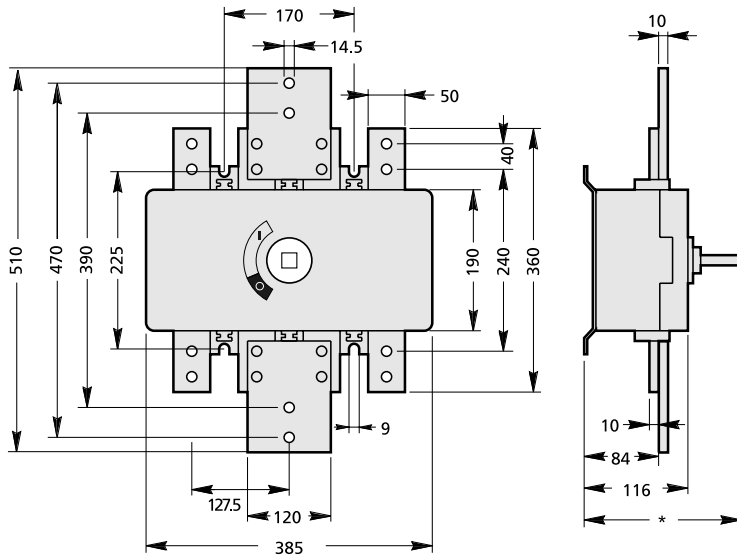
DMV Dumeco switch-disconnectors

Outline drawings

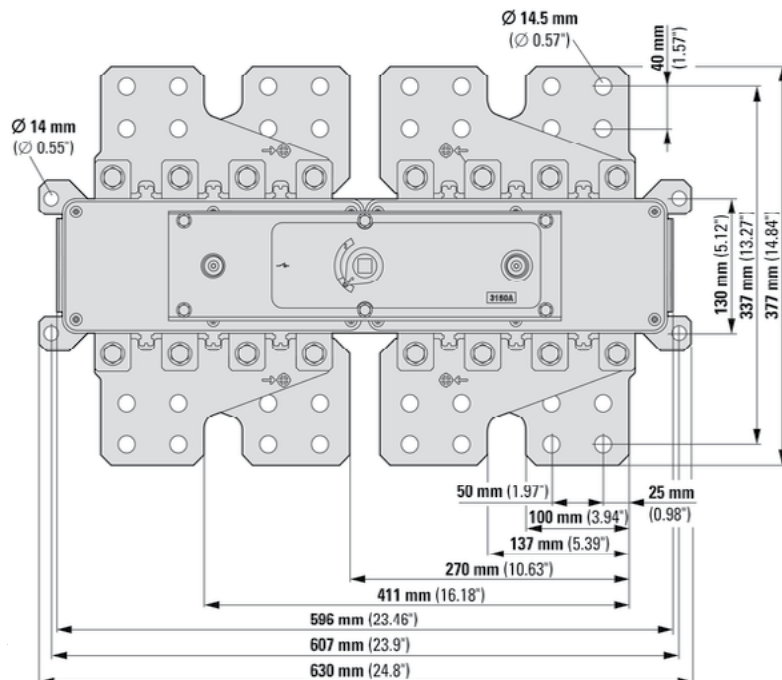
DMV 1600N 3-pole and 4-pole - mm

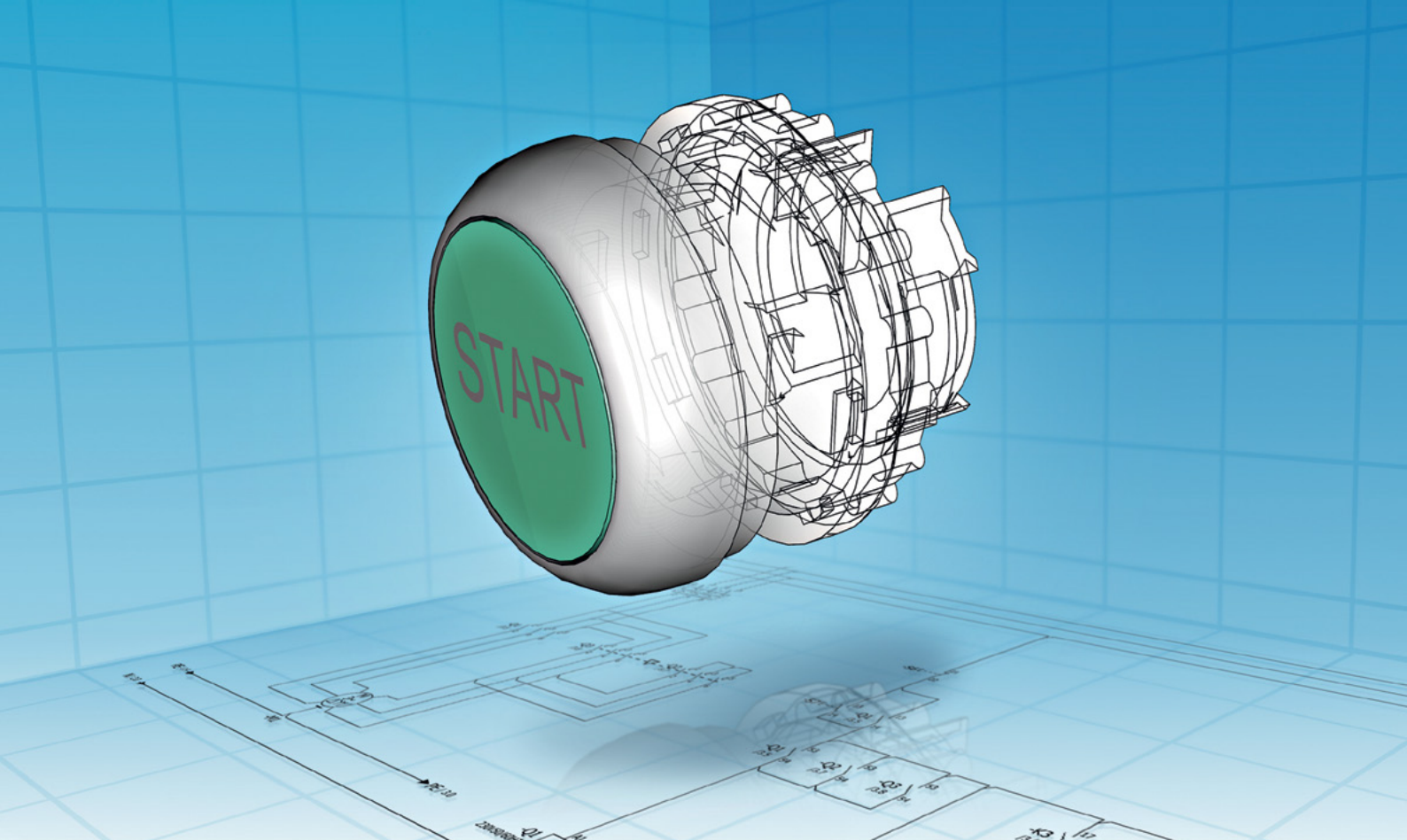


DMV 2000N 3-pole and 4-pole - mm



DMV 2500 A and 3150 A 3-pole and 4-pole - mm





Planning safety and process optimization: CAD data at the click of a mouse!



- 13,200 article data items and macros
- Convenient selection tool
- Version P8



- Models for approx. 11,000 products
- 80 different neutral & native formats

Eaton is providing its customers with CAD data to offer optimum support during planning. Both electrical and mechanical design data can be called up quickly and conveniently from the Internet at any time. This reduces processing times, minimizes errors and thus reduces costs already in the engineering phase of control panels, systems and machinery.

eCAD: Eaton has product data and macros available for EPLAN Electric P8. After downloading the small EPLANSelection program, you will not only be able to select the items you need from a database containing more than 10,800 products, but will also be able to export them and import them into your own EPLAN item database.

mCAD: Eaton makes 2D and 3D data available for more than 11,000 products. Over 80 different neutral and native formats guarantee compatibility with the project engineering systems of the customer. The models can either be integrated directly into the planning software from the Partcommunity Portal on the Internet or via the CADENAS Partsolution software.

Switch-disconnectors, 40 A to 160 A, AC-23 A

DMM Dumeco switch-disconnectors



Description

The DMM Dumeco switch-disconnectors provide safe isolation in a wide range of low voltage applications. Thanks to their excellent making and breaking capacity under load conditions they are particularly suited for use in distribution panels and for machine controls.

Standards/Approvals

- IEC 60947-3
- EAC
- KEMA-KEUR
- Lloyd's Register

Technical data

- Voltage: 690 V ac.
- Current: 40 A to 160 A
- 3-pole + solid neutral and 4-poles
- Direct operation or with door mount knob
- Utilisation category: AC-23A

Mounting options

- DIN-Rail mounting
- 45 mm front for standard distribution board
- IP65 Enclosed for 125 A and 160 A only

Features

- 125 and 160 A DMM switch-disconnectors available as a complete package: with a 400 mm shaft and a red or grey padlockable handle
- 125 and 160 A DMM switch-disconnectors are also available in a CI-K5 enclosure

DMM range overview

| | 40 A | 63 A | 80 A | 100 A | 125 A | 160 A |
|--|------|------|------|-------|-------|-------|
| Switch-disconnectors with integrated black rotary handle | ✓ | ✓ | ✓ | ✓ | ✓ | ✓ |
| Switch-disconnectors without shaft and knob | ✓ | ✓ | | | ✓ | ✓ |
| Switch-disconnectors with operating shaft and knob for cover mounting | ✓ | ✓ | | | ✓ | |
| Switch-disconnectors with 400 mm shaft and red/yellow or grey paclockable handle | | | | | ✓ | ✓ |
| Switch-disconnectors in CI-K5 enclosure with cylinder lock handle | | | | | ✓ | ✓ |
| Switch-disconnectors in CI-K5 enclosure with padlock | | | | | ✓ | ✓ |

DMM with integrated black rotary handle



1314161



6093346

| Thermal current I_{the} | Number of poles | Part number | Article number | Pack qty |
|---------------------------|--------------------|-------------|-------------------------|----------|
| 40 A | 3P + solid neutral | DMM-40/1 | 1314056 | 1 |
| 40 A | 4P | DMM-40/4 | 1314057 | 1 |
| 63 A | 3P + solid neutral | DMM-63/1 | 1314161 | 1 |
| 63 A | 4P | DMM-63/4 | 1314162 | 1 |
| 80 A | 3P + solid neutral | DMM-80/1 | 199969 | 1 |
| 80 A | 3P | DMM-80/3 | 199531 | 1 |
| 80 A | 4P | DMM-80/4 | 199533 | 1 |
| 100 A | 3P + solid neutral | DMM-100/1 | 199970 | 1 |
| 100 A | 3P | DMM-100/3 | 199532 | 1 |
| 100 A | 4P | DMM-100/4 | 199534 | 1 |
| 125 A | 3P | DMM-125/3 | 6093344 | 1 |
| 125 A | 3P + solid neutral | DMM-125/1 | 1314210 | 1 |
| 125 A | 4P | DMM-125/4 | 1314211 | 1 |
| 160 A | 3P | DMM-160/3 | 6093347 | 1 |
| 160 A | 3P + solid neutral | DMM-160/1 | 6093345 | 1 |
| 160 A | 4P | DMM-160/4 | 6093346 | 1 |

DMM without shaft and knob



1314158



6085418

| Thermal current I_{the} | Number of poles | Part number | Article number | Pack qty |
|---------------------------|--------------------|--------------|-------------------------|----------|
| 40 A | 3P + solid neutral | DMM-40/1-SK | 1314052 | 1 |
| 40 A | 4P | DMM-40/4-SK | 1314053 | 1 |
| 63 A | 3P + solid neutral | DMM-63/1-SK | 1314157 | 1 |
| 63 A | 4P | DMM-63/4-SK | 1314158 | 1 |
| 125 A | 3P | DMM-125/3-SK | 6083336 | 1 |
| 125 A | 3P + solid neutral | DMM-125/1-SK | 1314203 | 1 |
| 125 A | 4P | DMM-125/4-SK | 1314204 | 1 |
| 160 A | 3P | DMM-160/3-SK | 6085416 | 1 |
| 160 A | 3P + solid neutral | DMM-160/1-SK | 6085417 | 1 |
| 160 A | 4P | DMM-160/4-SK | 6085418 | 1 |

Switch-disconnectors, 40 A to 160 A, AC-23 A

DMM Dumeco switch-disconnectors

DMM with operating shaft and knob, without interlock function, for example when mounted on the cover of Eaton's Halyester enclosure range



1314207

| Thermal current I_{the} | Number of poles | Height* | Part number | Article number | Pack qty |
|---------------------------|--------------------|---------|--------------|-------------------------|----------|
| 40 A | 3P + solid neutral | 172 mm | DMM-40/1+SK | 1314054 | 1 |
| 40 A | 4P | 172 mm | DMM-40/4+SK | 1314055 | 1 |
| 63 A | 3P + solid neutral | 172 mm | DMM-63/1+SK | 1314159 | 1 |
| 63 A | 4P | 172 mm | DMM-63/4+SK | 1314160 | 1 |
| 125 A | 3P + solid neutral | 172 mm | DMM-125/1+CM | 1314206 | 1 |
| 125 A | 4P | 172 mm | DMM-125/4+CM | 1314207 | 1 |

* Height from back of switch up to the handle

DMM with padlockable rotary handle, with door interlock function and 400 mm metal shaft



6096807

| Thermal current I_{the} | Handle colour | Number of poles | Part number | Article number | Pack qty |
|---------------------------|---------------|-----------------|------------------|-------------------------|----------|
| 125 A | Red/Yellow | 3P | DMM-125/3/M4/P-R | 6094964 | 1 |
| 125 A | Red/Yellow | 4P | DMM-125/4/M4/P-R | 6094968 | 1 |
| 125 A | Grey | 3P | DMM-125/3/M4/P-G | 6096804 | 1 |
| 125 A | Grey | 4P | DMM-125/4/M4/P-G | 6096805 | 1 |
| 160 A | Red/Yellow | 3P | DMM-160/3/M4/P-R | 6094965 | 1 |
| 160 A | Red/Yellow | 4P | DMM-160/4/M4/P-R | 6094969 | 1 |
| 160 A | Grey | 3P | DMM-160/3/M4/P-G | 6096806 | 1 |
| 160 A | Grey | 4P | DMM-160/4/M4/P-G | 6096807 | 1 |

DMM Enclosed 125 A and 160 A, IP65, padlockable



172849



172848

| Thermal current I_{the} | Handle colour | Number of poles | Part number | Article number | Pack qty |
|---------------------------|---------------|--------------------|-------------------|------------------------|----------|
| 125 A | Blue | 3P | DMM-125/3/I5/P-B | 172849 | 1 |
| 125 A | Grey | 3P | DMM-125/3/I5/P-G | 172850 | 1 |
| 125 A | Red/Yellow | 3P | DMM125/3/I5/P-R | 172851 | 1 |
| 125 A | Blue | 3P + Solid neutral | DMM-125/3N/I5/P-B | 172846 | 1 |
| 125 A | Grey | 3P + Solid neutral | DMM-125/3N/I5/P-G | 172847 | 1 |
| 125 A | Red/Yellow | 3P + Solid neutral | DMM125/3N/I5/P-R | 172848 | 1 |
| 125 A | Blue | 4P | DMM-125/4/I5/P-B | 172852 | 1 |
| 125 A | Grey | 4P | DMM-125/4/I5/P-G | 172853 | 1 |
| 125 A | Red/Yellow | 4P | DMM125/4/I5/P-R | 172854 | 1 |
| 160 A | Blue | 3P | DMM-160/3/I5/P-B | 172792 | 1 |
| 160 A | Grey | 3P | DMM-160/3/I5/P-G | 172793 | 1 |
| 160 A | Red/Yellow | 3P | DMM-160/3/I5/P-R | 172794 | 1 |
| 160 A | Blue | 3P + Solid neutral | DMM-160/3N/I5/P-B | 172789 | 1 |
| 160 A | Grey | 3P + Solid neutral | DMM-160/3N/I5/P-G | 172790 | 1 |
| 160 A | Red/Yellow | 3P + Solid neutral | DMM160/3N/I5/P-R | 172791 | 1 |
| 160 A | Blue | 4P | DMM-160/4/I5/P-B | 172795 | 1 |
| 160 A | Grey | 4P | DMM-160/4/I5/P-G | 172796 | 1 |
| 160 A | Red/Yellow | 4P | DMM160/4/I5/P-R | 172797 | 1 |

DMM Enclosed 125 A and 160 A, IP65, with cylinder lock handle



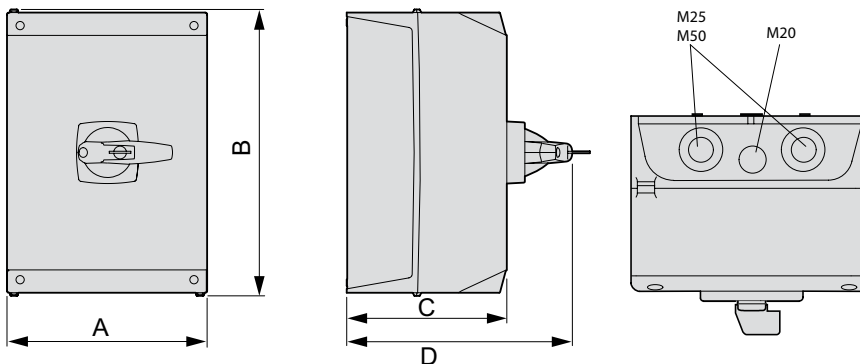
172858



172805

| Thermal current I_{the} | Handle colour | Number of poles | Part number | Article number | Pack qty |
|---------------------------|---------------|--------------------|-------------------|------------------------|----------|
| 125 A | Blue | 3P | DMM-125/3/15/C-B | 172858 | 1 |
| 125 A | Grey | 3P | DMM-125/3/15/C-G | 172859 | 1 |
| 125 A | Red/Yellow | 3P | DMM-125/3/15/C-R | 172860 | 1 |
| 125 A | Blue | 3P + Solid neutral | DMM-125/3N/15/C-B | 172855 | 1 |
| 125 A | Grey | 3P + Solid neutral | DMM-125/3N/15/C-G | 172856 | 1 |
| 125 A | Red/Yellow | 3P + Solid neutral | DMM-125/3N/15/C-R | 172857 | 1 |
| 125 A | Blue | 4P | DMM-125/4/15/C-B | 172861 | 1 |
| 125 A | Grey | 4P | DMM-125/4/15/C-G | 172862 | 1 |
| 125 A | Red/Yellow | 4P | DMM-125/4/15/C-R | 172863 | 1 |
| 160 A | Blue | 3P | DMM-160/3/15/C-B | 172801 | 1 |
| 160 A | Grey | 3P | DMM-160/3/15/C-G | 172802 | 1 |
| 160 A | Red/Yellow | 3P | DMM-160/3/15/C-R | 172803 | 1 |
| 160 A | Blue | 3P + Solid neutral | DMM-160/3N/15/C-B | 172798 | 1 |
| 160 A | Grey | 3P + Solid neutral | DMM-160/3N/15/C-G | 172799 | 1 |
| 160 A | Red/Yellow | 3P + Solid neutral | DMM-160/3N/15/C-R | 172800 | 1 |
| 160 A | Blue | 4P | DMM-160/4/15/C-B | 172804 | 1 |
| 160 A | Grey | 4P | DMM-160/4/15/C-G | 172805 | 1 |
| 160 A | Red/Yellow | 4P | DMM-160/4/15/C-R | 172806 | 1 |

Enclosure dimensions - mm



| | mm | inches |
|---|-----|--------|
| A | 200 | 7.87 |
| B | 280 | 11.02 |
| C | 160 | 6.3 |
| D | 226 | 8.9 |

Switch-disconnectors, 40 A to 160 A, AC-23 A

DMM Dumeco switch-disconnectors

Handles and shafts

Handles mounting types overview

| Duco | K Type handles | A Type handles | | | C Type handles | | D/P Type handles | | | D/C Type handles | | |
|-------|----------------|----------------|-----|------|----------------|-----|------------------|------------|------|------------------|------------|------|
| | | Blue | Red | Grey | Blue | Red | Blue | Red/Yellow | Grey | Blue | Red/Yellow | Grey |
| 40 A | K1 | ✓ | ✓ | ✓ | ✓ | ✓ | ✓ | ✓ | ✓ | | | |
| 63 A | K1 | ✓ | ✓ | ✓ | ✓ | ✓ | ✓ | ✓ | ✓ | | | |
| 125 A | K2S | ✓ | ✓ | ✓ | ✓ | ✓ | ✓ | ✓ | ✓ | ✓ | ✓ | ✓ |
| 160 A | K2S | ✓ | ✓ | ✓ | ✓ | ✓ | ✓ | ✓ | ✓ | ✓ | ✓ | ✓ |

A Type: Handle mounted directly on switch

C Type: Handle without interlock function, for example when mounted on the cover of Eaton's Halyester enclosure range

D/P Type: Handle padlockable for mounting on hinged door, with interlock function

D/C Type: Handle with cylinder lock for mounting on hinged door, supplied with two keys, with interlock function

See handles dimensions pages 95 to 98

A Type handles

Mounted directly on switch



K1 A handle
1818001



K2S A handle
1818004



Shafts

| | A Type handles | | | Shaft mm □ | Metal shafts | | | | | | Pack qty |
|---------|------------------|------------------|-----------------|---------------|---------------------|-------------|-------------|---------------------|-------------|---------------------|-------------|
| | Handle colours | | | | Length of shaft | | | | | | |
| | Blue | Red | Grey | | 116 mm | 132 mm | 148 mm | 172 mm | 270 mm | 400 mm | |
| DMM 40 | K1AB 1818001 | K1AR 1818002 | K1AG 1818200 | 6 x 6 | 4K6116MMDCM/ DMM | 4K6132MMDMM | 4K6148MMDMM | 4K6172MMDCM/ DMM | 4K6270MMDMM | 4K6400MMDCM/ DMM | 1 |
| DMM 63 | | | | | | | | | | | |
| DMM 125 | K2SAB 1818003 | K2SAR 1818004 | | 6 x 6 | 1314335* | 1314341* | 1314342* | 1314334* | 1314374* | 1314370 | |
| DMM 160 | | | | | | | | | | | |

C Type handles

Without interlock function, for example when mounted on the cover of Eaton's Halyester enclosure range



K1 C handle
1818015



K2S handle
1818018



Shafts

| | C Type handles | | Shaft mm □ | Metal shafts | | | | | | Pack qty |
|---------|------------------|------------------|---------------|--------------------------------|-------------|-------------|---------------------|-------------|---------------------|-------------|
| | Handle colours | | | Total height of switch + shaft | | | | | | |
| | Blue | Red | | 116 mm | 132 mm | 148 mm | 172 mm | 270 mm | 400 mm | |
| DMM 40 | K1CB 1818015 | K1CR 1818016 | 6 x 6 | 4K6116MMDCM/DMM | 4K6132MMDMM | 4K6148MMDMM | 4K6172MMDCM/ DMM | 4K6270MMDMM | 4K6400MMDCM/ DMM | 1 |
| DMM 63 | | | | | | | | | | |
| DMM 125 | K2SCB 1818017 | K2SCR 1818018 | 6 x 6 | 1314335* | 1314341* | 1314342* | 1314334* | 1314374* | 1314370 | |
| DMM 160 | | | | | | | | | | |

* Height of switch from bottom of switch to top of operating shaft

Handles and shafts

D/P Type handles

Padlockable for mounting on hinged door, with interlock function



K1 D/P handle
1818029



K2S D/P handle
1818034



Shafts

| | D/P Type handles | | | Shaft mm □ | Metal shafts | | | | | | Pack qty |
|---------|--------------------|--------------------|--------------------|---------------|---------------------|-------------|-------------|---------------------|-------------|---------------------|-------------|
| | Handle colours | | | | Length of shaft | | | | | | |
| | Blue | Red | Grey | | 116 mm | 132 mm | 148 mm | 172 mm | 270 mm | 400 mm | |
| DMM 40 | K1DB/P 1818029 | K1DR/P 1818030 | K1DG/P 1818031 | 6 x 6 | 4K6116MMDCM/ DMM | 4K6132MMDMM | 4K6148MMDMM | 4K6172MMDCM/ DMM | 4K6270MMDMM | 4K6400MMDCM/ DMM | 1 |
| DMM 63 | | | | | | | | | | | |
| DMM 125 | K2SDB/P 1818032 | K2SDR/P 1818033 | K2SDG/P 1818034 | 6 x 6 | 1314335* | 1314341* | 1314342* | 1314334* | 1314374* | 1314370 | |
| DMM 160 | | | | | | | | | | | |

D/C Type handles

With cylinder lock for mounting on hinged door, supplied with two keys, with interlock function



K2SDB/C
1818038



K2SDR/C
1818039



K2SDG/C
1818040



Shafts

| | D/C Type handles | | | Shaft mm □ | Metal shafts | | | | | | Pack qty |
|---------|--------------------|--------------------|--------------------|---------------|---------------------|-------------|-------------|---------------------|-------------|---------------------|-------------|
| | Handle colours | | | | Length of shaft | | | | | | |
| | Blue | Red | Grey | | 116 mm | 132 mm | 148 mm | 172 mm | 270 mm | 400 mm | |
| DMM 125 | K2SDB/C 1818038 | K2SDR/C 1818039 | K2SDG/C 1818040 | 6 x 6 | 4K6116MMDCM/ DMM | 4K6132MMDMM | 4K6148MMDMM | 4K6172MMDCM/ DMM | 4K6270MMDMM | 4K6400MMDCM/ DMM | 1 |
| DMM 160 | | | | | | | | | | | |
| | | | | | 1314335* | 1314341* | 1314342* | 1314334* | 1314374* | 1314370 | |

* Height of switch from bottom of switch to top of operating shaft

Switch-disconnectors, 40 A to 160 A, AC-23 A

DMM Dumeco switch-disconnectors

Accessories

Auxiliary switch sets suitable for DMM 40 to 160 A

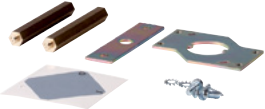
Not suitable for DMM with integrated black rotary handle



| Part number | Article number | Rated current | Rated voltage | Contact | Pack qty |
|-------------------|----------------|---------------|---------------|-------------|----------|
| AUX1NO+1NCDCM/DMM | 1314300 | 16 A | 380 V a.c. | 1 NO + 1 NC | 1 |
| AUX2NO+2NCDCM/DMM | 1314301 | 16 A | 380 V a.c. | 2 NO + 2 NC | 1 |

1314301

Shaft supporting set for DMM 40 to 160 A



| Part number | Article number | Pack qty |
|-----------------|----------------|----------|
| SHAFTSETDCM/DMM | 1314369 | 1 |

1314369

Connection set for DMM 80 A, 100 A, 125 A and 160 A



| Part number | Article number | Connecting capacity | Pack qty |
|-------------|----------------|--|----------|
| SETDMM125* | 1314232* | 2 x 2.5 mm ² up to 50 mm ² | 1 |

1314232

*Cannot be used with part number 1314330

Transparent terminal cover



1314331

| DMM | Part number | Article number | Pack qty |
|---------|-------------------|----------------|----------|
| DMM 40 | COVERDCM/DMM40/63 | 1314331 | 1 |
| DMM 63 | | | |
| DMM 80 | | | |
| DMM 100 | COVERDCM/DMM125* | 1314330* | 1 |
| DMM 125 | | | |
| DMM 160 | | | |

*Cannot be used with part number 1314332

Technical data

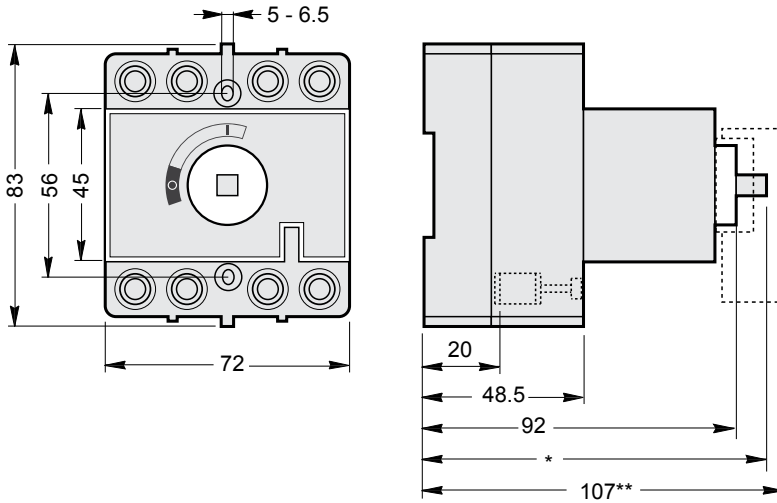
| | | | DMM 40 | DMM 63 | DMM 80 | DMM 100 | DMM 125 | DMM 160 |
|---|---|-------------|------------------------|------------------------|------------------------|------------------------|------------------------|------------------------|
| Conventional free air thermal current | I_{th} | | 40 A | 63 A | 80 A | 100 A | 125 A | 160 A |
| Conventional enclosed thermal current | I_{the} | 35°C / 50°C | 40 A | 63 A | 80 A | 100 A | 125 A | 160 A |
| Rated uninterrupted current | I_u | | 40 A | 63 A | 80 A | 100 A | 125 A | 160 A |
| Rated operational voltage | U_e | | 690 V | 690 V | 690 V | 690 V | 690 V | 690 V |
| Rated insulation voltage | U_i | | 690 V | 690 V | 690 V | 690 V | 690 V | 690 V |
| Rated impulse withstand voltage | U_{imp} | | 6 kV | 6 kV | 6 kV | 6 kV | 6 kV | 6 kV |
| Rated frequency | | | 50/60 Hz | 50/60 Hz | 50/60 Hz | 50/60 Hz | 50/60 Hz | 50/60 Hz |
| Storage temperature | | | -25°C..+80°C | -25°C..+80°C | -25°C..+80°C | -25°C..+80°C | -25°C..+80°C | -25°C..+80°C |
| Max altitude (without derating) | | | 2000 m | 2000 m | 2000 m | 2000 m | 2000 m | 2000 m |
| Rated operational current | | | | | | | | |
| AC-21A | At $U_e = 415$ V AC-21A | I_e | 40 A | 63 A | 80 A | 100 A | 125 A | 160 A |
| | At $U_e = 500$ V AC-21A | I_e | 40 A | 63 A | 80 A | 100 A | 125 A | 160 A |
| | At $U_e = 690$ V AC-21A | | 40 A | 63 A | 80 A | 100 A | 125 A | 160 A |
| AC-22A | At $U_e = 415$ V AC-22A | I_e | 40 A | 63 A | 80 A | 100 A | 125 A | 160 A |
| | At $U_e = 500$ V AC-22A | | 40 A | 63 A | 80 A | 100 A | 125 A | 160 A |
| | At $U_e = 690$ V AC-22A | | 40 A | 63 A | 80 A | 100 A | 125 A | 160 A |
| AC-23A | At $U_e = 415$ V AC-23A | I_e | 40 A | 63 A | 80 A | 100 A | 66 A | 140 A |
| | At $U_e = 500$ V AC-23A | | 25 A | 25 A | 66 A | 66 A | 66 A | 66 A |
| | At $U_e = 690$ V AC-23A | | 25 A | 25 A | 42 A | 42 A | 42 A | 42 A |
| Rated operational power | | | | | | | | |
| | At $U_e = 415$ V AC-23A | P | 22 kW | 30 kW | 45 kW | 55 kW | 37 kW | 30 kW |
| | At $U_e = 500$ V AC-23A | P | 15 kW | 15 kW | 45 kW | 45 kW | 45 kW | 45 kW |
| | At $U_e = 690$ V AC-23A | P | 22 kW | 22 kW | 37 kW | 37 kW | 37 kW | 40 kW |
| Rated breaking capacity | | | | | | | | |
| | At $U_e = 415$ V | I | 320 A | 504 A | 833 A | 1029 A | 528 A | 1120 A |
| | At $U_e = 500$ V | I | 200 A | 200 A | 528 A | 528 A | 528 A | 528 A |
| | At $U_n = 690$ V | I | 200 A | 200 A | 336 A | 336 A | 336 A | 336 A |
| Rated short-time withstand current | I_{cw} | | 1.5 kA - 1 s | 1.5 kA - 1 s | 2.5 kA - 1s | 2.5 kA - 1s | 2.5 kA - 1 s | 2.5 kA - 1 s |
| Rated short-circuit making capacity | I_{cm} | | 2.2 kA - 1 s | 2.2 kA - 1 s | 3.6 kA | 3.6 kA | 3.6 kA - 1 s | 3.6 kA - 1 s |
| Rated conditional short-circuit current | $I_p(I_q)$ | 415 V | 100 kA | 100 kA | 30 kA | 30 kA | 30 kA | 30 kA |
| | | 690 V | 50 kA | 50 kA | 50 kA | 50 kA | 50 kA | 50 kA |
| Cut-off current | max. | 415 V | 7.93 kA | 7.93 kA | 13.7 kA | 13.7 kA | 13.7 kA | 13.7 kA |
| | | 690 V | 8.49 kA | 8.49 kA | 13.5 kA | 13.5 kA | 13.5 kA | 13.5 kA |
| Joule integral | max. | 415 V | 10.5 kA ² s | 10.5 kA ² s | 134 kA ² s | 134 kA ² s | 134 kA ² s | 134 kA ² s |
| | | 690 V | 25.5 kA ² s | 25.5 kA ² s | 86.9 kA ² s | 86.9 kA ² s | 86.9 kA ² s | 86.9 kA ² s |
| Fuse-link gG max | I_n | 415 V | P5gG63-000, 63 A | | P5gG160-1, 160 A | | P5gG160-1, 160 A | |
| | | 690 V | 80NHG00B-69, 80 A | | P6gG125-1, 125 A | | P6gG125-1, 125 A | |
| Power dissipation per pole | P | | 0.6 W | 1.5 W | 2.9 W | 3.6 W | 5.5 W | 9.1 W |
| Durability - maximum cycles (on+off) | | | 10.000 | 10.000 | 10.000 | 10.000 | 10.000 | 10.000 |
| Pollution degree | | | III/3 | III/3 | III/3 | III/3 | III/3 | III/3 |
| Protection class | | | IP20 | IP20 | IP20 | IP20 | IP20 | IP20 |
| Tightening torque | | | 2 Nm | 2 Nm | 7 Nm | 7 Nm | 7 Nm | 7 Nm |
| Copper conductor.Stranded/Flexible | | | 6 - 70 mm ² | 6 - 70 mm ² | 6 - 70 mm ² | 6 - 70 mm ² | 6 - 70 mm ² | 6 - 70 mm ² |
| Standards and certifications | IEC 60947-3, EAC, KEMA-KEUR, Lloyd's Register | | | | | | | |

Switch-disconnectors, 40 A to 160 A, AC-23 A

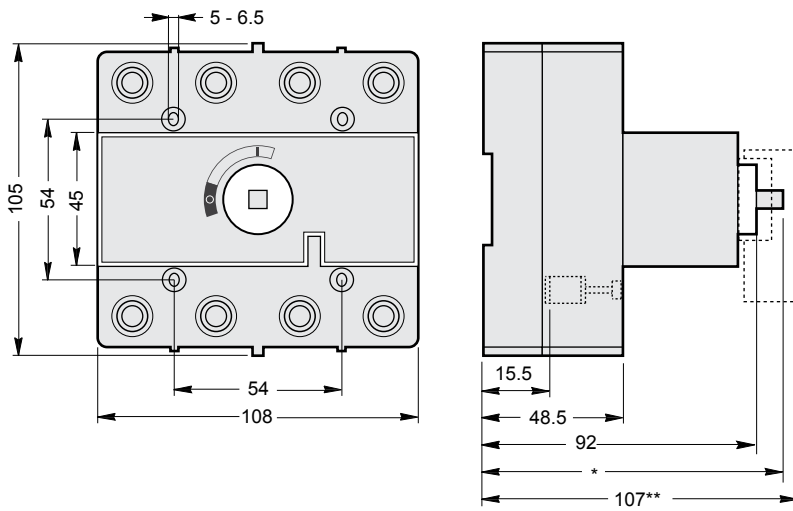
DMM Dumeco switch-disconnectors

Outline drawings

DMM 40 A and DMM 63 A - mm



DMM 80A, 100 A, 125 A and DMM 160 A - mm

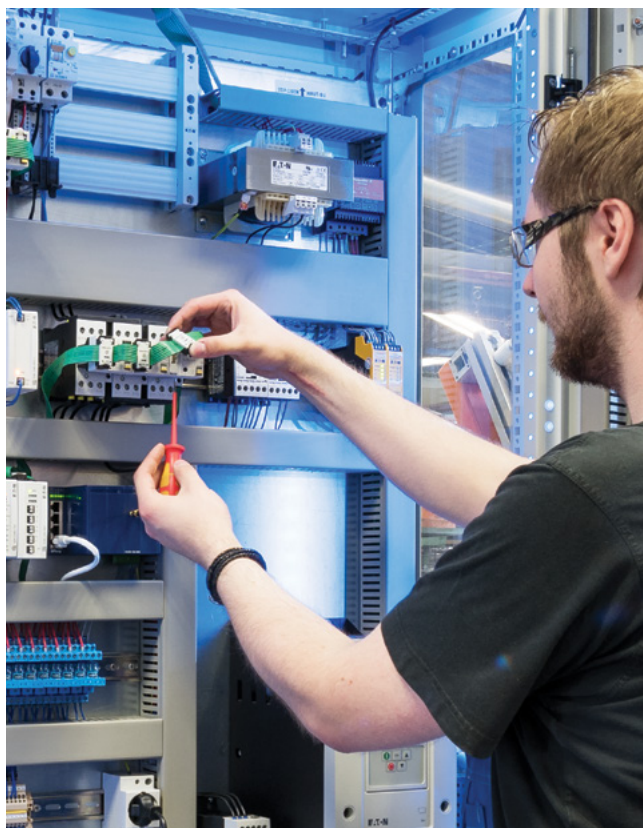


* Dependent on the applied operating shaft

** With integrated black rotary handle

At Eaton, we serve the needs of machine builders and their customers across the globe.

As one of the world's leading power management companies, we provide energy efficient solutions designed to help our customers use electrical, fluid and mechanical power more efficiently, safely, economically and sustainably. Our future-proof solutions will help you meet both current and future challenges, even in a world driven by Industry 4.0. To this end, we are bringing together electrical engineering with hydraulics and IT, respectively. Whether in-house or jointly with our partners, we create integrated industry technologies for the machine-building industry.



Eaton brings you a new dimension of expertise.

With ever shorter product lifecycles, customers now expect you to design and build highly customized machines, or to retrofit existing ones, at a faster pace and at lower cost than ever before. Your customers demand machines that operate reliably, error-free, and with maximum energy efficiency.

By equipping your machines with our best-in-class electrical and hydraulic solutions, you are guaranteed to achieve higher levels of accuracy, speed, energy efficiency, reliability, and flexibility. Eaton is one of the only suppliers globally that to offer integrated solutions for both hydraulic and electrical systems in machinery and equipment.

Integrated Industry Technologies: Innovations that are the product of a great legacy.

As we have grown, our solutions portfolio has also diversified; by integrating the unique capabilities and product families of market leaders such as Aeroquip, Moeller, Vickers, Bussmann, F&G and Heinemann, we are able to deliver innovation across a broad range of sophisticated products and solutions that is continuously being expanded. One of our main priorities is to combine these technologies into one innovative solution. This includes both the Electrical and the Hydraulics sector, as well as IT and machine controls for our Industry 4.0 solutions. In this way, our customers benefit from Eaton's Integrated Industry Technologies and the future-proof solutions that they offer.

Switch-disconnectors, 40 A and 63 A, AC-21 A and AC-22 A

DCM Duco switch-disconnectors, 40 A and 63 A, 415 V a.c.



Description

The DCM Duco switch-disconnectors provide safe isolation in a wide range of low voltage applications. Thanks to their excellent making and breaking capacity under load conditions they are particularly suited for use in distribution panels and for machine controls.

Standards/Approvals

- IEC 60947-3
- EAC
- KEMA-KEUR,
- Lloyd's Register

Technical data

- Voltage: 415 V ac.
- Current: 40 A and 63 A
- 3-pole + solid neutral and 4-poles
- Semi-independent manual operation mechanism
- AC-21 A and AC-22 A

Mounting options

Suitable for DIN-Rail mounting and 45 mm standard panel cut-out
Direct operation or with door mount knob

Features

- Compact
- Enclosure made of non-tracking synthetic material
- Semi-independent manual operation mechanism
- Various shaft lengths
- Suitable for padlocking in OFF position (1 padlock, diameter up to 5 mm)
- Available as basic switch body with a selection of shafts and handles or with integrated black rotary handle
- Available with horizontal cable connection
- Available for front mounting

DCM range overview

| | 40 A | 63 A |
|---|------|------|
| Switch-disconnectors with integrated black rotary handle | ✓ | ✓ |
| Switch-disconnectors without shaft and knob | ✓ | ✓ |
| Switch-disconnectors with shaft C Type handles for mounting on Halyester cover only | ✓ | ✓ |

DCM with integrated black rotary handle



1314106

| Thermal current I_{the} | Number of poles | Part number | Article number | Pack qty |
|---------------------------|--------------------|-------------|-------------------------|----------|
| 40 A | 3P + solid neutral | DCM-40/1 | 1314106 | 1 |
| 40 A | 4P | DCM-40/4 | 1314110 | 1 |
| 63 A | 3P + solid neutral | DCM-63/1 | 1314004 | 1 |
| 63 A | 4P | DCM-63/4 | 1314006 | 1 |

DCM without shaft and handle



1314109 Vertical cable connection



1314104 Horizontal cable connection



1314113 Front mounting

| Thermal current I_{the} | Number of poles | Part number | Article number | Pack qty |
|------------------------------------|--------------------|----------------|-------------------------|----------|
| Vertical cable connection | | | | |
| 40 A | 3P + solid neutral | DCM-40/1-SK+VC | 1314105 | 1 |
| 40 A | 4P | DCM-40/4-SK+VC | 1314109 | 1 |
| 63 A | 3P + solid neutral | DCM-63/1-SK+VC | 1314003 | 1 |
| 63 A | 4P | DCM-63/4-SK+VC | 1314016 | 1 |
| Horizontal cable connection | | | | |
| 40 A | 3P + solid neutral | DCM-40/1-SK+HC | 1314104 | 1 |
| 40 A | 4P | DCM-40/4-SK+HC | 1314108 | 1 |
| 63 A | 3P + solid neutral | DCM-63/1-SK+HC | 1314002 | 1 |
| 63 A | 4P | DCM-63/4-SK+HC | 1314015 | 1 |
| Front mounting | | | | |
| 40 A | 3P + solid neutral | DCM-40/1-SK+FM | 1314112 | 1 |
| 40 A | 4P | DCM-40/4-SK+FM | 1314113 | 1 |
| 63 A | 4P | DCM-63/4-SK+FM | 1314009 | 1 |

DCM with shaft and cover mounted handle, without interlock function, for example when mounted on Eaton's Halyester enclosure range



1314007

| Thermal current I_{the} | Number of poles | Height* | Part number | Article number | Pack qty |
|---------------------------|--------------------|---------|-------------|-------------------------|----------|
| 40 A | 3P + solid neutral | 116 mm | DCM-40/1+CM | 1314107 | 1 |
| 40 A | 4P | 116 mm | DCM-40/4+CM | 1314111 | 1 |
| 63 A | 3 + solid neutral | 116 mm | DCM-63/1+CM | 1314005 | 1 |
| 63 A | 4P | 116 mm | DCM-63/4+CM | 1314007 | 1 |

* Height of switch from bottom of switch to top of operating shaft

Switch-disconnectors, 40 A and 63 A, AC-21 A and AC-22 A

DCM Duco switch-disconnectors

Handles and shafts

Handles mounting types overview

| Duco | K Type handles | A Type handles | | | C Type handles | | D/P Type handles | | |
|------|----------------|----------------|-----|------|----------------|-----|------------------|------------|------|
| | | Blue | Red | Grey | Blue | Red | Blue | Red/Yellow | Grey |
| 40 A | K1 | ✓ | ✓ | ✓ | ✓ | ✓ | ✓ | ✓ | ✓ |
| 63 A | K1 | ✓ | ✓ | ✓ | ✓ | ✓ | ✓ | ✓ | ✓ |

A Type: Handle mounted directly on switch

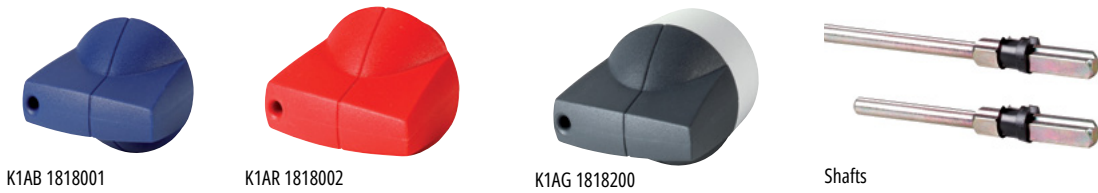
C Type: Without interlock function, for example when mounted on the cover of Eaton's Halyester enclosure range

D/P Type: Handle padlockable for mounting on hinged door, with interlock function

See handles dimensions pages 95 to 98

A Type handles

Mounted directly on switch



| A Type handles | | | Metal shafts | | | | | | | Pack qty |
|-----------------|-----------------|-----------------|--------------|---|------------------------|------------------------|--------------------------------|------------------------|--------------------------------|----------|
| Handles colours | | | Shaft mm□ | Length of shafts (length from base of switch to top of shaft) | | | | | | |
| Blue | Red | Grey | | 100 mm | 116 mm | 132 mm | 156 mm | 254 mm | 384 mm | |
| K1AB 1818001 | K1AR 1818002 | K1AG 1818200 | 6 x 6 | 4K6116MMDCM/ DMM 1314335 | 4K6132MMDMM 1314341 | 4K6148MMDMM 1314342 | 4K6172MMDCM/ DMM 1314334 | 4K6270MMDMM 1314374 | 4K6400MMDCM/ DMM 1314370 | 1 |

C Type handles

Without interlock function, for example when mounted on the cover of Eaton's Halyester enclosure range



| C Type handles | | Metal shafts | | | | | | | Pack qty |
|-----------------|-----------------|--------------|---|------------------------|------------------------|----------------------------|------------------------|----------------------------|----------|
| Handle colours | | Shaft mm□ | Length of shafts (length from base of switch to top of shaft) | | | | | | |
| Blue | Red/yel-low | | 100 mm | 116 mm | 132 mm | 156 mm | 254 mm | 384 mm | |
| K1CB 1818015 | K1CR 1818016 | 6 x 6 | 4K6116MMDCM/DMM 1314335 | 4K6132MMDMM 1314341 | 4K6148MMDMM 1314342 | 4K6172MMDCM/DMM 1314334 | 4K6270MMDMM 1314374 | 4K6400MMDCM/DMM 1314370 | 1 |

D/P Type handles

Padlockable for mounting on hinged door, with interlock function



| D/P Type handles | | | Metal shafts | | | | | | Pack qty | |
|-------------------|-------------------|-------------------|--------------|---|------------------------|------------------------|--------------------------------|------------------------|--------------------------------|---|
| Handle colours | | | Shaft mm□ | Length of shafts (length from base of switch to top of shaft) | | | | | | |
| Blue | Red/yel-low | Grey | | 100 mm | 116 mm | 132 mm | 156 mm | 254 mm | 384 mm | |
| K1DB/P 1818029 | K1DR/P 1818030 | K1DG/P 1818031 | 6 x 6 | 4K6116MMDCM/ DMM 1314335 | 4K6132MMDMM 1314341 | 4K6148MMDMM 1314342 | 4K6172MMDCM/ DMM 1314334 | 4K6270MMDMM 1314374 | 4K6400MMDCM/ DMM 1314370 | 1 |

Accessories

Front mounting kit



1314344

| DCM | Part number | Article number | Pack qty |
|----------|-----------------|----------------|----------|
| DCM 40 A | FRONTKITDCM/DMM | 1314344 | 1 |
| DCM 63 A | | | 1 |

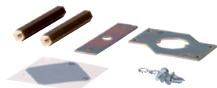
Auxiliary switch set



1314301

| Part number | Article number | Current | Voltage | Contact | Pack qty |
|-----------------|----------------|---------|------------|-------------|----------|
| AUX1NO+1NCD/MMM | 1314300 | 16 A | 380 V a.c. | 1 NO + 1 NC | 1 |
| AUX2NO+2NCD/MMM | 1314301 | 16 A | 380 V a.c. | 2 NO + 2 NC | 1 |

Shaft supporting set for use with 384 mm shaft (article number 1314370)



1314369

| DCM | Part number | Article number | Pack qty |
|----------|-----------------|----------------|----------|
| DCM 40 A | SHAFTSETDCM/DMM | 1314369 | 1 |
| DCM 63 A | | | 1 |

Transparent terminal cover



1314331

| DCM | Part number | Article number | Pack qty |
|----------|-------------------|----------------|----------|
| DCM 40 A | COVERDCM/DMM40/63 | 1314331 | 1 |
| DCM 63 A | | | 1 |

Conversion kits for locking the D Type handles in both On and Off position



1818103

| QSA | Part number | Article number | Pack qty |
|----------|-------------------|----------------|----------|
| DCM 40 A | ADAPTORPADLOCK-K1 | 1818103 | 1 |
| DCM 63 A | | | 1 |

Coupling links for extension of universal shafts



1319833

| QSA | Shaft mm□ | Part number | Article number | Pack qty |
|----------|-----------|-------------|----------------|----------|
| DCM 40 A | 6 x 6 | COUP6X6MM | 1319833 | 1 |
| DCM 63 A | 6 x 6 | | | 1 |

Switch-disconnectors, 40 A and 63 A, AC-21 A and AC-22 A

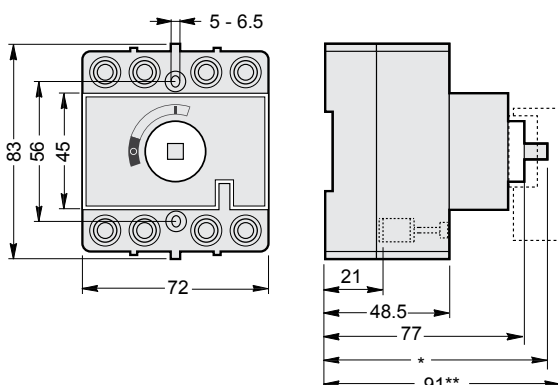
DCM Duco switch-disconnectors

Technical data

| | | DCM 40 | DCM 63 |
|---|------------|-----------------------------|-----------------------------|
| Conventional free air thermal current | I_{th} | 40 A | 63 A |
| Conventional enclosed thermal current | I_{the} | 40 A | 63 A |
| Rated uninterrupted current | I_u | 40 A | 63 A |
| Rated operational voltage | U_e | 415 V | 415 V |
| Rated insulation voltage | U_i | 690 V | 800 V |
| Rated impulse withstand voltage | U_{imp} | 6 kV | 6 kV |
| Rated frequency | | 50 Hz | 50 Hz |
| Max altitude (without derating) | | 2000 m | 2000 m |
| Rated operational current | | | |
| At $U_e = 415$ V AC-21A | I_e | 40 A | 63 A |
| At $U_e = 415$ V AC-22A | I_e | 40 A | 63 A |
| At $U_e = 415$ V AC-23A | I_e | 40 A | 63 A |
| Rated operational power | | | |
| At $U_e = 415$ V AC-23A | | 16.6 kW | 26 kW |
| Rated short-time withstand current | I_{cw} | 1.5 kA | 1.5 kA |
| Rated short-circuit making capacity | I_{cm} | 2.2 kA | 2.2 kA |
| Rated conditional short-circuit current | $I_p(I_q)$ | 415 V: 50 kA | 415 V: 50 kA |
| Cut-off current | max. | 690 V: 7 kA | 690 V: 7 kA |
| Joule integral | max. | 690 V: 12 kA ² s | 690 V: 12 kA ² s |
| Fuse-link max | I_n | 690 V: 50 A | 690 V: 800 A |
| Power dissipation per pole | P | 0.6 W | 1.5 W |
| Terminal capacities | | | |
| Copper connector: | | | |
| Solid | | 2.5 - 6 mm ² | 2.5 - 6 mm ² |
| Stranded | | 2.5 - 25 mm ² | 2.5 - 25 mm ² |
| Flexible | | 1.5 - 25 mm ² | 1.5 - 25 mm ² |
| Tightening torque | | 2 Nm | 2 Nm |
| Pollution degree | | III/3 | III/3 |
| Protection class | | IP20 | IP20 |
| Standards | | EN-IEC 60947-3, EAC | |
| Certification | | KEMA-KEUR, Lloyd's Register | |

Outline drawing

DCM Duco 40 A and 63 A - mm





Worldwide export of machines and plants

European machine and system building and worldwide exports are closely related. Even if you don't export your machines at present, you should be prepared for it in the future. Eaton provides switchgear and protective devices with all the essential approvals and certificates for machine and system building. In most countries around the world, conformity with international standards is the sole requirement for successful exports. This is because components in these locations are governed by compliance with well known and established IEC standards. In this respect, the European CE mark is not only the passport for exports within Europe but also far beyond its borders.



World market equipment for machine building

Nearly all the switchgear and protective devices of Eaton's Moeller series are world market devices. Each product line thus carries all the approvals and certification marks required for worldwide use.

These product lines include those for

- Pilot devices, limit switches
- Contactors and various timing and special relays
- Motor-protective circuit breakers and relays
- Electronic components and systems.

With circuit breakers and switch-disconnectors, Eaton offers IEC devices for use in most countries in the world and NA devices with virtually the same dimensions and the same accessories for the North American market. This considerably simplifies device selection since the North American standards often involve the need for considerably different technical specifications.

DMV Change-over mechanisms, 160 A to 2000 A, 690 V a.c.

DMV Change-over mechanisms, 160 A to 2000 A, 690 V a.c. for DMV switch-disconnectors



Description

The Dumeco DMV change-over mechanisms convert DMV switch-disconnectors into 3 to 4-pole change-over switches.

Standards/Approvals

- IEC 60947-3
- EAC
- KEMA-KEUR
- Lloyd's Register
- CCC up to 1250 A

Technical data

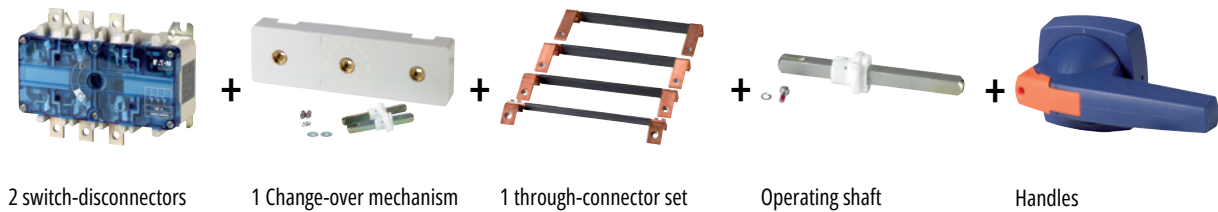
- Voltage: 690 V ac.
- Current: 160 A to 2000 A

Features

- Compact
- Made of non-tracking material
- Independent manual operation
- Easy installation of 3-pole + solid neutral or 4-pole

Parts required for the change-over mechanisms

- 2 switch-disconnectors
- 1 Change-over mechanism
- 1 through-connector set (4-pole)
- 1 operating shaft (6 mm, 10 mm or 14 mm shaft)
- 1 change-over handle. **Note: Use 2 standard handles for 1250 A, 1600 A and 2000 A DMV switch-disconnectors**



Change-over mechanisms for Dumeco DMV switch-disconnectors



1314314

| Suitable for DMV | Part number | Article number | Pack qty |
|------------------------------------|--------------------------|----------------|----------|
| DMV 160N | CODMV160N* | 1314314* | 1 |
| DMVS 160N, DMV 250N and DMV 400N | CODMVS160N/400N | 1314884 | 1 |
| DMV 630N and DMV 1000N | CODMV630N/1000N | 1314682 | 1 |
| DMV 1250N, DMV 1600N and DMV 2000N | CODMV1250/1600/2000A3P** | 1314336** | 1 |



1314884

*1314314: Operating shaft included (shaft length = 70 mm from top of change-over mechanism)

**1314336: When door mounted padlockable handle (D/P Type) is required 2 additional standard shafts (Article number 1050250) and 2 additional handles (Article number 1818076) are necessary

Bridge connector set



1314320



1314881

| Suitable for DMV | Part number | Article number | Pack qty |
|---------------------|------------------|----------------|--------------|
| DMV 160N | SETDMV160N | 1314320 | 1 (4 pieces) |
| DMVS 160N, DMV 250N | SETDMVS160N/250N | 1314878 | 1 (4 pieces) |
| DMV 400N | SETDMV400N | 1314879 | 1 (4 pieces) |
| DMV 630N | SETDMV630N | 1314881 | 1 (4 pieces) |
| DMV 1000N | SETDMV1000N | 1314883 | 1 (4 pieces) |

DMV Change-over mechanisms, 160 A to 2000 A, 690 V a.c.

DMV Change-over mechanisms

Handles and shafts

Handles mounting types overview

| DMV | K Type handles | Shaft square mm | A Type handles | | | D/P Type handles* |
|-----------|----------------|-----------------|----------------|-----|------|-------------------|
| | | | Blue | Red | Grey | Blue |
| DMV 160N | K2S | 6 x 6 | ✓ | ✓ | | ✓* |
| DMVS 160N | K3 | 6 x 6 | ✓ | ✓ | ✓ | ✓* |
| DMV 250N | K3 | 10 x 10 | ✓ | ✓ | ✓ | ✓* |
| DMV 400N | K3 | 10 x 10 | ✓ | ✓ | ✓ | ✓* |
| DMV 630N | K5 | 14 x 14 | ✓ | ✓ | ✓ | ✓* |
| DMV 1000N | K5 | 14 x 14 | ✓ | ✓ | ✓ | ✓* |
| DMV 1250N | K6 (2x) | 14 x 14 | ✓ | ✓ | ✓ | |
| | K5 | 14 x 14 | | | | ✓* |
| DMV 1600N | K6 (2x) | 14 x 14 | ✓ | ✓ | ✓ | |
| | K5 | 14 x 14 | | | | ✓* |
| DMV 2000N | K6 (2x) | 14 x 14 | ✓ | ✓ | ✓ | |
| | K5 | 14 x 14 | | | | ✓* |

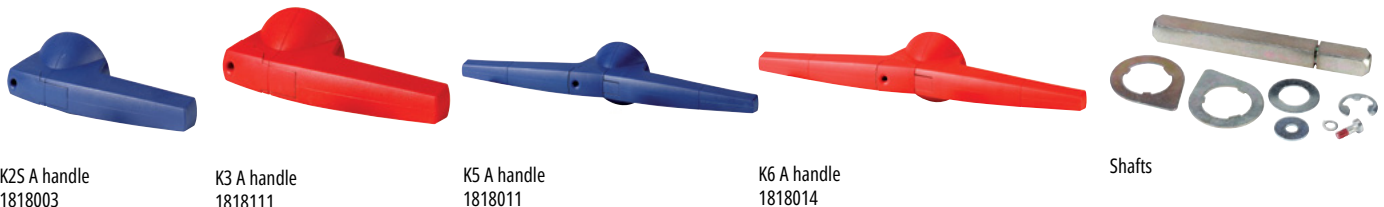
A Type: Handle mounted directly on switch

***D/P Type:** Handle padlockable for mounting on hinged door with interlock function. These handles are pre-printed with 1, 0, 2 position

See handles dimensions pages 95 to 98

A Type handles

Mounted directly on switch



K2S A handle
1818003

K3 A handle
1818111

K5 A handle
1818011

K6 A handle
1818014

Shafts

| Change-over mechanism | Suitable for DMV | A Type handles | | | Shaft mm□ | Metal shafts | | | | Pack qty |
|-----------------------------------|------------------|------------------|------------------|-----------------|-----------|---|-----------------------|-------------------------|-------------------------|----------|
| | | Handle colours | | | | Lenght of shafts | | | | |
| | | Blue | Red | Grey | | 185 mm | 200 mm | 230 mm | 400 mm | |
| CODMV160N 1314314 | DMV 160N | K2SAB 1818003 | K2SAR 1818004 | | | Shaft already included with the mechanism | | | | 1 |
| CODMVS160N/400N 1314884 | DMVS 160N | | | | 10 x 10 | 4K10H185COK3 1050251 | | | 4K10H400COK3 1050252 | 1 |
| | DMV 250N | K3AB 1818110 | K3AR 1818111 | K3AG 1818202 | | | | | | |
| | DMV 400N | | | | | | | | | |
| CODMV630N/1000N 1314682 | DMV 630N | K5AB 1818011 | K5AR 1818012 | | 14 x 14 | | | 4K14H230COK5 1050253 | 4K14H400COK5 1050254 | 1 |
| | DMV 1000N | | | | | | | | | |
| CODMV1250/1600/2000A3P 1314336 | DMV 1250N | | | | 14 x 14 | | | | | 1 |
| | DMV 1600N | K6AB 1818013 | K6AR 1818014 | | | | 4K14K6H200 1050248 | | 4K14K6H400 1050250 | |
| | DMV 2000N | | | | | | | | | |

Handles and shafts

D/P Type handles

Padlockable for mounting on hinged door, with interlock function



K02SDB/P handle
1818072



K03D/P handle
1818116



K05DB/P handle
1818076



Shafts

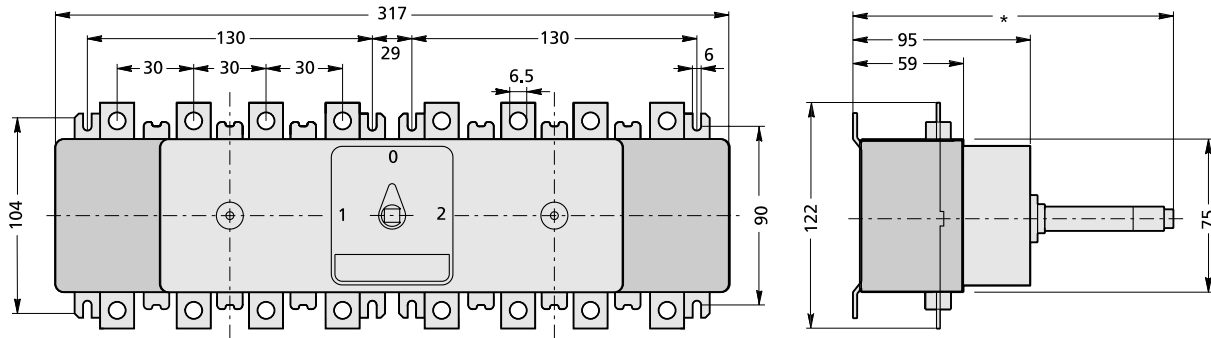
| Change-over mechanism | Suitable for DMV | D/P Type handles | | Metal shafts | | | | Pack qty | |
|-----------------------------------|------------------|---------------------|---------|---|------------------|-------------------------|-------------------------|----------|--------|
| | | Handle colours | | Shaft mm□ | Length of shafts | | | | |
| | | Blue | | | 185 mm | 200 mm | 230 mm | | 400 mm |
| CODMV160N 1314314 | DMV 160N | K02SDB/P 1818072 | | Shaft already included with the mechanism | | | | 1 | |
| CODMVS160N/400N 1314884 | DMVS 160N | K03DB/P 1818116 | 10 x 10 | 4K10H185COK3 1050251 | | | 4K10H400COK3 1050252 | 1 | |
| | DMV 250N | | | | | | | | |
| | DMV 400N | | | | | | | | |
| CODMV630N/1000N 1314682 | DMV 630N | K05DB/P 1818076 | 14 x 14 | | | 4K14H230COK5 1050253 | 4K14H400COK5 1050254 | 1 | |
| | DMV 1000N | | | | | | | | |
| CODMV1250/1600/2000A3P 1314336 | DMV 1250N | K06DB/P 1818078 | 14 x 14 | | | | | 1 | |
| | DMV 1600N | | | 4K14K6H200 1050248 | | | | | |
| | DMV 2000N | | | | | 4K14K6H400 1050250 | | | |

DMV Change-over mechanisms, 160 A to 2000 A, 690 V a.c.

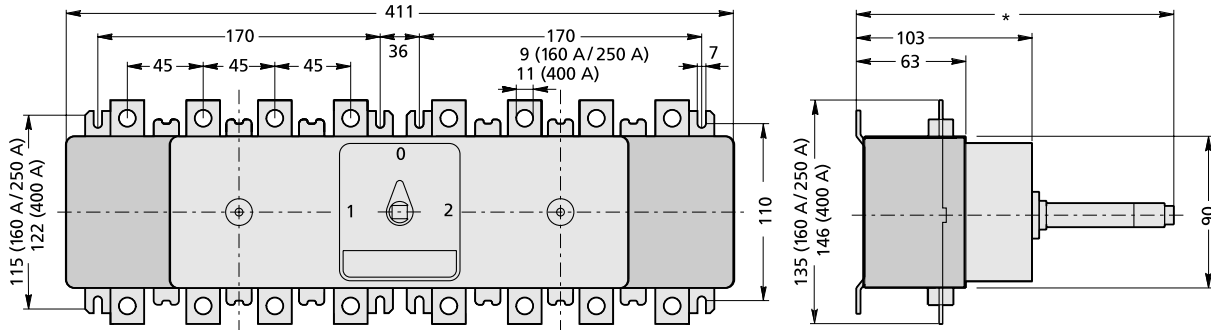
DMV Change-over mechanisms

Outline drawings

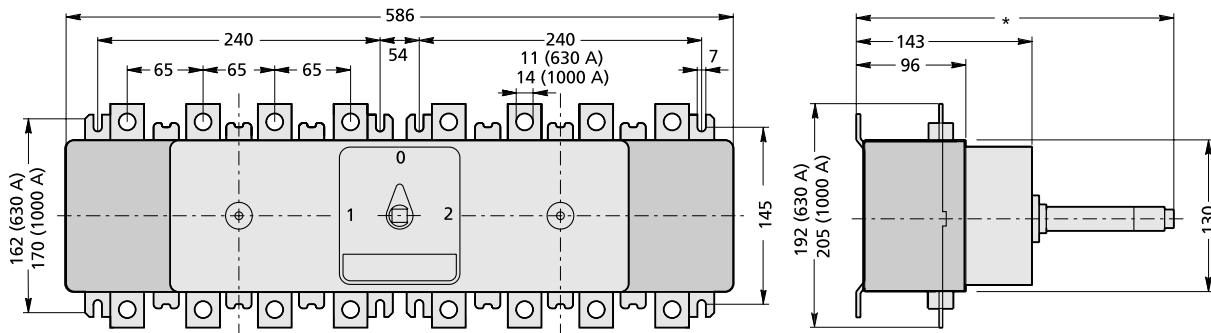
Change-over mechanisms suitable for DMV 160N - horizontal - mm



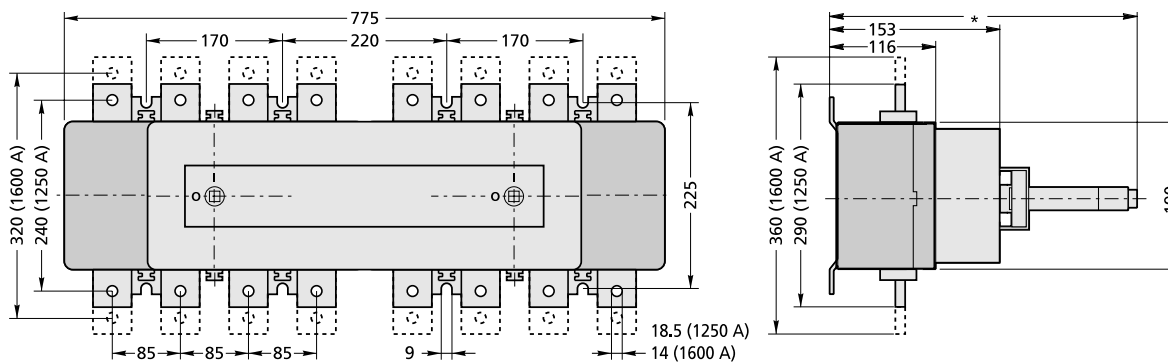
Change-over mechanisms suitable for DMVS 160N, DMV 250N and DMV 400N - horizontal - mm



Change-over mechanisms suitable for DMV 630N and DMV 1000N - horizontal - mm

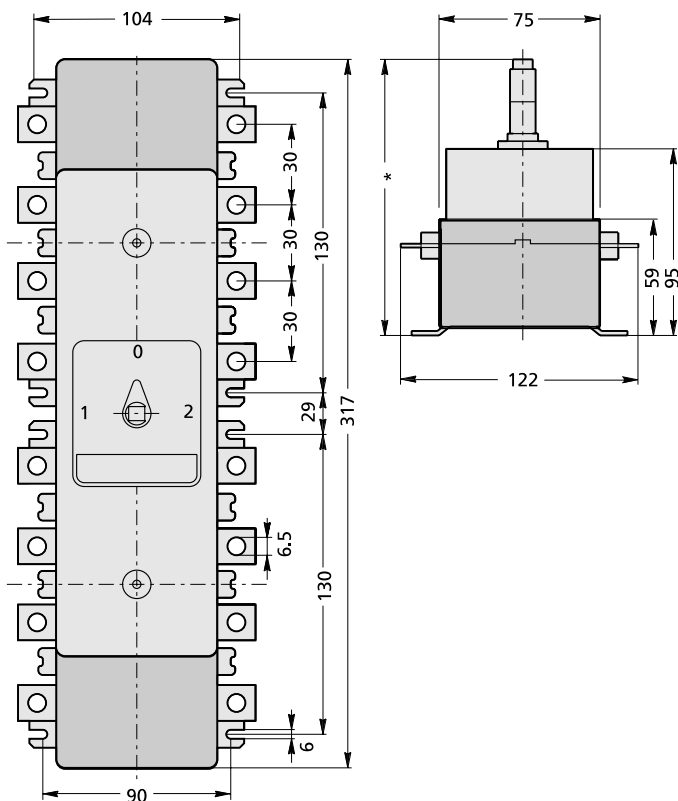


Change-over mechanisms suitable for DMV 1250N and DMV 1600N - horizontal

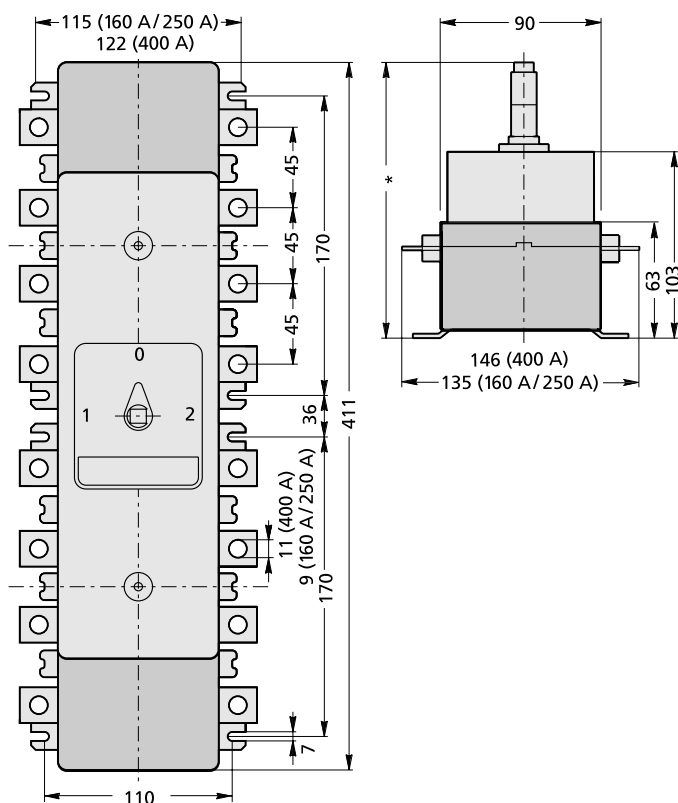


Outline drawings

Change-over mechanisms suitable for DMV 160N - vertical - mm



Change-over mechanisms suitable for DMVS 160N, DMV 250N and DMV 400N - vertical - mm



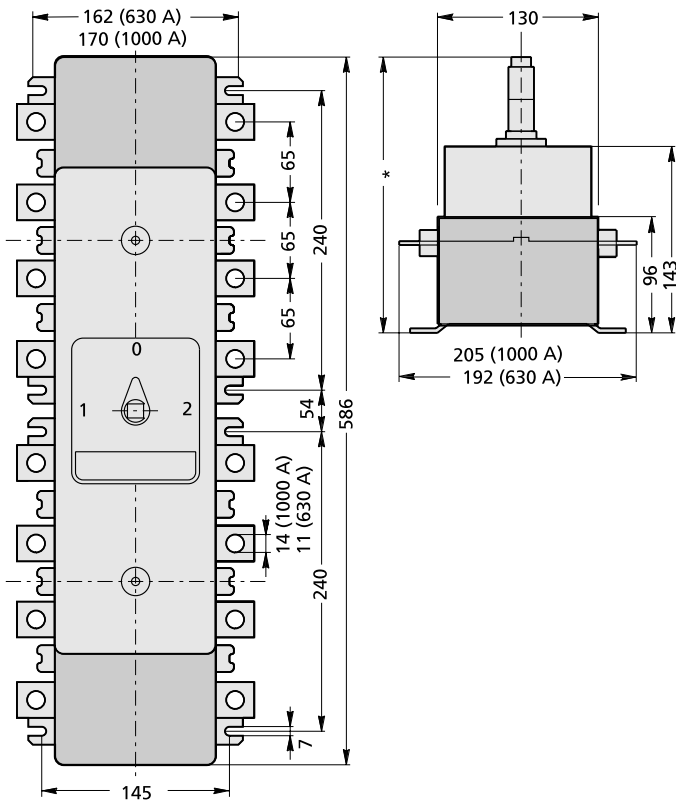
* Dependant on the applied operating shaft

DMV Change-over mechanisms, 160 A to 2000 A, 690 V a.c.

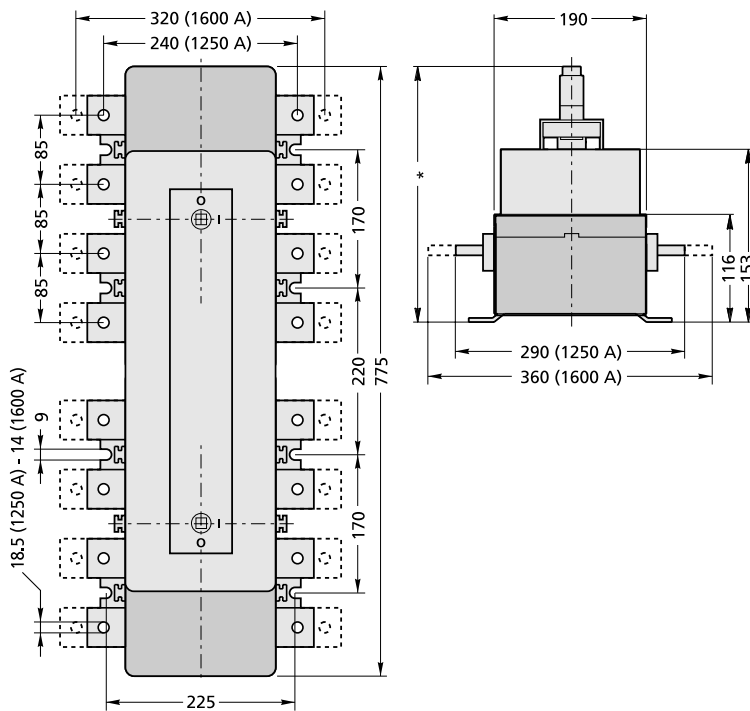
DMV Change-over mechanisms

Outline drawings

Change-over mechanisms suitable for DMV 630N and DMV 1000N - vertical - mm



Change-over mechanisms suitable for DMV 1250N and DMV 1600N - vertical - mm



* Dependant on the applied operating shaft

Optimise space and budget

Eaton are dedicated to offering innovative solutions that are safe, compact, reliable and financially efficient. With budgets across the sector increasingly squeezed, the importance of reducing costs across engineering, wiring, testing and commissioning is paramount to future profitability. Eaton can help you achieve this cost reduction and improve downtime in the process.

Standardize Operations

Our portfolio of standardised solutions can revolutionise your operational efficiency. Designed to meet global standards, manage costs and reduce energy consumption, Eaton can help you build state-of-the-art systems that are both easy to maintain and service.

Improve integrated performance

Offering compatibility with a wide variety of technology our solutions can be integrated into ready built systems to enhance flexibility, improve diagnostic output and increase communication between machines within a network.

Prioritize Safety

Safety is one of Eaton's greatest priorities throughout the machine building process, we are dedicated to developing safer working environments and reducing operational risks. Our solutions have been efficiently designed to meet all regulatory requirements without duplicating wiring or generating resource waste. The safeguards we implement at every stage of the process ensure risk of overload, damage or fire is minimized.



DMV Multipole mechanisms , 160 A to 1000 A, 690 V a.c.

DMV Multipole mechanisms, 160 A to 1000 A, 690 V a.c.



Description

The Dumeco DMV multipole mechanisms convert DMV switch-disconnectors into 6 to 8-pole disconnectors.

Standards/Approvals

- IEC 60947-3
- EAC
- KEMA-KEUR
- Lloyd's Register
- CCC

Technical data

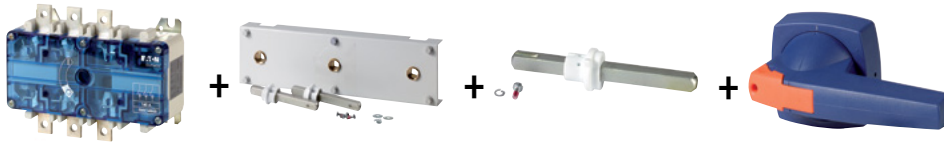
- Voltage: 690 V a.c.
- Current: 160 A to 1000 A

Features

- Compact
- Made of non-tracking materials
- Independent manual operation
- Easy installation of switched or solid neutral for 4-pole version

Required parts for the multipole mechanisms

- 2 switch-disconnectors
- 1 multipole mechanism
- 1 operating shaft (10 mm or 14 mm)
- 1 change-over handle.



2 switch-disconnectors

1 multipole mechanism

Operating shaft

Handles

Multipole mechanisms for Dumeco DMV switch-disconnectors



1314039

| Suitable for DMV | Part number | Article number | Pack qty |
|----------------------------------|-----------------|----------------|----------|
| DMV 160N | MPDMV160N | 1314337 | 1 |
| DMVS 160N, DMV 250N and DMV 400N | MPDMV250N/400N | 1314039 | 1 |
| DMV 630N and DMV 1000N | MPDMV630N/1000N | 1314040 | 1 |

Handles and shafts

Handles mounting types overview

| DMV | K Types handle | Shaft mm | A Type handles | | | D/P Type handles | | | D/C Type handles | | |
|-----------|----------------|----------|----------------|-----|------|------------------|-------------|------|------------------|-------------|------|
| | | | Blue | Red | Grey | Blue | Red/ Yellow | Grey | Blue | Red/ Yellow | Grey |
| DMV 160N | K3 | 10 x 10 | ✓ | ✓ | ✓ | ✓ | ✓ | ✓ | ✓ | ✓ | ✓ |
| DMVS 160N | K3 | 10 x 10 | ✓ | ✓ | ✓ | ✓ | ✓ | ✓ | ✓ | ✓ | ✓ |
| DMV 250N | K3 | 10 x 10 | ✓ | ✓ | ✓ | ✓ | ✓ | ✓ | ✓ | ✓ | ✓ |
| DMV 400N | K3 | 10 x 10 | ✓ | ✓ | ✓ | ✓ | ✓ | ✓ | ✓ | ✓ | ✓ |
| DMV 630N | K5 | 14 x 14 | ✓ | ✓ | ✓ | ✓ | ✓ | ✓ | ✓ | ✓ | ✓ |
| DMV 1000N | K5 | 14 x 14 | ✓ | ✓ | ✓ | ✓ | ✓ | ✓ | ✓ | ✓ | ✓ |

A Type: Handle mounted directly on switch

D/P Type: Handle padlockable for mounting on hinged door, with interlock function

D/C Type: Handle with cylinder lock for mounting on hinged door, supplied with two keys, with interlock function

See handles dimensions pages 95 to 98

DMV Multipole mechanisms , 160 A to 1000 A, 690 V a.c.

DMV Multipole mechanisms

Handles and shafts

A Type handles

Mounted directly on switch suitable for DMV 160N, DMVS 160N, DMV 250N up to DMV 1000N



K3 A handle
1818111



K5 A handle
1818011



Shafts

| Multipole mechanism | Suitable for DMV | A Type handles | | | Metal shafts | | | | Pack qty | | |
|----------------------------|------------------|-----------------|-----------------|-----------------|--------------|-----------------------|--------|-----------------------|-----------------------|--------|--|
| | | Handle colours | | | Shaft mm□ | Length of shafts | | | | | |
| | | Blue | Red | Grey | | 135 mm | 200 mm | 245 mm | | 400 mm | |
| MPDMV160N 1314337 | DMV 160N | | | | | | | | | | |
| MPDMV250N/400N 1314039 | DMVS 160N | K3AB 1818110 | K3AR 1818111 | K3AG 1818202 | 10 x 10 | 4K10K3H135 1050240 | | 4K10K3H245 1050242 | 4K10K3H400 1050243 | 1 | |
| | DMV 250N | | | | | | | | | | |
| | DMV 400N | | | | | | | | | | |
| MPDMV630N/1000N 1314040 | DMV 630N | K5AB 1818011 | K5AR 1818012 | | 14 x 14 | | | 4K14K5H200 1050244 | 4K14K5H400 1050247 | 1 | |
| | DMV 1000N | | | | | | | | | | |

D/P Type handles

Padlockable for mounting on hinged door, with interlock function, suitable for DMV 160N, DMVS 160N up to and DMV 1000N



K3 D/P handle
1818096



K5 D/P handle
1818056



Shafts

| Multipole mechanism | Suitable for DMV | D/P Type handles | | | Metal shafts | | | | Pack qty | | |
|----------------------------|------------------|-------------------|-------------------|-------------------|--------------|-----------------------|--------|-----------------------|-----------------------|--------|--|
| | | Handle colours | | | Shaft mm□ | Shaft length | | | | | |
| | | Blue | Red | Grey | | 135 mm | 200 mm | 245 mm | | 400 mm | |
| MPDMV160N 1314337 | DMV 160N | | | | | | | | | | |
| MPDMV250N/400N 1314039 | DMVS 160N | K3DB/P 1818113 | K3DR/P 1818096 | K3DG/P 1818069 | 10 x 10 | 4K10K3H135 1050240 | | 4K10K3H245 1050242 | 4K10K3H400 1050243 | 1 | |
| | DMV 250N | | | | | | | | | | |
| | DMV 400N | | | | | | | | | | |
| MPDMV630N/1000N 1314040 | DMV 630N | K5DB/P 1818056 | K5DR/P 1818057 | K5DG/P 1818058 | 14 x 14 | | | 4K14K5H200 1050244 | 4K14K5H400 1050247 | 1 | |
| | DMV 1000N | | | | | | | | | | |

Handles and shafts

D/C Type handles

With cylinder lock for mounting on hinged door, with interlock function, suitable for DMV 160N, DMVS 160N up to DMV 1000N



K3 D/C handle
1818097



K5 D/C handle
1818061



Shafts

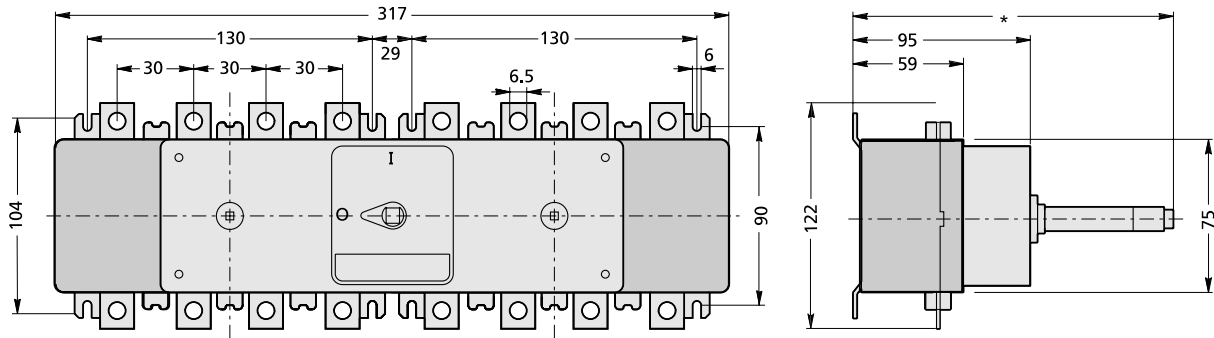
| Multipole mechanism | Suitable for DMV | D/C Type handles | | | Metal shafts | | | | Pack qty | |
|----------------------------|------------------|-------------------|-------------------|-------------------|--------------|-----------------------|--------|-----------------------|-----------------------|--------|
| | | Handle colours | | | Shaft mm□ | Length of shafts | | | | |
| | | Blue | Red | Grey | | 135 mm | 200 mm | 245 mm | | 400 mm |
| MPDMV160N 1314337 | DMV 160N | | | | | | | | | |
| MPDMV250N/400N 1314039 | DMVS 160N | K3DB/C 1818114 | K3DR/C 1818097 | K3DG/C 1818070 | 10 x 10 | 4K10K3H135 1050240 | | 4K10K3H245 1050242 | 4K10K3H400 1050243 | 1 |
| | DMV 250N | | | | | | | | | |
| | DMV 400N | | | | | | | | | |
| MPDMV630N/1000N 1314040 | DMV 630N | K5DB/C 1818059 | K5DR/C 1818060 | K5DG/C 1818061 | 14 x 14 | | | 4K14K5H200 1050244 | 4K14K5H400 1050247 | 1 |
| | DMV 1000N | | | | | | | | | |

DMV Multipole mechanisms , 160 A to 1000 A, 690 V a.c.

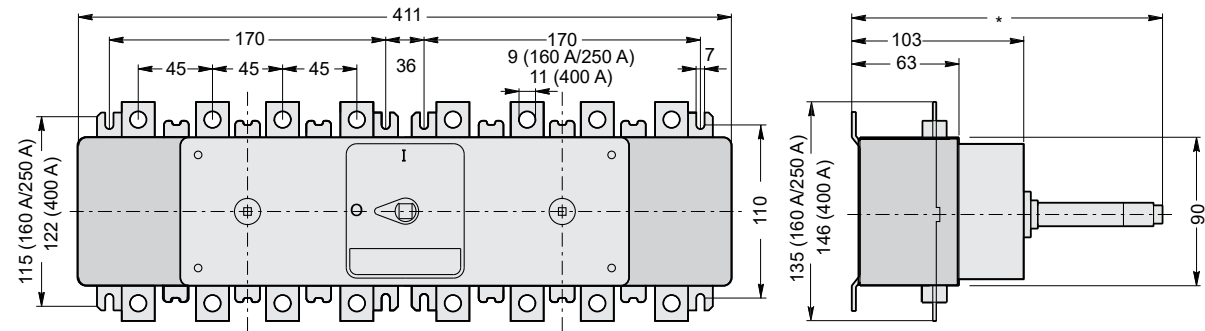
DMV Multipole mechanisms

Outline drawings

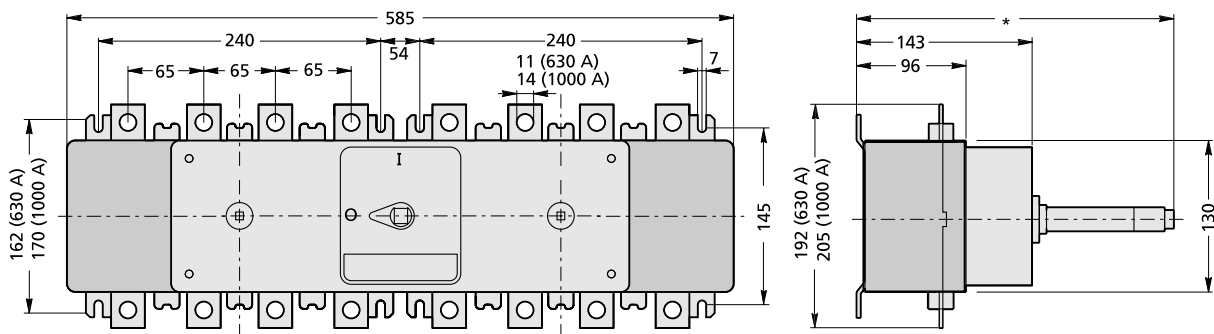
Multipole mechanisms suitable for DMV 160N - horizontal - mm



Multipole mechanisms suitable for DMVS 160N, DMV 250N and DMV 400N - horizontal - mm



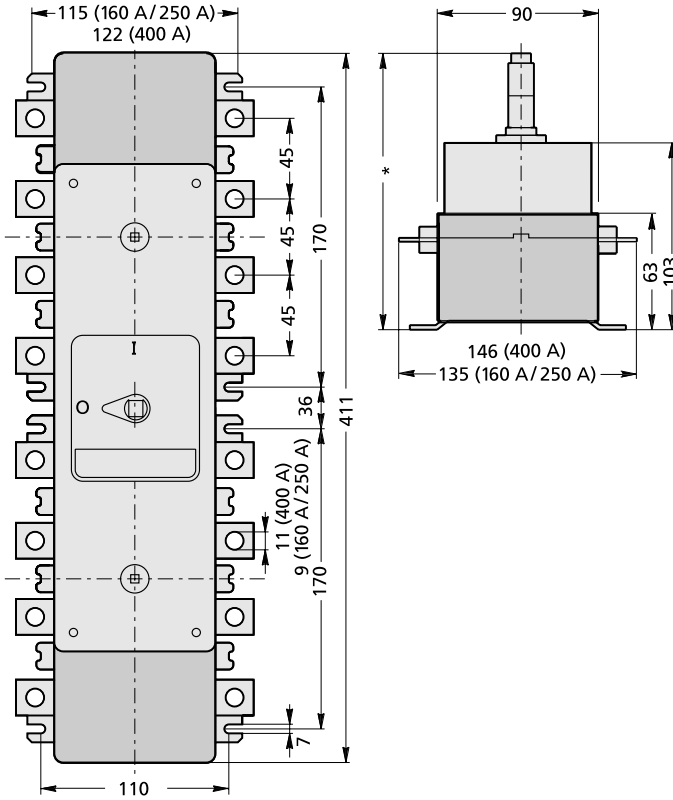
Multipole mechanisms suitable for DMV 630N and DMV 1000N - horizontal - mm



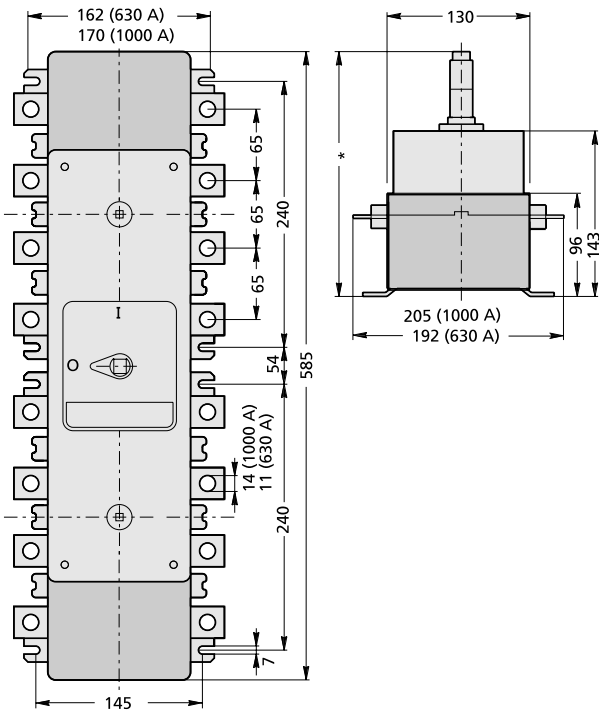
* Dependant on the applied operating shaft

Outline drawings

Multipole mechanisms suitable for DMVS 160N, DMV 250N and DMV 400N - vertical - mm



Multipole mechanisms suitable for DMVS 160N, DMV 250N and DMV 400N - vertical - mm



* Dependant on the applied operating shaft

Change-over and multipole switches, 40 A to 100 A, 690 V a.c.

QM Change-over and multipole switches, 40 A to 100 A, 690 V a.c.



Description

The change-over and multipole switches Type QM provide safe isolation in a wide range of low voltage applications where 6 to 8-poles are required, also the perfect solution for 3 to 4-pole change-over applications.

Thanks to their excellent making and breaking capacity under load conditions they are particularly suited for use in distribution panels and for machine controls.

Standards/Approvals

- IEC 60947-3
- EAC

Technical data

- Voltage: 690 V ac.
- Current: 40 A to 100 A
- 6 to 8-pole OFF-ON
- 3 or 4-pole change-over applications
- Direct operation or with door mount knob
- Utilisation category: AC-23A

Mounting options

- DIN-Rail mounting and base plate

Features

- Compact
- Made of non-tracking material
- Independent manual operation for ON and OFF switching
- Easy installation of switched or solid neutral for 4-pole version

QM Change-over and multipole switches - range overview

| | 40 A | 50 A | 63 A | 80 A | 100 A |
|---|------|------|------|------|-------|
| Change-over switches, 3 -pole and 3-pole + switched neutral | ✓ | | ✓ | | ✓ |
| Multipole switches, 6-pole and 6-pole + 2 switched neutral | | ✓ | | ✓ | |

QM Change-over switches



1319970

| Number of poles | Thermal current I_{the} | Suitable shaft | Part number | Article number | Pack qty |
|---------------------------|---------------------------|----------------|-------------|--------------------------|----------|
| 2 x 3P + switched neutral | 40 A | 6 x 6 mm | QM40/3N | 1319970 | 1 |
| 2 x 3P | 63 A | 6 x 6 mm | QM63/3 | 1319807 | 1 |
| 2 x 3P + switched neutral | 63 A | 6 x 6 mm | QM63/3N | 1319915 | 1 |
| 2 x 3P | 100 A | 6 x 6 mm | QM100/3 | 1319815 | 1 |
| 2 x 3P + switched neutral | 100 A | 6 x 6 mm | QM100/3N | 1319916* | 1 |

QM Multipole switches



1319904

| Number of poles | Thermal current I_{the} | Suitable shaft | Part number | Article number | Pack qty |
|-------------------------|---------------------------|----------------|-------------|-------------------------|----------|
| 6P | 50 A | 6 x 6 mm | QM63/6 | 1319806 | 1 |
| 6P + 2 switched neutral | 50 A | 6 x 6 mm | QM63/6N2 | 1319904 | 1 |
| 6P | 80 A | 6 x 6 mm | QM100/6 | 1319814 | 1 |
| 6P + 2 switched neutral | 80 A | 6 x 6 mm | QM100/6N2 | 1319905 | 1 |

Parts required for interlock door mounted handle

- 1 QM change-over or multipole switch
- 1 coupling for use with extension shaft
- 1 extension shaft for door mounting the operating knob
- 1 door coupling
- 1 operating knob



1 change-over or multipole switch

+



1 coupling for use with extension shaft

+



1 extension shaft for door mounting the operating knob

+



1 door coupling

+



1 operating knob

Change-over and multipole switches, 40 A to 100 A, 690 V a.c.

QM Change-over and multipole switches

Accessories

Coupling for use with extension shafts



1319833

| Shaft mm □ | Part number | Article number | Pack qty |
|------------|-------------|----------------|----------|
| 6 x 6 | COUP6X6MM | 1319833 | 1 |

Extension shaft for door mounting the operating knob



1319830

| Shaft mm □ | Length | Suitable for knob | Part number | Article number | Pack qty |
|------------|--------|-------------------|---------------|----------------|----------|
| 6 x 6 | 180mm | K1/K2S | 4K6180MMK1/2S | 1319830 | 1 |
| 6 x 6 | 300 mm | K1/K2S | 4K6300MMK1/2S | 1319831 | 1 |
| 6 x 6 | 600 mm | K1/K2S | 4K6600MMK1/2S | 1319832 | 1 |

Door coupling



1319857

| Description | Part number | Article number | Pack qty |
|---|-------------|----------------|----------|
| Door coupling base-plate for change-over and multipole switches | QMDOORCOUP | 1319857 | 1 |

Operating knob



1319855

| Description | Part number | Article number | Pack qty |
|--|-------------|----------------|----------|
| Operating knob black (0-1) for multipole switch | QMHANDLEMP | 1319855 | 1 |
| Operating knob, black (1-0-2) for change-over switch | QMHANDLECO | 1319856 | 1 |

Connection sets (4-pole) for change-over switch only



1319969

| QM | Part number | Article number | Pack qty |
|---------------|--------------|----------------|----------|
| QM40 and QM63 | QMCASET40/63 | 1319969 | 1 |
| QM 100 | QMCASET100 | 1319967 | 1 |

Solid neutrals



1319858

| QM | Number of poles | Part number | Article number | Pack qty |
|--------------------|--------------------|-------------------|----------------|----------|
| QM40/3 and QM60/3 | 3P + Solid neutral | QMNEUTRAL40/634P | 1319858 | 1 |
| QM80/3 and QM100/3 | 3P + Solid neutral | QMNEUTRAL80/1004P | 1319859 | 1 |

Accessories

Earth terminals



1319868

| QM | Part number | Article number | Pack qty |
|----------------|---------------|-------------------------|----------|
| QM40 and QM63 | QMEARTH40/63 | 1319868 | 1 |
| QM80 and QM100 | QMEARTH80/100 | 1319869 | 1 |

Auxiliary switches



1319853

| QM | Contact configuration | Part number | Article number | Pack qty |
|----------------|-----------------------|--------------------|-------------------------|----------|
| QM40 and QM63 | 1 NO + 1 NC | QMAUX1NO+1NC40/63 | 1319851 | 1 |
| QM80 and QM100 | 1 NO + 1 NC | QMAUX1NO+1NC80/100 | 1319853 | 1 |

Protective covers set for connection terminals



1319870

| QM | Number of poles | Part number | Article number | Pack qty |
|--------------------|-----------------|-------------------|-------------------------|----------|
| QM 40/3, QM 63/3 | 3P | QMCOVER40/633P | 1319870 | 1 |
| QM 80/30, QM 100/3 | 3P | QMCOVER80/1003P | 1319872 | 1 |
| QM 40/3N, QM 63/3N | 3P + Neutral | QMCOVER40/633P+N | 1319871 | 1 |
| QM 80/3, QM 100/3N | 3P + Neutral | QMCOVER80/1003P+N | 1319873 | 1 |

Change-over and multipole switches, 40 A to 100 A, 690 V a.c.

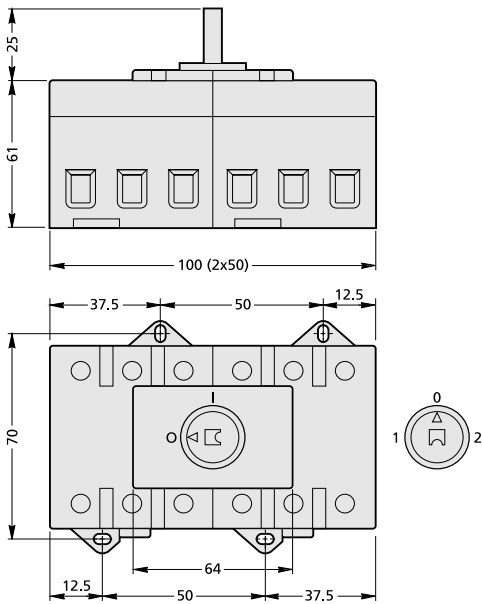
QM Change-over and multipole switches

Technical data

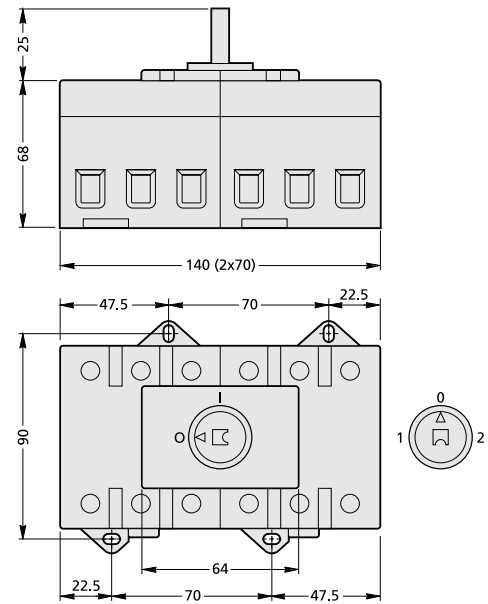
| | | QM 40 | QM 63 | QM 100 | |
|---|--|--------------|--------------------------|--------------------------|-------------------------|
| Conventional free air thermal current | I_{th} | 40 A | 63 A | 100 A | |
| Conventional enclosed thermal current | I_{the} | 40 A | 55 A | 100 A | |
| Conventional thermal current in enclosure (multipole) | I_{the} | 40 A | 50 A | 80 A | |
| Rated uninterrupted current | I_u | 40 A | 63 A | 100 A | |
| Rated operational current | U_e | 690 V | 690 V | 690 V | |
| Rated insulation voltage | U_i | 690 V | 690 V | 690 V | |
| Rated impulse withstand voltage | U_{imp} | 8 kV | 8 kV | 8 kV | |
| Rated operational current | | | | | |
| AC-21A | At $U_e = 240$ V AC-21A | I_e | 40 A | 63 A | 100 A |
| | At $U_e = 440$ V AC-21A | I_e | 40 A | 63 A | 100 A |
| | At $U_e = 500$ V AC-21A | I_e | 40 A | 63 A | 100 A |
| | At $U_e = 690$ V AC-21A | I_e | 40 A | 63 A | 100 A |
| AC-22A | At $U_e = 240$ V AC-22A | I_e | 40 A | 63 A | 100 A |
| | At $U_e = 440$ V AC-22A | I_e | 40 A | 63 A | 100 A |
| | At $U_e = 500$ V AC-22A | I_e | 40 A | 63 A | 100 A |
| | At $U_e = 690$ V AC-22A | I_e | 40 A | 55 A | 85 A |
| Rated operational current/power | | | | | |
| AC-23A | At $U_e = 240$ V AC-23A | I_e | 7.5 kW | 11 kW | 22 kW |
| | At $U_e = 440$ V AC-23A | I_e | 15 kW | 22 kW | 37 kW |
| | At $U_e = 500$ V AC-23A | I_e | 18.5 kW | 30 kW | 45 kW |
| | At $U_e = 690$ V AC-23A | I_e | 15 kW | 18.5 kW | 30 kW |
| AC-3 | At $U_e = 240$ V AC-3 | I_e | 7.5 kW | 11 kW | 18.5 kW |
| | At $U_e = 440$ V AC-3 | I_e | 11 kW | 18.5 kW | 30 kW |
| | At $U_e = 500$ V AC-3 | I_e | 15 kW | 22 kW | 37 kW |
| | At $U_e = 690$ V AC-3 | I_e | 11 kW | 15 kW | 22 kW |
| Rated short-time withstand current | I_{cw} | 0.5 kA - 1 s | 0.78 kA - 1 s | 1.85 kA - 1 s | |
| Rated short-circuit making capacity | I_{cm} | 3 kA | 3 kA | 3 kA | |
| Rated conditional fuse-protected short-circuit current withstand/making | $I_p (I_q)$ | 15 kA | 15 kA | 15 kA | |
| Fuse link | I_n | 50 A | 63 A | 100 A | |
| Switched neutral conventional free air thermal current | I_{the} | 40 A | 63 A | 100 A | |
| Rated operational current | | | | | |
| | At $U_e = 500$ V AC-22A | I_e | 40 A | 63 A | 100 A |
| Auxiliary switch | | | | | |
| Rated operational current | | | | | |
| | At $U_e = 380$ V AC-11 | I_e | 3 A | 3 A | 3 A |
| | At $U_e = 660$ V AC-11 | I_e | 10 A | 10 A | 10 A |
| Terminal capacities | | | | | |
| | Copper conductor Solid/Stranded/Flexible | | 2.5 - 16 mm ² | 2.5 - 16 mm ² | 10 - 35 mm ² |
| | Tightening torque | | 1.2 Nm | 1.2 Nm | 2.5 Nm |
| | Pollution degree | | III/3 | | |
| | Protection class | | IP20 | | |
| | Standards | | EN IEC 60947-3, EAC | | |

Outline drawings

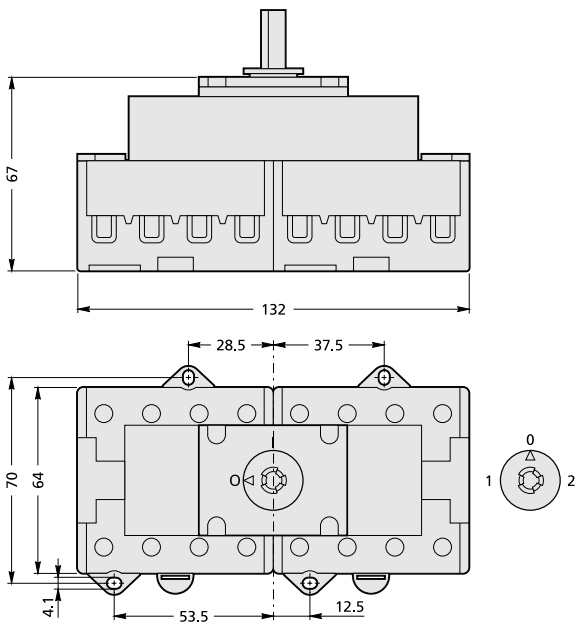
6-pole, QM63/3 and QM63/6 - mm



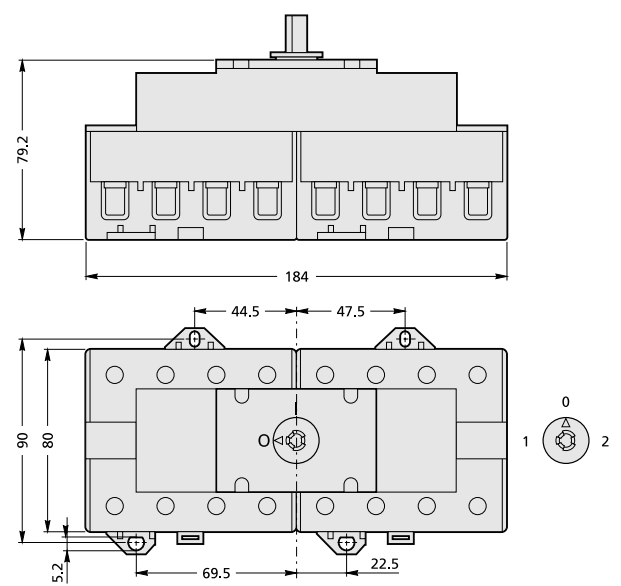
6-pole, QM100/3 and QM100/6 - mm



8-pole, QM40/3N, QM63/3N and QM63/6N2 - mm



8-pole, QM100/3N and QM100/6N2 - mm



Manual transfer switches, 16 A to 63 A, 690 V a.c.

MTS Manual transfer switches, 16 A to 63 A, 690 V a.c.



3-pole



4-pole



In enclosure

Description

Our Manual Transfer Switches (MTS) provide safe isolation in a wide range of low voltage applications where 3- or 4-pole are required.

Thanks to their excellent making and breaking capacity under load conditions they are particularly suited for use in distribution panels and for machine controls.

Standards/Approvals

- DIN EN 60947-3
- IEC 60947-6-1

Technical data

- Voltage: 690 V ac.
- Current: 16 A to 63 A
- 3 or 4-pole
- Mounted knob for direct operation
- Utilisation category: AC-23A

Mounting options

- DIN-Rail mounting and screw mounting

Features

- Compact footprint ideal for Photovoltaic and Residential retrofits
- Plug and play bridge reduces wiring effort
- Enclosed option available

MTS Manual transfer switch - range overview

| | 16 A | 32 A | 40 A | 63 A |
|----------------------------|------|------|------|------|
| 3 -pole and 4-pole | ✓ | ✓ | ✓ | ✓ |
| Enclosed 3-pole and 4-pole | ✓ | ✓ | ✓ | ✓ |

MTS - 3-pole and 4-pole



EP-401727

| Number of poles | Thermal current I_{the} | Part number | Article number | Pack qty |
|-----------------|---------------------------|-------------|----------------|----------|
| 3P | 16 A | MTS-16/Z/3 | EP-401727 | 1 |
| 3P | 32 A | MTS-32/Z/3 | EP-401728 | 1 |
| 3P | 40 A | MTS-40/Z/3 | EP-401729 | 1 |
| 3P | 63 A | MTS-63/Z/3 | EP-401730 | 1 |
| 4P | 16 A | MTS-16/Z/4 | EP-401735 | 1 |
| 4P | 32 A | MTS-32/Z/4 | EP-401736 | 1 |
| 4P | 40 A | MTS-40/Z/4 | EP-401737 | 1 |
| 4P | 63 A | MTS-63/Z/4 | EP-401738 | 1 |

Enclosed MTS - 3-pole and 4-pole



EP-401731

| Number of poles | Thermal current I_{the} | Part number | Article number | Pack qty |
|-----------------|---------------------------|--------------|----------------|----------|
| 3P | 16 A | MTS-16/ENC/3 | EP-401731 | 1 |
| 3P | 32 A | MTS-32/ENC/3 | EP-401732 | 1 |
| 3P | 40 A | MTS-40/ENC/3 | EP-401733 | 1 |
| 3P | 63 A | MTS-63/ENC/3 | EP-401734 | 1 |
| 4P | 16 A | MTS-16/ENC/4 | EP-401739 | 1 |
| 4P | 32 A | MTS-32/ENC/4 | EP-401740 | 1 |
| 4P | 40 A | MTS-40/ENC/4 | EP-401741 | 1 |
| 4P | 63 A | MTS-63/ENC/4 | EP-401742 | 1 |

Auxiliary contact



EP-401743

| Part number | Article number | Pack qty |
|-------------|----------------|----------|
| MTS-HI11 | EP-401743 | 1 |

Manual transfer switches, 16 A to 63 A, 690 V a.c.

MTS 3- and 4-pole switches

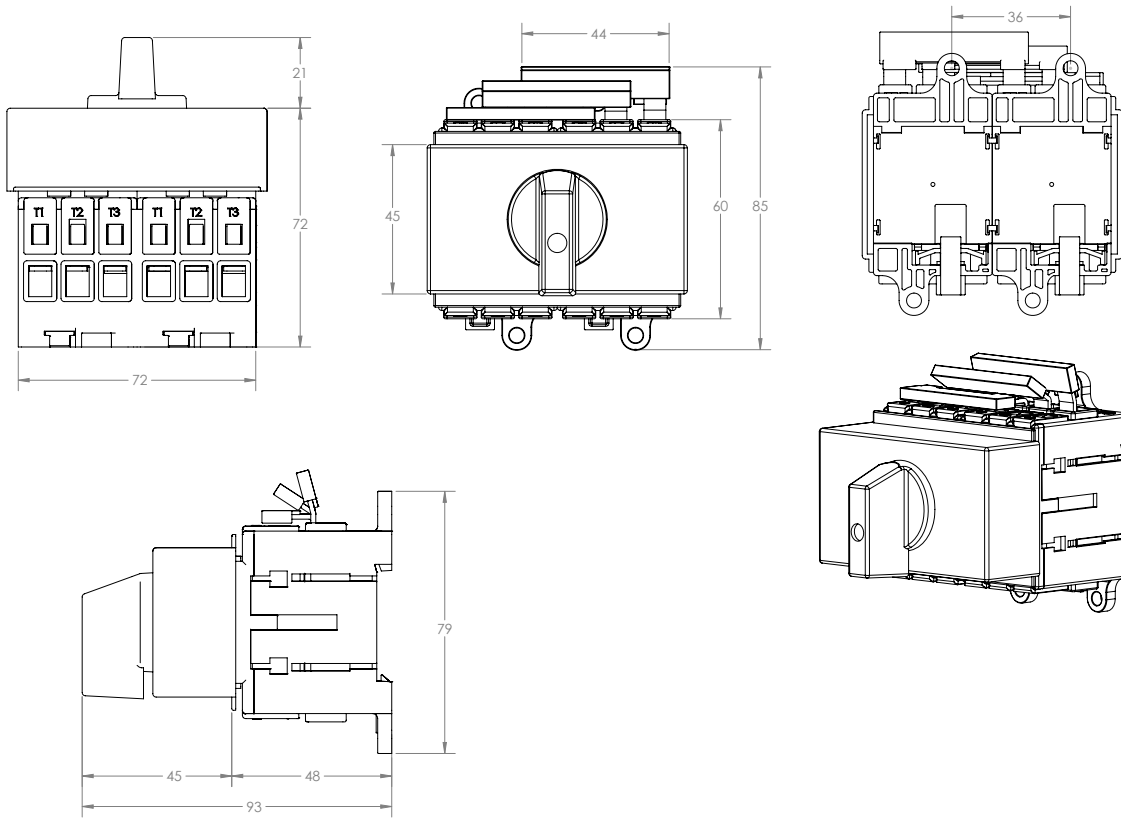
Technical data

| MTS | | MTS 16 | MTS 32 | MTS 40 | MTS 63 | |
|---|-------------------------|--|---------------|---------------|---------------|------|
| Rated insulation voltage | U_i | 690 VAC | 690 VAC | 690 VAC | 690 VAC | |
| Rated impulse withstand voltage | U_{imp} | 6 kV | 6 kV | 6 kV | 6 kV | |
| Conventional enclosed thermal current | I_{the} | 16 A | 32 A | 40 A | 63 A | |
| Rated conditional short-circuit breaker | I_{cc} | 6 kA | 6 kA | 6 kA | 6 kA | |
| Frequency | | 50/60 Hz | 50/60 Hz | 50/60 Hz | 50/60 Hz | |
| Rated operational current | | | | | | |
| AC-21A | At $U_e = 690$ V AC-21A | I_e | 16 A | 32 A | 40 A | 63 A |
| AC-23A | At $U_e = 230$ V AC-23A | I_e | 11 A | 22 A | 27 A | 38 A |
| | At $U_e = 400$ V AC-23A | I_e | 16 A | 22 A | 29 A | 41 A |
| | At $U_e = 690$ V AC-23A | I_e | 9 A | 13 A | 17 A | 21 A |
| AC-3A | At $U_e = 230$ V AC-3A | I_e | - | - | - | 38 A |
| | At $U_e = 400$ V AC-3A | I_e | - | - | - | 35 A |
| | At $U_e = 690$ V AC-3A | I_e | - | - | - | 17 A |
| AC-31A | At $U_e = 230$ V AC-31A | I_e | 16 A | 32 A | 40 A | 40 A |
| | At $U_e = 400$ V AC-31A | I_e | 16 A | 32 A | 40 A | 40 A |
| AC-32A | At $U_e = 230$ V AC-32A | I_e | 16 A | 32 A | 40 A | 40 A |
| | At $U_e = 400$ V AC-32A | I_e | 16 A | 32 A | 40 A | 40 A |
| AC-33A | At $U_e = 230$ V AC-33A | I_e | 16 A | 32 A | 40 A | 40 A |
| | At $U_e = 400$ V AC-33A | I_e | 16 A | 32 A | 40 A | 40 A |
| Rated operational power | | | | | | |
| AC-23A | At $U_e = 230$ V AC-23A | I_e | 3 | 6 | 7.5 | 11 |
| | At $U_e = 400$ V AC-23A | I_e | 7.5 | 11.5 | 15 | 22 |
| | At $U_e = 690$ V AC-23A | I_e | 7.5 | 11.5 | 15 | 18.5 |
| AC-3 | At $U_e = 230$ V AC-3 | I_e | 3 | 5.5 | 7.5 | 11 |
| | At $U_e = 400$ V AC-3 | I_e | 5.5 | 9.5 | 11.5 | 18.5 |
| | At $U_e = 690$ V AC-3 | I_e | 5.5 | 9.5 | 11.5 | 15 |
| Tightening torque | Nm (lb-in) | 2 (17.7) | 2 (17.7) | 2 (17.7) | 2 (17.7) | |
| | mm ² | 2.5 - 16 | 2.5 - 16 | 2.5 - 16 | 2.5 - 16 | |
| | in | (0.09 - 0.62) | (0.09 - 0.62) | (0.09 - 0.62) | (0.09 - 0.62) | |
| Protection class | | IP65 (enclosed)/IP40 (Non enclosed versions) | | | | |
| Standards | | DIN EN 60947-3, IEC 60947-6-1 | | | | |

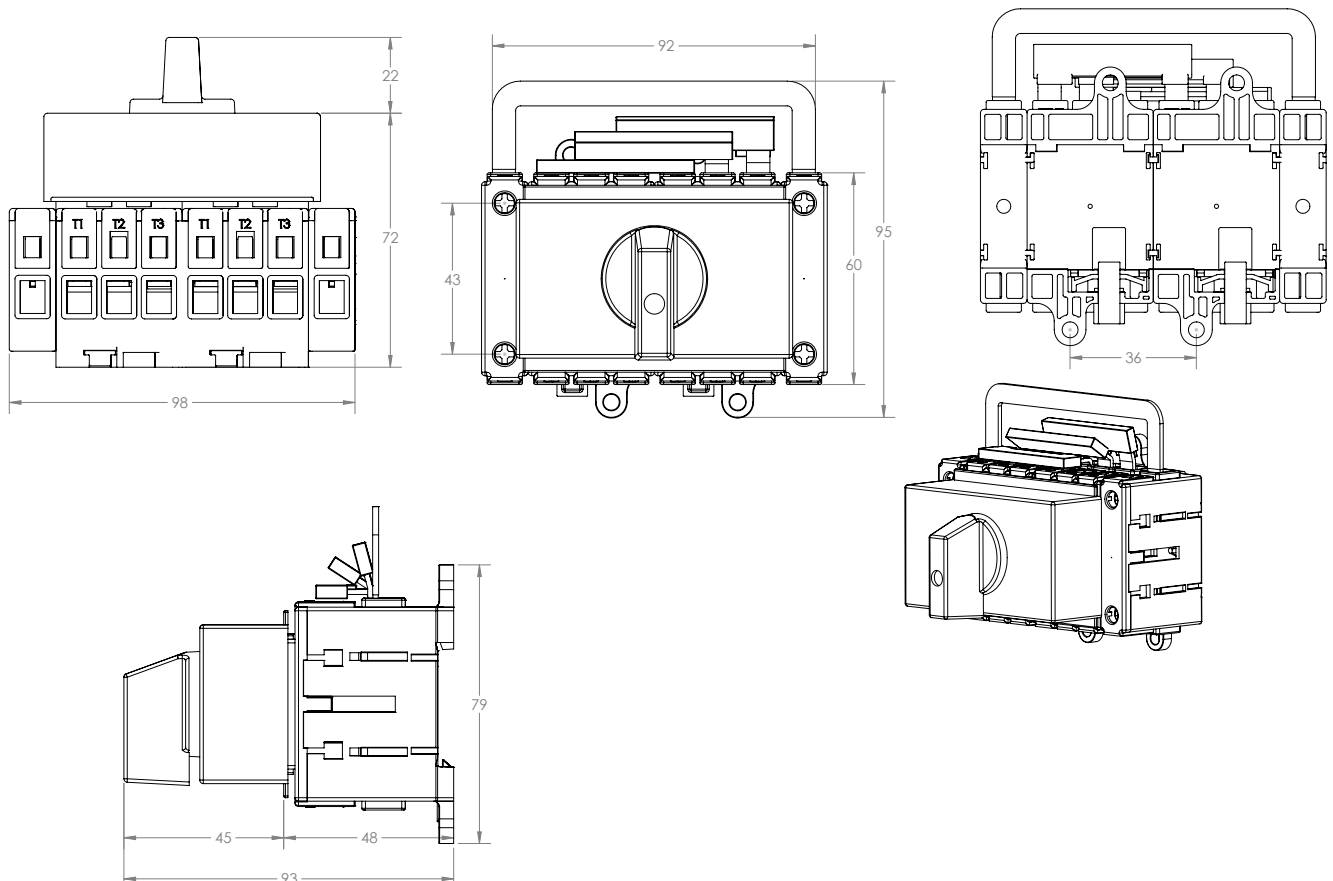
| | | |
|------------------------------|-----------------|---------------|
| Auxiliary contact | | MTS-HI11 |
| Conventional thermal current | I_{the} | 10 A |
| Rated insulation voltage | U_i | 500 VAC |
| Frequency | | 50/60 Hz |
| Tightening torque | Nm (lb-in) | 1.1 (9.73) |
| | mm ² | 2 x 0.75 - 4 |
| | in | (0.03 - 0.15) |

Outline drawings

3-pole - mm



4-pole - mm

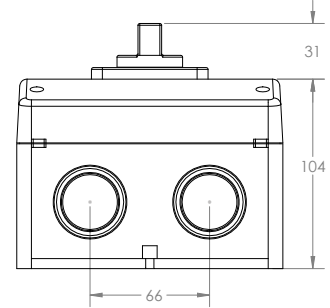
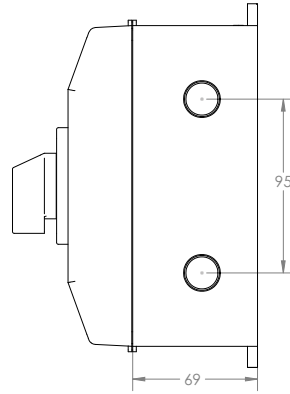
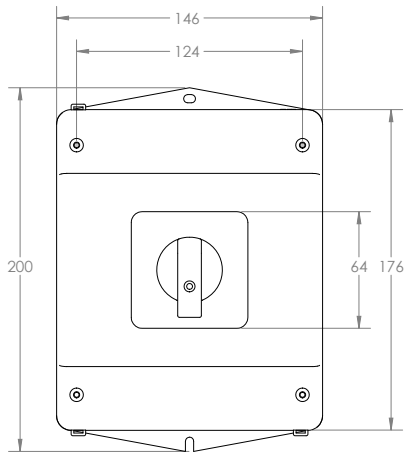


Manual transfer switches, 16 A to 63 A, 690 V a.c.

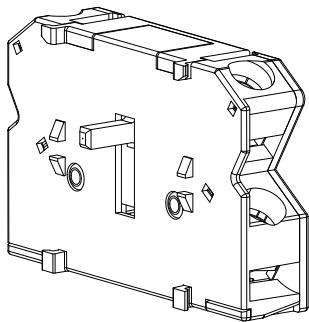
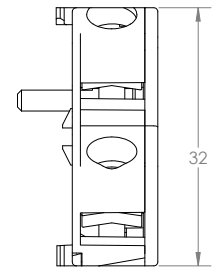
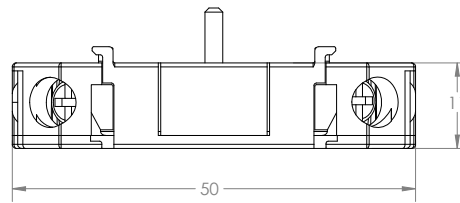
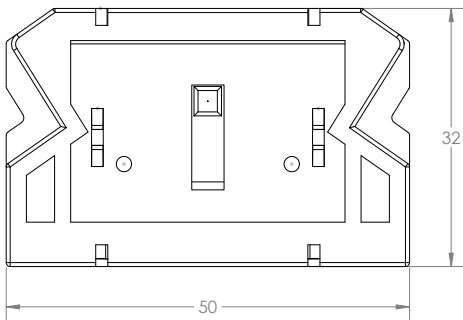
MTS 3- and 4-pole switches

Outline drawings

Enclosed 3 and 4-pole - mm

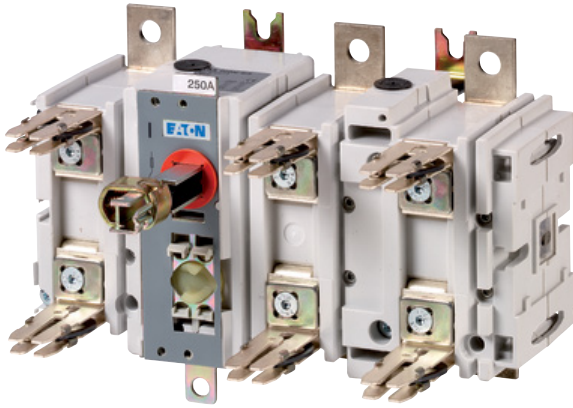


Auxiliary contact - mm

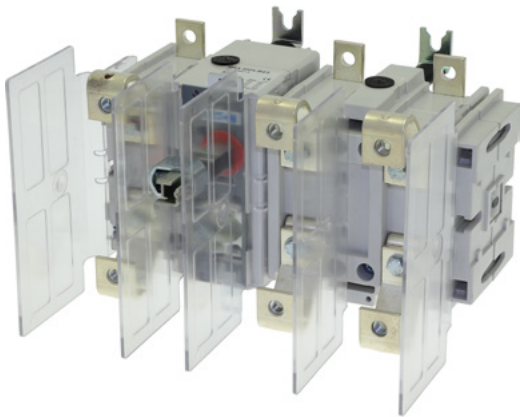


Fused switch-disconnectors, 40 A to 800 A, 690 V a.c.

QSA Fused switch-disconnector, 40 A to 800 A, 690 V a.c.



QSA DIN



QSA BS

Description

The QSA fused switch-disconnector provide the ultimate safety in electrical protection for equipment and personnel. The NH DIN fuse links and low voltage British Standard industrial fuse links, fitted in the QSA unit protect the equipment against overcurrents and the switch enables safe disconnection for a high number of switching operations.

Frame sizes

0, 1, 2 and 3

Standards/Approvals

- IEC 60947-3
- EAC,
- KEMA-KEUR
- Lloyd's Register

Technical data

- Voltage: 690 V ac.
- Current: 40 A to 800 A
- 3-pole and solid/switched neutral options

Recommended fuse links

- For QSA DIN: Eaton's Bussmann series low voltage NH Fuse links body size 00 to 3
- For QSA BS: Eaton's Bussmann series low voltage British Standard industrial fuse links

Features

- All standard switches have a 3-pole frame
- Separate switched or bolted neutrals can be mounted to the switch on location or ordered pre-mounted
- Totally enclosed compact housing made of creepage-proof, heat resistant, insulation material
- Spring-loaded silver-plated roller contacts
- Independent manual operation
- Double break interruption
- Easy to install

Fused switch-disconnectors, 40 A to 800 A, 690 V a.c.

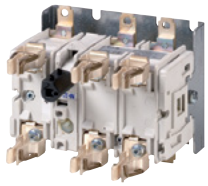
QSA Fused switch-disconnector

QSA Fused switch-disconnector, suitable for NH DIN Fuse links, 40 A to 800 A, 690 V a.c.

QSA DIN range overview

| QSA DIN | Frame size | 40 A | 63 A | 100 A | 125 A | 160 A | 200 A | 250 A | 315 A | 400 A | 630 A | 800 A |
|---------------------------|------------|------|------|-------|-------|-------|-------|-------|-------|-------|-------|-------|
| Fused switch-disconnector | 0 | ✓ | ✓ | | | | | | | | | |
| | 1 | | ✓ | ✓ | ✓ | ✓ | | | | | | |
| | 2 | | | | | | ✓ | ✓ | ✓ | ✓ | | |
| | 3 | | | | | | | | | ✓ | ✓ | ✓ |

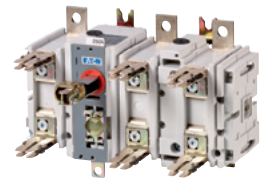
QSA DIN Fused switch-disconnector



1320205



1318546



1318526



1318542

| Thermal current I_{the} | Number of poles | Frame size | Part number | Article number | Pack qty | Compatible Eaton's Bussmann series NH Fuse body size |
|---------------------------|-----------------------|------------|-----------------|----------------|----------|--|
| 40 A | 3P | 0 | QSA40N0-00/3 | 1320201 | 1 | NH 000 and NH 00 |
| 40 A | 3P | 0 | QSA40N0-00/3+P* | 1320205* | 1 | NH 000 and NH 00 |
| 63 A | 3P | 0 | QSA63N0-00/3 | 1320203 | 1 | NH 000 and NH 00 |
| 63 A | 3P | 0 | QSA63N0-00/3+P* | 1320207* | 1 | NH 000 and NH 00 |
| 63 A | 3P + solid neutral | 0 | QSA63N0-00/1 | 1320297 | 1 | NH 000 and NH 00 |
| 63 A | 3P + switched neutral | 0 | QSA63N0-00/3N | 1320298 | 1 | NH 000 and NH 00 |
| 63 A | 3P | 1 | QSA63N1-00/3 | 1318027 | 1 | NH 000 and NH 00 |
| 100 A | 3P | 1 | QSA100N1-00/3 | 1318546 | 1 | NH 000 and NH 00 |
| 100 A | 3P + solid neutral | 1 | QSA100N1-00/1 | 1318550 | 1 | NH 000 and NH 00 |
| 100 A | 3P + switched neutral | 1 | QSA100N1-00/3N | 1318551 | 1 | NH 000 and NH 00 |
| 125 A | 3P | 1 | QSA125N1-00/3 | 1318030 | 1 | NH 000 and NH 00 |
| 160 A | 3P | 1 | QSA160N1-00/3 | 1318033 | 1 | NH 000 and NH 00 |
| 160 A | 3P + solid neutral | 1 | QSA160N1-00/1 | 1318552 | 1 | NH 000 and NH 00 |
| 160 A | 3P + switched neutral | 1 | QSA160N1-00/3N | 1318553 | 1 | NH 000 and NH 00 |
| 200 A | 3P | 2 | QSA200N-2/3 | 1318547 | 1 | NH 1 and 2 |
| 250 A | 3P | 2 | QSA250N-2/3 | 1318526 | 1 | NH 1 and 2 |
| 250 A | 3P + solid neutral | 2 | QSA250N-2/1 | 1318554 | 1 | NH 1 and 2 |
| 250 A | 3P + switched neutral | 2 | QSA250N-2/3N | 1318555 | 1 | NH 1 and 2 |
| 315 A | 3P | 2 | QSA315N-2/3 | 1318548 | 1 | NH 1 and 2 |
| 400 A | 3P | 2 | QSA400N-2/3** | 1318533** | 1 | NH 1 and 2 |
| 400 A | 3P + solid neutral | 2 | QSA400N-2/1** | 1318612** | 1 | NH 1 and 2 |
| 400 A | 3P + switched neutral | 2 | QSA400N-2/3N** | 1318614** | 1 | NH 1 and 2 |
| 400 A | 3P | 3 | QSA400-3/3 | 1318549 | 1 | NH 3 |
| 630 A | 3P | 3 | QSA630-3/3 | 1318542 | 1 | NH 3 |
| 630 A | 3P + solid neutral | 3 | QSA630-3/1 | 1318694 | 1 | NH 3 |
| 630 A | 3P + switched neutral | 3 | QSA630-3/3N | 1318699 | 1 | NH 3 |
| 800 A | 3P | 3 | QSA800-3/3** | 1318543** | 1 | NH 3 |

* Fused switch-disconnector with box terminal clamps

** Thermal current rating only applicable when utilised in a ventilated enclosure

See compatible Eaton's Bussmann series NH fuse links

QSA Fused switch-disconnector, suitable for British Standard industrial fuse links, 40 A to 800 A, 690 V a.c.

QSA BS range overview

| QSA DIN | Frame size | 40 A | 63 A | 100 A | 125 A | 160 A | 200 A | 250 A | 315 A | 400 A | 630 A | 800 A |
|---------------------------|------------|------|------|-------|-------|-------|-------|-------|-------|-------|-------|-------|
| Fused switch-disconnector | 0 | ✓ | ✓ | | | | | | | | | |
| | 1 | | ✓ | ✓ | ✓ | ✓ | | | | | | |
| | 2 | | | | | | ✓ | ✓ | ✓ | ✓ | | |
| | 3 | | | | | | | | | ✓ | ✓ | ✓ |

QSA BS Fused switch-disconnectors



1319065

| Thermal current I _{the} | Number of poles | Frame size | Part number | Article number | Pack qty | Compatible fuse links BS reference | Compatible Eaton's Bussmann series fuse links |
|----------------------------------|-----------------|------------|-----------------|---------------------------|----------|------------------------------------|---|
| 40 A | 3P | 0 | QSA40N0-A3/3 | 1320200 | 1 | A3 | BAO, TIS |
| 63 A | 3P | 0 | QSA63N0-A3/3 | 1320202 | 1 | A3 | |
| 40 A | 3P | 0 | QSA40N0-A3/3+P* | 1320204* | 1 | A3 | BAO, TIS |
| 63 A | 3P | 0 | QSA63N0-A3/3+P* | 1320206* | 1 | A3 | |
| 63 A | 3P | 1 | QSA63N1-A3/3 | 1318011 | 1 | A3 | BAO, TIS |
| 100 A | 3P | 1 | QSA100N1-A4/3 | 1318016 | 1 | A4 | CEO, TCP |
| 125 A | 3P | 1 | QSA125N1-B2/3 | 1318020 | 1 | B1 and B2 | CD, DD, TC, TF |
| 160 A | 3P | 1 | QSA160N1-B2/3 | 1318023 | 1 | B1 and B2 | |
| 200 A | 3P | 2 | QSA200N-B2/3 | 1319065 | 1 | B1 to B4 | CD, DD, ED, TC, TF, TKF, TMF |
| 250 A | 3P | 2 | QSA250N-B4/3 | 1319074 | 1 | B1 to B4 | |
| 315 A | 3P | 2 | QSA315N-B4/3 | 1319095 | 1 | B1 to B4 | |
| 400 A | 3P | 2 | QSA400N-B4/3** | 1319103** | 1 | B1 to B4 | |
| 400 A | 3P | 3 | QSA400-C3/3 | 1318537 | 1 | C1 to C3 | EF, FF, GF, TTM |
| 630 A | 3P | 3 | QSA630-C3/3 | 1318544 | 1 | C1 to C3 | |
| 800 A | 3P | 3 | QSA800-C3/3** | 1319175** | 1 | C1 to C3 | |

* Fused switch-disconnector with box terminal clamps

** Thermal current rating only applicable when utilised in a ventilated enclosure

See details on compatible Eaton's Bussmann series British Standard fuse links

Fused switch-disconnectors, 40 A to 800 A, 690 V a.c.

QSA Fused switch-disconnector

Handles and shafts

Handles mounting types overview

| Frame size | K Type handles | A Type handles | | | C Type handles | | D/P Type handles | | | D/C Type handles | | |
|------------|----------------|----------------|-----|------|----------------|-----|------------------|-------------|------|------------------|-------------|------|
| | | Blue | Red | Grey | Blue | Red | Blue | Red/ Yellow | Grey | Blue | Red/ Yellow | Grey |
| 0 | K1 | ✓ | ✓ | ✓ | ✓ | ✓ | ✓ | ✓ | ✓ | | | |
| 1 | K2 | ✓ | ✓ | ✓ | ✓ | ✓ | ✓ | ✓ | ✓ | ✓ | ✓ | ✓ |
| 2 | K3 | ✓ | ✓ | ✓ | ✓ | ✓ | ✓ | ✓ | ✓ | ✓ | ✓ | ✓ |
| 3 | K4 | ✓ | ✓ | ✓ | ✓ | ✓ | ✓ | ✓ | ✓ | ✓ | ✓ | ✓ |

A Type: Handle mounted directly on switch

C Type: Without interlock function, for example when mounted on the cover of Eaton's Halyester enclosure range

D/P Type: Handle padlockable for mounting on hinged door, with interlock function

D/C Type: Handle with cylinder lock for mounting on hinged door, supplied with two keys, with interlock function

See handles dimensions pages 95 to 98

A Type handles

Mounted directly on switch



K1 A handle
1818001



K2 A handle
1818005



K3 A handle
1818202



K4 A handle
1818010



Shafts

| QSA Type | Frame size | A Type handles | | | Shaft mm□ | Metal shafts | | | | | | Pack qty |
|----------|------------|-----------------|-----------------|-----------------|-----------|-----------------------|------------------------|-----------------------|--------------------------|--------------------------|--------------------------|----------|
| | | Handle colours | | | | Length of shaft | | | | | | |
| | | Blue | Red | Grey | | 115 mm | 135 mm | 140 mm | 180 mm | 300 mm | 600 mm | |
| QSA40N0 | 0 | K1AB 1818001 | K1AR 1818002 | K1AG 1818200 | 6 x 6 | | | | 4K6180MMK1/2S 1319830 | 4K6300MMK1/2S 1319831 | 4K6600MMK1/2S 1319832 | 1 |
| QSA63N1 | 1 | | | | 8 x 8 | | | | | | | 1 |
| QSA100N1 | 1 | K2AB 1818005 | K2AR 1818006 | K2AG 1818201 | 8 x 8 | 4K8115MMK2 1319303 | | 4K8140MMK2 1319306 | 4K8180MMK2 1319307 | 4K8300MMK2 1319311 | 4K8600MMK2 1319301 | 1 |
| QSA125N1 | 1 | | | | | | | | | | | |
| QSA160N1 | 1 | | | | | | | | | | | |
| QSA200N | 2 | | | | | | | | | | | |
| QSA250N | 2 | K3AB 1818110 | K3AR 1818111 | K3AG 1818202 | 10 x 10 | | 4K10135MMK3 1319314 | | 4K10180MMK3 1319315 | 4K10300MMK2 1319319 | 4K10600MMK2 1319322 | 1 |
| QSA315N | 2 | | | | | | | | | | | |
| QSA400N | 2 | | | | | | | | | | | |
| QSA400 | 3 | | | | | | | | | | | |
| QSA630 | 3 | K4AB 1818009 | K4AR 1818010 | K4AG 1818203 | 12 x 12 | | | | | 4K12300MMK4 1319326 | 4K12600MMK4 1319329 | 1 |
| QSA800 | 3 | | | | | | | | | | | |

Handles and shafts

C Type handles

Without interlock function, for example when mounted on the cover of Eaton's Halyester enclosure range



K1 C handle 1818016



K2 C handle 1818019



K3 C handle 1818112



K4 C handle 1818023



Shafts

C Type handles Metal shafts

| QSA | Frame size | Handle colour | | Shaft mm□ | Length of shaft | | | | | Pack qty | |
|----------|------------|-----------------|-----------------|-----------|-----------------------|------------------------|-----------------------|--------------------------|--------------------------|--------------------------|--------|
| | | Blue | Red/yellow | | 115 mm | 135 mm | 140 mm | 180 mm | 300 mm | | 600 mm |
| | | | | | | | | | | | |
| QSA40N0 | 0 | K1CB 1818015 | K1CR 1818016 | 6 x 6 | | | | 4K6180MMK1/2S 1319830 | 4K6300MMK1/2S 1319831 | 4K6600MMK1/2S 1319832 | 1 |
| QSA63N0 | 0 | | | | | | | | | | |
| QSA63N1 | 1 | K2CB 1818019 | K2CR 1818020 | 8 x 8 | 4K8115MMK2 1319303 | | 4K8140MMK2 1319306 | 4K8180MMK2 1319307 | 4K8300MMK2 1319311 | 4K8600MMK2 1319301 | 1 |
| QSA100N1 | 1 | | | | | | | | | | |
| QSA125N1 | 1 | | | | | | | | | | |
| QSA160N1 | 1 | | | | | | | | | | |
| QSA200N | 2 | K3CB 1818068 | K3CR 1818112 | 10 x 10 | | 4K10135MMK3 1319314 | | 4K10180MMK3 1319315 | 4K10300MMK2 1319319 | 4K10600MMK2 1319322 | 1 |
| QSA250N | 2 | | | | | | | | | | |
| QSA315N | 2 | | | | | | | | | | |
| QSA400N | 2 | | | | | | | | | | |
| QSA400 | 3 | K4CB 1818023 | K4CR 1818024 | 12 x 12 | | | | | 4K12300MMK4 1319326 | 4K12600MMK4 1319329 | 1 |
| QSA630 | 3 | | | | | | | | | | |
| QSA800 | 3 | | | | | | | | | | |

D/P Type handles

Padlockable for mounting on hinged door, with interlock function



K1 D/P handle 818029



K2 D/P handle 1818036



K3 D/P handle 1818113



K4 D/P handle 1818052



Shafts

D/P Type handles Metal shafts

| QSA | Frame size | Handle colour | | | Shaft mm□ | Length of shaft | | | | | Pack qty | |
|----------|------------|-------------------|-------------------|-------------------|-----------|------------------------|--------|------------------------|--------------------------|--------------------------|--------------------------|--------|
| | | Blue | Red/yellow | Grey | | 115 mm | 135 mm | 140 mm | 180 mm | 300 mm | | 600 mm |
| | | | | | | | | | | | | |
| QSA40N0 | 0 | K1DB/P 1818029 | K1DR/P 1818030 | K1DG/P 1818031 | 6 x 6 | | | | 4K6180MMK1/2S 1319830 | 4K6300MMK1/2S 1319831 | 4K6600MMK1/2S 1319832 | 1 |
| QSA63N0 | 0 | | | | | | | | | | | |
| QSA63N1 | 1 | K2DB/P 1818035 | K2DR/P 1818036 | K2DG/P 1818037 | 8 x 8 | 4K8115MMK2 1319303 | | 4K8140MMK2 1319306 | 4K8180MMK2 1319307 | 4K8300MMK2 1319311 | 4K8600MMK2 1319301 | 1 |
| QSA100N1 | 1 | | | | | | | | | | | |
| QSA125N1 | 1 | | | | | | | | | | | |
| QSA160N1 | 1 | | | | | | | | | | | |
| QSA200N | 2 | K3DB/P 1818113 | K3DR/P 1818096 | K3DG/P 1818069 | 10 x 10 | 4K10135MMK3 1319314 | | 4K10180MMK3 1319315 | 4K10300MMK2 1319319 | 4K10600MMK2 1319322 | 1 | |
| QSA250N | 2 | | | | | | | | | | | |
| QSA315N | 2 | | | | | | | | | | | |
| QSA400N | 2 | | | | | | | | | | | |
| QSA400 | 3 | K4DB/P 1818050 | K4DR/P 1818051 | K4DG/P 1818052 | 12 x 12 | | | | 4K12300MMK4 1319326 | 4K12600MMK4 1319329 | 1 | |
| QSA630 | 3 | | | | | | | | | | | |
| QSA800 | 3 | | | | | | | | | | | |

Fused switch-disconnectors, 40 A to 800 A, 690 V a.c.

QSA Fused switch-disconnector

Handles and shafts

D/C Type handles

With cylinder lock for mounting on hinged door, supplied with two keys, with interlock function



K2 D/C handle
1818041



K3 D/C handle
1818097



K4 D/C handle
1818055



Shafts

| QSA | Frame size | D/C Type handles | | | Shaft mm□ | Metal shafts | | | | | | Pack qty |
|----------|------------|-------------------|-------------------|-------------------|-----------|-----------------------|------------------------|-----------------------|------------------------|------------------------|------------------------|----------|
| | | Handle Type | | | | Length of shaft | | | | | | |
| | | Blue | Red/yellow | Grey | | 115 mm | 135 mm | 140 mm | 180 mm | 300 mm | 600 mm | |
| QSA63N1 | 1 | | | | 8 x 8 | | | | | | | 1 |
| QSA100N1 | 1 | K2DB/C 1818041 | K2DR/C 1818042 | K2DG/C 1818043 | | 4K8115MMK2 1319303 | | 4K8140MMK2 1319306 | 4K8180MMK2 1319307 | 4K8300MMK2 1319311 | 4K8600MMK2 1319301 | |
| QSA125N1 | 1 | | | | | | | | | | | |
| QSA160N1 | 1 | | | | | | | | | | | |
| QSA200N | 2 | | | | 10 x 10 | | | | | | | 1 |
| QSA250N | 2 | K3DB/C 1818114 | K3DR/C 1818097 | K3DG/C 1818070 | | | 4K10135MMK3 1319314 | | 4K10180MMK3 1319315 | 4K10300MMK2 1319319 | 4K10600MMK2 1319322 | |
| QSA315N | 2 | | | | | | | | | | | |
| QSA400N | 2 | | | | | | | | | | | |
| QSA400 | 3 | | | | 12 x 12 | | | | | | | 1 |
| QSA630 | 3 | K4DB/C 1818053 | K4DR/C 1818054 | K4DG/C 1818055 | | | | | | 4K12300MMK4 1319326 | 4K12600MMK4 1319329 | |
| QSA800 | 3 | | | | | | | | | | | |

Accessories for QSA

Conversion kit for locking the D Type handles in both On and Off position

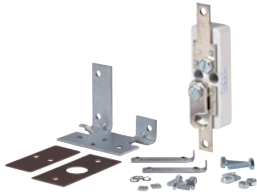


1818103

| QSA | Frame size | DIN/BS | Part number | Article number | Pack qty |
|----------|------------|--------|-------------------|----------------|----------|
| QSA40N0 | 0 | ✓ | ADAPTORPADLOCK-K1 | 1818103 | 1 |
| QSA63N0 | 0 | ✓ | | | 1 |
| QSA63N1 | 1 | ✓ | | | 1 |
| QSA100N1 | 1 | ✓ | ADAPTORPADLOCK-K2 | 1818104 | 1 |
| QSA125N1 | 1 | ✓ | | | 1 |
| QSA160N1 | 1 | ✓ | | | 1 |
| QSA200N | 2 | ✓ | | | 1 |
| QSA250N | 2 | ✓ | ADAPTORPADLOCK-K3 | 1818105 | 1 |
| QSA315N | 2 | ✓ | | | 1 |
| QSA400N | 2 | ✓ | | | 1 |
| QSA400 | 3 | ✓ | ADAPTORPADLOCK-K4 | 1818106 | 1 |
| QSA630 | 3 | ✓ | | | 1 |
| QSA800 | 3 | ✓ | | | 1 |

Accessories

Solid neutrals, side mounted



1319472

| QSA Type | Frame size | DIN/BS | Part number | Article number | Pack qty |
|----------|------------|--------|------------------|----------------|----------|
| QSA40N0 | 0 | ✓ | | | 1 |
| QSA63N0 | 0 | ✓ | QSAN40/63A | 1319460 | 1 |
| QSA63N1 | 1 | ✓ | | | 1 |
| QSA100N1 | 1 | ✓ | QSAN100/125A | 1319466 | 1 |
| QSA125N1 | 1 | ✓ | | | 1 |
| QSA160N1 | 1 | ✓ | QSAN160A | 1319472 | 1 |
| QSA200N | 2 | ✓ | QSAN160/200A | 1319473 | 1 |
| QSA250N | 2 | ✓ | | | 1 |
| QSA315N | 2 | ✓ | QSAN250/315/400A | 1319480 | 1 |
| QSA400N | 2 | ✓ | | | 1 |
| QSA400 | 3 | ✓ | | | 1 |
| QSA630 | 3 | ✓ | QSAN400/630/800A | 1319486 | 1 |
| QSA800 | 3 | ✓ | | | 1 |

Switched neutrals, side mounted



1319482

| QSA Type | Frame size | DIN/BS | Part number | Article number | Pack qty |
|----------|------------|--------|-------------------|----------------|----------|
| QSA40N0 | 0 | ✓ | | | 1 |
| QSA63N0 | 0 | ✓ | QSANS40/63A | 1319462 | 1 |
| QSA63N1 | 1 | ✓ | | | 1 |
| QSA100N1 | 1 | ✓ | QSANS100/125A | 1319467 | 1 |
| QSA125N1 | 1 | ✓ | | | 1 |
| QSA160N1 | 1 | ✓ | QSANS160A | 1319474 | 1 |
| QSA200N | 2 | ✓ | QSANS160/200A | 1319476 | 1 |
| QSA250N | 2 | ✓ | | | 1 |
| QSA315N | 2 | ✓ | QSANS250/315/400A | 1319482 | 1 |
| QSA400N | 2 | ✓ | | | 1 |
| QSA400 | 3 | ✓ | | | 1 |
| QSA630 | 3 | ✓ | QSANS400/630/800A | 1319662 | 1 |
| QSA800 | 3 | ✓ | | | 1 |

Fused switch-disconnectors, 40 A to 800 A, 690 V a.c.

QSA Fused switch-disconnector

Accessories

Auxiliary contact set

Auxiliary contact 1 NO + 1 NC



6028293

| QSA Type | Frame size | DIN/BS | Part number | Article number | Pack qty |
|----------|------------|--------|-----------------------------|----------------|----------|
| QSA40N0 | 0 | ✓ | | | 1 |
| QSA63N0 | 0 | ✓ | | | 1 |
| QSA63N1 | 1 | ✓ | | | 1 |
| QSA100N1 | 1 | ✓ | | | 1 |
| QSA125N1 | 1 | ✓ | | | 1 |
| QSA160N1 | 1 | ✓ | AUX1NO+1NC-BOX012 | 6028293 | 1 |
| QSA200N | 2 | ✓ | | | 1 |
| QSA250N | 2 | ✓ | | | 1 |
| QSA315N | 2 | ✓ | | | 1 |
| QSA400N | 2 | ✓ | | | 1 |
| QSA400 | 3 | ✓ | | | 1 |
| QSA630 | 3 | ✓ | AUX1NO+1NC-BOX3 | 6101137 | 1 |
| QSA800 | 3 | ✓ | AUXADAPTERDMV/QSA / 6098593 | 6098593 | 1 |

Replacement adaptors available Part number

1-pole transparent terminal covers

Terminal cover for cable lugs on connection terminals

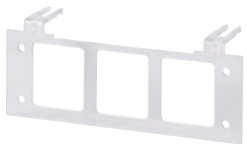


1319411

| QSA Type | Frame size | DIN | BS | Number of poles | Bolt Type | Part number | Article number | Pack qty |
|---------------|------------|-----|----|-----------------|-----------|---------------|----------------|----------|
| QSA40N0 | 0 | ✓ | ✓ | 1P | M6 | | | 1 |
| QSA63N0 | 0 | ✓ | ✓ | 1P | M6 | | | 1 |
| QSA100N1 | 1 | ✓ | ✓ | 1P | M6 | QSACOVER1PM6 | 1319409 | 1 |
| QSA125N1 | 1 | ✓ | ✓ | 1P | M6 | | | 1 |
| QSA160N1 | 1 | ✓ | ✓ | 1P | M8 | | | 1 |
| QSA200N (BS) | 2 | | ✓ | 1P | M8 | QSACOVER1PM8 | 1319411 | 1 |
| QSA200N (DIN) | 2 | ✓ | | 1P | M10 | | | 1 |
| QSA250N | 2 | ✓ | ✓ | 1P | M10 | | | 1 |
| QSA315N | 2 | ✓ | ✓ | 1P | M10 | QSACOVER1PM10 | 1319413 | 1 |
| QSA400N | 2 | ✓ | ✓ | 1P | M10 | | | 1 |
| QSA400 | 3 | ✓ | ✓ | 1P | M12 | | | 1 |
| QSA630 | 3 | ✓ | ✓ | 1P | M12 | QSACOVER1PM12 | 1319415 | 1 |
| QSA800 | 3 | ✓ | ✓ | 1P | M12 | | | 1 |

3-pole transparent terminal covers

For cable lugs on connection terminals, suitable for QSA fused switch-disconnector frame sizes 0, 1 and 2.



1319432

| QSA Type | Frame size | DIN/BS | Number of poles | Part number | Article number | Pack qty |
|----------|------------|--------|-----------------|---------------|----------------|----------|
| QSA40N0 | 0 | ✓ | 3P | | | 1 |
| QSA63N0 | 0 | ✓ | 3P | QSATCOVERBOX0 | 1320239 | 1 |
| QSA63N1 | 1 | ✓ | 3P | | | 1 |
| QSA100N1 | 1 | ✓ | 3P | | | 1 |
| QSA125N1 | 1 | ✓ | 3P | QSATCOVERBOX1 | 1319432 | 1 |
| QSA160N1 | 1 | ✓ | 3P | | | 1 |
| QSA200N | 2 | ✓ | 3P | | | 1 |
| QSA250N | 2 | ✓ | 3P | | | 1 |
| QSA315N | 2 | ✓ | 3P | QSATCOVERBOX2 | 1319418 | 1 |
| QSA400N | 2 | ✓ | 3P | | | 1 |

Accessories

Transparent front cover

Used to shield live parts at the front of the QSA fused switch-disconnector



1319426

| QSA Type | Frame size | DIN | BS | Part number | Article number | Pack qty |
|----------------|------------|-----|----|---------------------|----------------|----------|
| QSA40N0 | 0 | ✓ | ✓ | QSAFCOVER40N0-63N0 | 1320237 | 1 |
| QSA63N0 | 0 | ✓ | ✓ | | | 1 |
| QSA63N1 | 1 | ✓ | ✓ | QSAFCOVER63N1-125N1 | 1319435 | 1 |
| QSA100N1 (DIN) | 1 | ✓ | | | | 1 |
| QSA125N1 (DIN) | 1 | ✓ | | | | 1 |
| QSA160N1 (DIN) | 1 | ✓ | | | | 1 |
| QSA100N1 (BS) | 1 | | ✓ | QSAFCOVER160N1-A4/3 | 1319423 | 1 |
| QSA125N1 (BS) | 1 | | ✓ | | | 1 |
| QSA160N1 (BS) | 1 | | ✓ | | | 1 |
| QSA200N | 2 | ✓ | ✓ | QSAFCOVER160N-400N | 1319429 | 1 |
| QSA250N | 2 | ✓ | ✓ | | | 1 |
| QSA315N | 2 | ✓ | ✓ | | | 1 |
| QSA400N | 2 | ✓ | ✓ | | | 1 |
| QSA400 | 3 | ✓ | ✓ | | | 1 |
| QSA630 | 3 | ✓ | ✓ | QSAFCOVER400-800 | 1319426 | 1 |
| QSA800 | 3 | ✓ | ✓ | | | 1 |

1-pole rear cover

Used to shield live parts at the back of the QSA fused switch-disconnector



1319439

| QSA Type | Frame size | DIN | BS | Number of poles | Part number | Article number | Pack qty |
|---------------|------------|-----|----|-----------------|--------------------|----------------|----------|
| QSA63N1 | 1 | ✓ | ✓ | 1P | QSARCOVER1P63-160 | 1319439 | 1 |
| QSA100N1 (BS) | 1 | | ✓ | 1P | | | 1 |
| QSA125N1 | 1 | ✓ | ✓ | 1P | | | 1 |
| QSA160N1 | 1 | ✓ | ✓ | 1P | | | 1 |
| QSA200N | 2 | ✓ | ✓ | 1P | QSARCOVER1P160-400 | 1319441 | 1 |
| QSA250N | 2 | ✓ | ✓ | 1P | | | 1 |
| QSA315N | 2 | ✓ | ✓ | 1P | | | 1 |
| QSA400N | 2 | ✓ | ✓ | 1P | | | 1 |

Rear cover for QSA frame size 3 only

Used to shield live parts at the back of the QSA fused switch-disconnector frame size 3



1319417

| QSA Type | Frame size | DIN | BS | Number of poles | Part number | Article number | Pack qty |
|----------|------------|-----|----|-----------------|-----------------------|----------------|----------|
| QSA400 | 3 | ✓ | ✓ | 1P | QSARCOVER400-800-C3/3 | 1319417 | 1 |
| QSA630 | 3 | ✓ | ✓ | 1P | | | 1 |
| QSA800 | 3 (BS) | | ✓ | 1P | | | 1 |

Fused switch-disconnectors, 40 A to 800 A, 690 V a.c.

QSA Fused switch-disconnector

Accessories

Coupling links for extension of universal shafts



1319833



1319336

| QSA Type | Frame size | DIN/BS | Shaft mm□ | Part number | Article number | Pack qty |
|----------|------------|--------|-----------|-------------|----------------|----------|
| QSA40N0 | 0 | ✓ | 6 x 6 | COUP6X6MM | 1319833 | 1 |
| QSA63N0 | 0 | ✓ | 6 x 6 | | | 1 |
| QSA63N1 | 1 | ✓ | 8 x 8 | COUP8X8MM | 1319332 | 1 |
| QSA100N1 | 1 | ✓ | 8 x 8 | | | 1 |
| QSA125N1 | 1 | ✓ | 8 x 8 | | | 1 |
| QSA160N1 | 1 | ✓ | 8 x 8 | | | 1 |
| QSA200N | 2 | ✓ | 10 x 10 | COUP10X10MM | 1319334 | 1 |
| QSA250N | 2 | ✓ | 10 x 10 | | | 1 |
| QSA315N | 2 | ✓ | 10 x 10 | | | 1 |
| QSA400N | 2 | ✓ | 10 x 10 | | | 1 |
| QSA400 | 3 | ✓ | 12 x 12 | | | 1 |
| QSA630 | 3 | ✓ | 12 x 12 | COUP12X12MM | 1319336 | 1 |
| QSA800 | 3 | ✓ | 12 x 12 | | | 1 |

Coupling links for converting shafts sizes



1319398

| Shaft mm□ | Part number | Article number | Pack qty |
|-------------------------------|-------------|----------------|----------|
| From 10 x 10 mm to 12 x 12 mm | 4K10/4K12 | 1319398 | 1 |
| From 12 x 12 mm to 14 x 14 mm | 4K12/4K14 | 1318685 | 1 |

Technical data

QSA 40 - 63 A, DIN or BS fuse links, frame size 0

| | | QSA 40N0 | | QSA 63N0 | |
|---|------------|---|-------------------------------|------------------------------------|-------------------------------|
| Conventional free air thermal current | I_{th} | 40 A | | 63 A | |
| Conventional enclosed thermal current | I_{the} | 40 A | | 63 A | |
| Rated uninterrupted current | I_u | 40 A | | 63 A | |
| Rated operational voltage | U_e | 690 V | | 690 V | |
| Rated insulation voltage | U_i | 800 V | | 800 V | |
| Rated impulse withstand voltage | U_{imp} | 8 kV 6 kV with switched neutral | | 8 kV 6 kV with switched neutral | |
| Rated frequency | | 50 Hz | | 50 Hz | |
| Storage temperature | | -30°C...+80°C | | -30°C...+80°C | |
| Rated operational current | | | | | |
| AC-21A | | | | | |
| At $U_e = 415$ V AC-21A | I_e | 40 A | | 63 A | |
| At $U_e = 500$ V AC-21A | I_e | 40 A | | 63 A | |
| At $U_e = 690$ V AC-21A | I_e | 40 A | | 63 A | |
| AC-22A | | | | | |
| At $U_e = 415$ V AC-22A | I_e | 40 A | | 63 A | |
| At $U_e = 500$ V AC-22A | I_e | 40 A | | 63 A | |
| At $U_e = 690$ V AC-22A | I_e | 40 A | | 63 A | |
| AC-23A | | | | | |
| At $U_e = 415$ V AC-23A | I_e | 40 A | | 63 A | |
| At $U_e = 500$ V AC-23A | I_e | 40 A | | 63 A | |
| At $U_e = 690$ V AC-23A | I_e | 40 A | | 63 A | |
| Rated operational power | | | | | |
| At $U_e = 415$ V AC-23A | | 22 kW | | 30 kW | |
| At $U_e = 500$ V AC-23A | | 25 kW | | 45 kW | |
| At $U_e = 690$ V AC-23A | | 37 kW | | 59 kW | |
| Rated conditional short-circuit current | $I_p(I_q)$ | 690 V: 50 kA | 415 V: 100 kA | 690 V: 50 kA | 415 V: 100 kA |
| Cut-off current | max. | 690 V: 14.5 kA | 440 V: 11 kA | 690 V: 14.5 kA | 440 V: 11 kA |
| Joule integral | max. | 690 V: 140 kA ² s | 440 V: 18.4 kA ² s | 690 V: 140 kA ² s | 440 V: 18.4 kA ² s |
| Fuse-link max | I_n | 690 V: 125 A | 440 V: 63 A | 690 V: 125 A | 440 V: 63 A |
| Compatible fuse links | | NH 000, NH 00 and BS Ref A3 | | NH 000, NH 00 and BS Ref A3 | |
| Power dissipation per pole | P | 1.5 W | | 2.3 W | |
| Pollution degree | | III/3 | | III/3 | |
| Protection class | | IP00 without terminal cover IP20 with terminal cover | | | |
| Standards | | EN-IEC 60947-3, EAC | | | |
| Certification | | KEMA-KEUR, Lloyd's Register | | | |

Fused switch-disconnectors, 40 A to 800 A, 690 V a.c.

QSA Fused switch-disconnector

Technical data

QSA 63 - 160 A, DIN or BS fuse links, frame size 1

| | | QSA 63N1 | QSA 100N1 | QSA 125N1 | QSA 160N1 |
|---|-------------|--|---|--|---|
| Conventional free air thermal current | I_{th} | 63 A | 100 A | 125 A | 160 A |
| Conventional enclosed thermal current | I_{the} | 63 A | 100 A | 125 A | 160 A |
| Rated uninterrupted current | I_u | 63 A | 100 A | 125 A | 160 A |
| Rated operational voltage | U_e | 690 V | 690 V | 690 V | 690 V |
| Rated insulation voltage | U_i | 1000 V | 1000 V | 1000 V | 1000 V |
| Rated impulse withstand voltage | U_{imp} | 8 kV 6 kV with switched neutral | 8 kV 6 kV with switched neutral | 8 kV 6 kV with switched neutral | 8 kV 6 kV with switched neutral |
| Rated frequency | | 50 Hz | 50 Hz | 50 Hz | 50 Hz |
| Storage temperature | | -30°C...+80°C | -30°C...+80°C | -30°C...+80°C | -30°C...+80°C |
| Mechanical lifespan | Operations | 20,000 | 20,000 | 20,000 | 20,000 |
| Rated operational current | | | | | |
| AC-21A | | | | | |
| At $U_e = 415$ V AC-21A | I_e | 63 A | 100 A | 125 A | 160 A |
| At $U_e = 500$ V AC-21A | I_e | 63 A | 100 A | 125 A | 160 A |
| At $U_e = 690$ V AC-21A | I_e | 63 A | 100 A | 125 A | 160 A |
| AC-22A | | | | | |
| At $U_e = 415$ V AC-22A | I_e | 63 A | 100 A | 125 A | 160 A |
| At $U_e = 500$ V AC-22A | I_e | 63 A | 100 A | 125 A | 160 A |
| At $U_e = 690$ V AC-22A | I_e | 63 A | 100 A | 125 A | 160 A |
| AC-23A | | | | | |
| At $U_e = 415$ V AC-23A | I_e | 63 A | 100 A | 125 A | 160 A |
| At $U_e = 500$ V AC-23A | I_e | 63 A | 100 A | 125 A | 160 A |
| At $U_e = 690$ V AC-23A | I_e | 63 A | 100 A | 125 A | 160 A |
| Rated operational power | | | | | |
| At $U_e = 415$ V AC-23A | | 30 kW | 55 kW | 59 kW | 90 kW |
| At $U_e = 500$ V AC-23A | | 45 kW | 59 kW | 80 kW | 110 kW |
| At $U_e = 690$ V AC-23A | | 59 kW | 90 kW | 110 kW | 147 kW |
| Rated conditional short-circuit current | $I_p (I_q)$ | 690 V: 50 kA 415 V: 100 kA | 690 V: 50 kA 415 V: 100 kA | 690 V: 50 kA 415 V: 100 kA | 690 V: 50 kA 415 V: 100 kA |
| Cut-off current | max. | 690 V: 27 kA 440 V: 23 kA | 690 V: 27 kA 440 V: 23 kA | 690 V: 27 kA 440 V: 23 kA | 690 V: 27 kA 440 V: 23 kA |
| Joule integral | max. | 690 V: 820 kA ² s 440 V: 143 kA ² s | 690 V: 140 kA ² s 440 V: 18.4 kA ² s | 690 V: 820 kA ² s 440 V: 143 kA ² s | 690 V: 140 kA ² s 440 V: 18.4 kA ² s |
| Fuse-link max | I_n | 690 V: 315 A 440 V: 160 A | 690 V: 315 A 440 V: 160 A | 690 V: 315 A 440 V: 160 A | 690 V: 315 A 440 V: 160 A |
| Compatible fuse links | | NH00 BS Ref A3 | NH 00 BS Ref A4 max. ø 30mm | NH 00 BS Ref B1 and B2 | NH 00 BS ref B1 |
| Power dissipation per pole | P | 2 W | 6 W | 9 W | 10 W |
| Pollution degree | | III/3 | III/3 | III/3 | III/3 |
| Protection class | | IP00 without terminal cover IP20 with terminal cover | | | |
| Standards | | EN-IEC 60947-3, EAC | | | |
| Certification | | KEMA-KEUR, Lloyd's Register | | | |

Technical data

QSA 200 - 400 A, DIN or BS fuse links, frame size 2

| | | QSA 200N | QSA 250N | QSA 315N | QSA 400N |
|---|-------------|--|--|--|--|
| Conventional free air thermal current | I_{th} | 200 A | 250 A | 315 A | 400 A |
| Conventional enclosed thermal current | I_{the} | 200 A | 250 A | 315 A | 355 A* |
| Rated uninterrupted current | I_u | 200 A | 250 A | 315 A | 355 A / 400 A |
| Rated operational voltage | U_e | 690 V | 690 V | 690 V | 690 V |
| Rated insulation voltage | U_i | 1000 V | 1000 V | 1000 V | 1000 V |
| Rated impulse withstand voltage | U_{imp} | 12 kV 8 kV with neutral | 12 kV 8 kV with neutral | 12 kV 8 kV with neutral | 12 kV 8 kV with neutral |
| Rated frequency | | 50 Hz | 50 Hz | 50 Hz | 50 Hz |
| Storage temperature | | -30°C...+80°C | -30°C...+80°C | -30°C...+80°C | -30°C...+80°C |
| Mechanical lifespan | Operations | 16,000 | 16,000 | 16,000 | 16,000 |
| Rated operational current | | | | | |
| AC-21A | | | | | |
| At $U_e = 415$ V AC-21A | I_e | 200 A | 250 A | 315 A | 400 A |
| At $U_e = 500$ V AC-21A | I_e | 200 A | 250 A | 315 A | 400 A |
| At $U_e = 690$ V AC-21A | I_e | 200 A | 250 A | 315 A | 400 A |
| AC-22A | | | | | |
| At $U_e = 415$ V AC-22A | I_e | 200 A | 250 A | 315 A | 400 A |
| At $U_e = 500$ V AC-22A | I_e | 200 A | 250 A | 315 A | 400 A |
| At $U_e = 690$ V AC-22A | I_e | 200 A | 250 A | 315 A | 400 A |
| AC-23A | | | | | |
| At $U_e = 415$ V AC-23A | I_e | 200 A | 250 A | 315 A | 400 A |
| At $U_e = 500$ V AC-23A | I_e | 200 A | 250 A | 315 A | 400 A |
| At $U_e = 690$ V AC-23A | I_e | 200 A | 250 A | 315 A | 400 A |
| Rated operational power | | | | | |
| At $U_e = 415$ V AC-23A | | 110 kW | 147 kW | 184 kW | 220 kW |
| At $U_e = 500$ V AC-23A | | 140 kW | 160 kW | 220 kW | 257 kW |
| At $U_e = 690$ V AC-23A | | 184 kW | 220 kW | 295 kW | 375 kW |
| Rated conditional short-circuit current | $I_p (I_q)$ | 690 V: 50 kA 415 V: 100 kA | 690 V: 50 kA 415 V: 100 kA | 690 V: 50 kA 415 V: 100 kA | 690 V: 50 kA 415 V: 100 kA |
| Cut-off current | max. | 690 V: 57 kA 440 V: 43 kA | 690 V: 57 kA 440 V: 43 kA | 690 V: 57 kA 440 V: 43 kA | 690 V: 57 kA 440 V: 43 kA |
| Joule integral | max. | 690 V: 13000 kA ² s 440 V: 986 kA ² s | 690 V: 13000 kA ² s 440 V: 986 kA ² s | 690 V: 13000 kA ² s 440 V: 986 kA ² s | 690 V: 13000 kA ² s 440 V: 986 kA ² s |
| Fuse-link max | I_n | 690 V: 630 A 440 V: 400 A | 690 V: 630 A 440 V: 400 A | 690 V: 630 A 440 V: 400 A | 690 V: 630 A 440 V: 400 A |
| Compatible fuse links | | NH 1 and NH 2 BS Ref B1 and B2 | NH 1 and NH 2 BS Ref B1 to B4 | NH 1 and 2 BS Ref B1 to B4 | NH 1 and 2 BS Ref B1 to B4 |
| Power dissipation per pole | P | 10 W | 12 W | 18 W | 28 W |
| Pollution degree | | III/3 | III/3 | III/3 | III/3 |
| Protection class | | IP00 without terminal cover IP20 with terminal cover | | | |
| Standards | | EN-IEC 60947-3, EAC | | | |
| Certification | | KEMA-KEUR, Lloyd's Register | | | |

* 400 A thermal current rating only applicable when utilised in a ventilated enclosure

Fused switch-disconnectors, 40 A to 800 A, 690 V a.c.

QSA Fused switch-disconnector

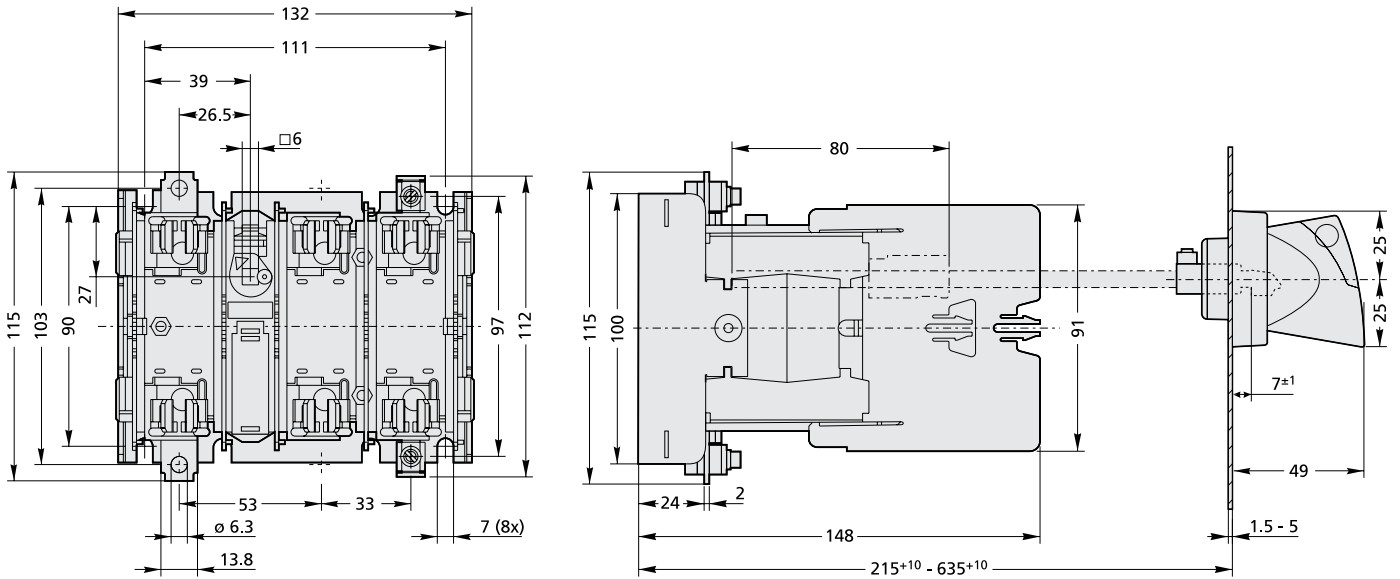
Technical data

QSA 400 - 800 A, DIN or BS fuse links, frame size 3

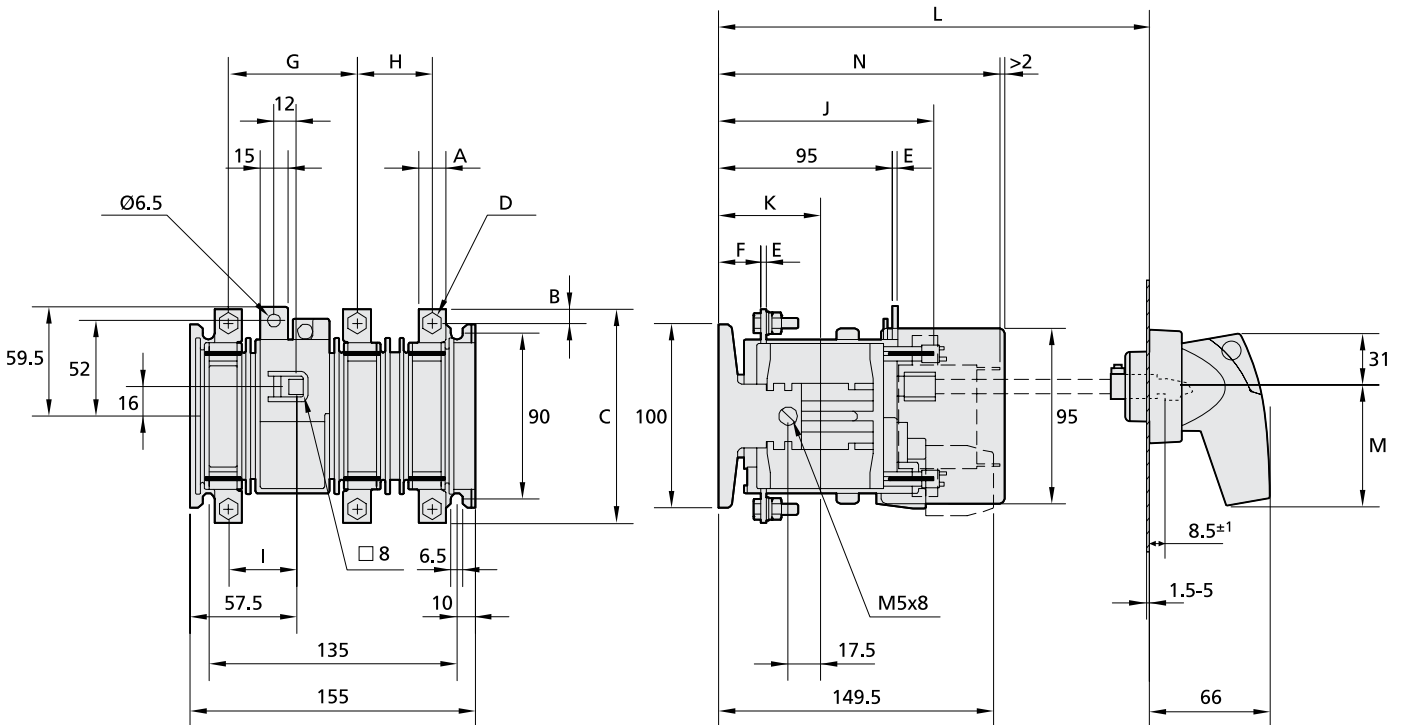
| | | QSA 400 | QSA 630 | QSA 800 |
|---|-------------|---|---|---|
| Conventional free air thermal current | I_{th} | 400 A | 630 A | 800 A |
| Conventional enclosed thermal current | I_{the} | 400 A | 630 A | 800 A |
| Rated uninterrupted current | I_u | 400 A | 630 A | 800 A |
| Rated operational voltage | U_e | 690 V | 690 V | 690 V |
| Rated insulation voltage | U_i | 1000 V | 1000 V | 1000 V |
| Rated impulse withstand voltage | U_{imp} | 12 kV | 12 kV | 12 kV |
| Rated impulse withstand voltage | U_{imp} | 12 kV 8 kV with neutral | 12 kV 8 kV with neutral | 12 kV 8 kV with neutral |
| Rated frequency | | 50 Hz | 50 Hz | 50 Hz |
| Storage temperature | | -30°C ... +80°C | -30°C ... +80°C | -30°C ... +80°C |
| Mechanical lifespan | Operations | 10,000 | 10,000 | 10,000 |
| Rated operational current | | | | |
| AC-21A | | | | |
| At $U_e = 415$ V AC-21A | I_e | 400 A | 630 A | 800 A |
| At $U_e = 500$ V AC-21A | I_e | 400 A | 630 A | 800 A |
| At $U_e = 690$ V AC-21A | I_e | 400 A | 630 A | 800 A |
| AC-22A | | | | |
| At $U_e = 415$ V AC-22A | I_e | 400 A | 630 A | 800 A |
| At $U_e = 500$ V AC-22A | I_e | 400 A | 630 A | 800 A |
| At $U_e = 690$ V AC-22A | I_e | 400 A | 630 A | 800 A |
| AC-23A | | | | |
| At $U_e = 415$ V AC-23A | I_e | 400 A | 630 A | 800 A |
| At $U_e = 500$ V AC-23A | I_e | 400 A | 630 A | 800 A |
| At $U_e = 690$ V AC-23A | I_e | 400 A | 630 A | 800 A |
| Rated operational power | | | | |
| At $U_e = 415$ V AC-23A | | 220 kW | 375 kW | 500 kW |
| At $U_e = 500$ V AC-23A | | 220 kW | 375 kW | 500 kW |
| At $U_e = 690$ V AC-23A | | 220 kW | 375 kW | 500 kW |
| Rated conditional short-circuit current | $I_p (I_q)$ | 690 V: 50 kA 415 V: 100 kA | 690 V: 50 kA 415 V: 100 kA | 690 V: 50 kA 415 V: 100 kA |
| Cut-off current | max. | 690 V: 64 kA 440 V: 62.5 kA | 690 V: 64 kA 440 V: 62.5 kA | 690 V: 64 kA 440 V: 62.5 kA |
| Joule integral | max. | 690 V: 13000 kA ² s 440 V: 3700 kA ² s | 690 V: 13000 kA ² s 440 V: 3700 kA ² s | 690 V: 13000 kA ² s 440 V: 3700 kA ² s |
| Fuse-link max | I_n | 690 V: 800 A 440 V: 630 A | 690 V: 800 A 440 V: 630 A | 690 V: 800 A 440 V: 630 A |
| Compatible fuse links | | NH 3 BS Ref C1 and C3 | NH 3 BS Ref C1 and C3 | NH 3 BS Ref C1 and C3 |
| Power dissipation per pole | P | 28 W | 28 W | 58 W |
| Pollution degree | | III/3 | III/3 | III/3 |
| Protection class | | IP00 without terminal cover IP20 with terminal cover | | |
| Standards | | EN-IEC 60947-3, EAC | | |
| Certification | | KEMA-KEUR, Lloyd's Register | | |

Outline drawings

DIN QSA 40 A and 63 A - Frame size 0 - mm



DIN QSA 63 A to 160 A - Frame size 1 - mm



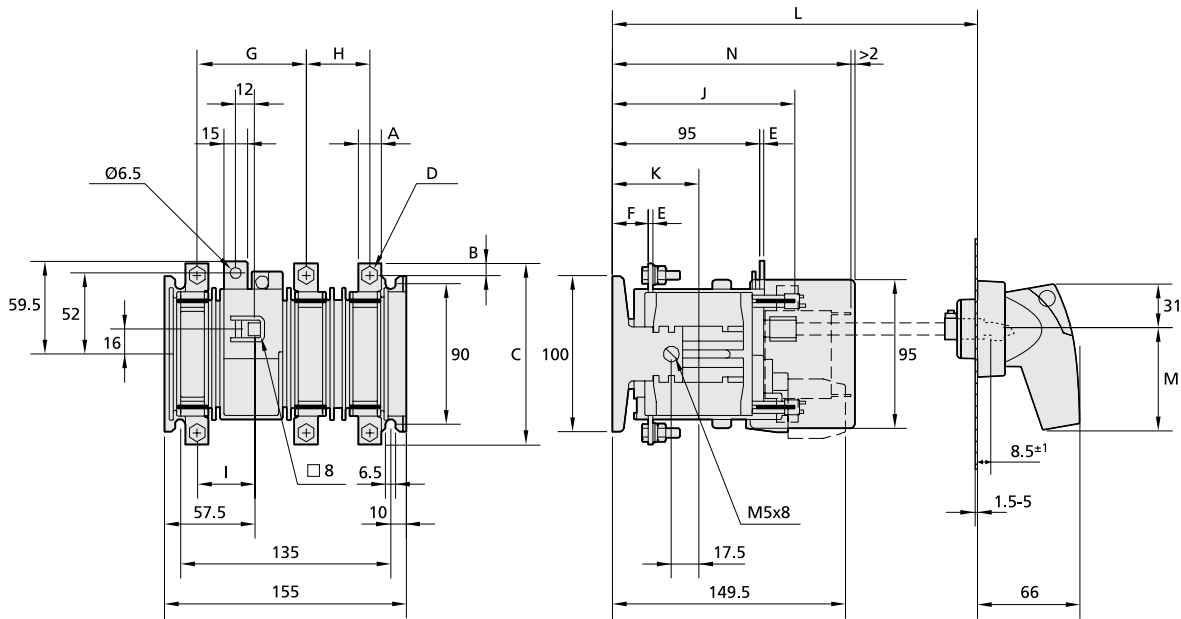
| Type | A | B | C | D | E | F | G | H | I | J | K | L | M | N |
|--------------|----|-----|-----|----|---|----|----|------|----|-----|------|---|----|-------|
| QSA 63N1-00 | 12 | 6 | 100 | M5 | 2 | 24 | 72 | 38.5 | 38 | 118 | 55.5 | 200 ⁺¹⁰ - 620 ⁺¹⁰ | 62 | 155.5 |
| QSA 100N1-00 | 15 | 7.5 | 116 | M6 | 3 | 23 | 70 | 40.5 | 37 | 118 | 55.5 | 200 ⁺¹⁰ - 620 ⁺¹⁰ | 62 | 155.5 |
| QSA 125N1-00 | 15 | 7.5 | 116 | M8 | 3 | 23 | 70 | 40.5 | 37 | 118 | 55.5 | 200 ⁺¹⁰ - 620 ⁺¹⁰ | 62 | 155.5 |
| QSA 160N1-00 | 20 | 10 | 127 | M8 | 3 | 23 | 65 | 45.5 | 35 | 118 | 55.5 | 200 ⁺¹⁰ - 620 ⁺¹⁰ | 62 | 163 |

Fused switch-disconnectors, 40 A to 800 A, 690 V a.c.

QSA Fused switch-disconnector

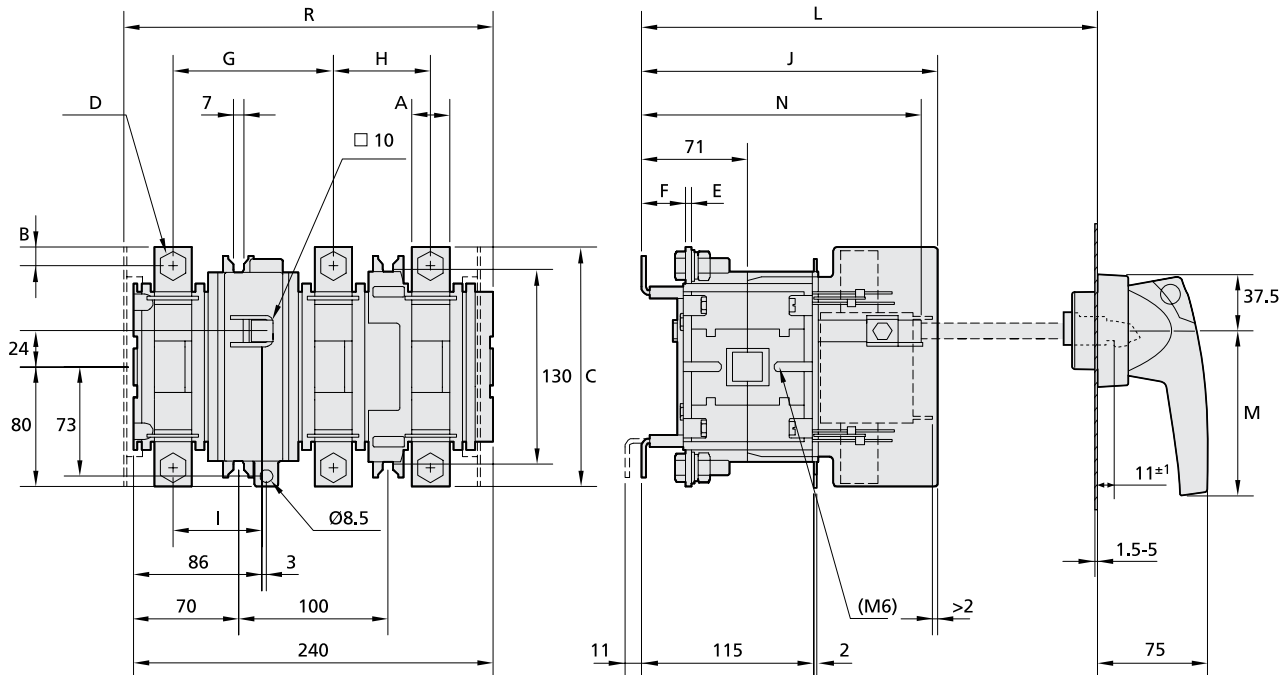
Outline drawings

DIN QSA 200 A to 400 A - Frame size 2 - mm



| Type | A | B | C | D | E | F | G | H | I | J | K | L | M | N | R |
|------------|----|------|-----|-----|---|----|-----|----|------|-----|-----|---|-----|-----|-------|
| QSA 200N-2 | 25 | 12.5 | 160 | M10 | 4 | 29 | 107 | 65 | 59.5 | 198 | 160 | 205 ⁺¹⁰ - 625 ⁺¹⁰ | 140 | 188 | 246.5 |
| QSA 250N-2 | 25 | 12.5 | 160 | M10 | 4 | 29 | 107 | 65 | 59.5 | 198 | 160 | 205 ⁺¹⁰ - 625 ⁺¹⁰ | 140 | 188 | 246.5 |
| QSA 315N-2 | 25 | 12.5 | 160 | M10 | 6 | 27 | 107 | 65 | 59.5 | 198 | 160 | 205 ⁺¹⁰ - 625 ⁺¹⁰ | 140 | 188 | 246.5 |
| QSA 400N-2 | 25 | 12.5 | 160 | M10 | 6 | 27 | 107 | 65 | 59.5 | 198 | 160 | 205 ⁺¹⁰ - 625 ⁺¹⁰ | 140 | 188 | 246.5 |

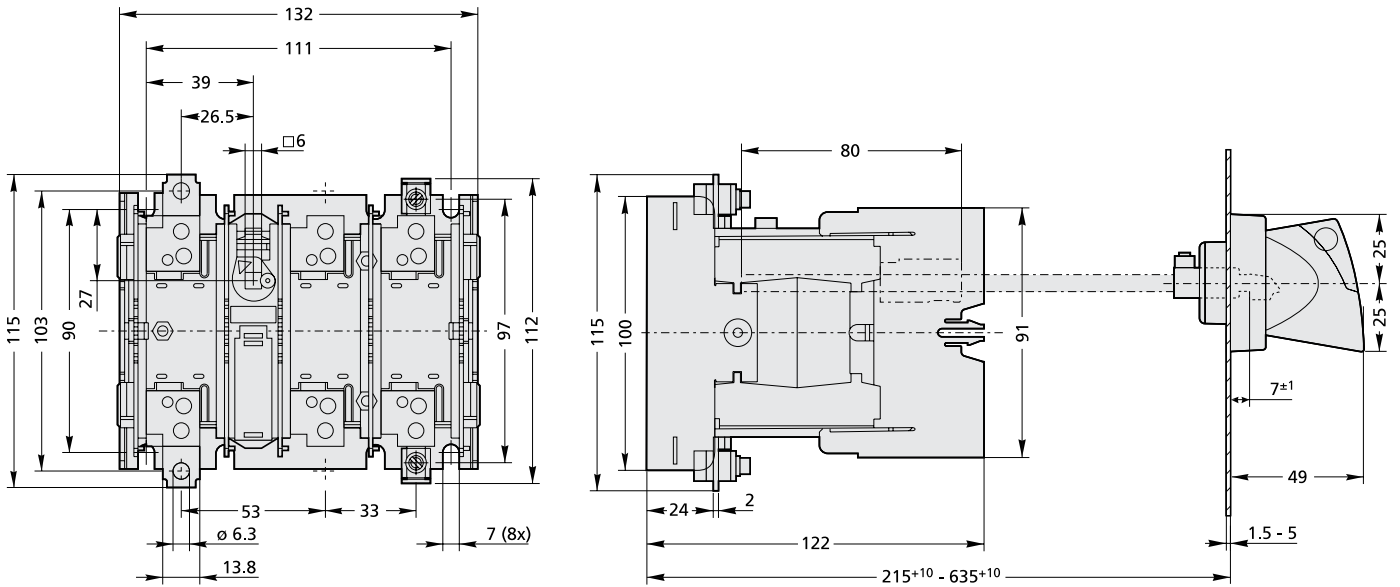
DIN QSA 400 A and 630 A - Frame size 3 - mm



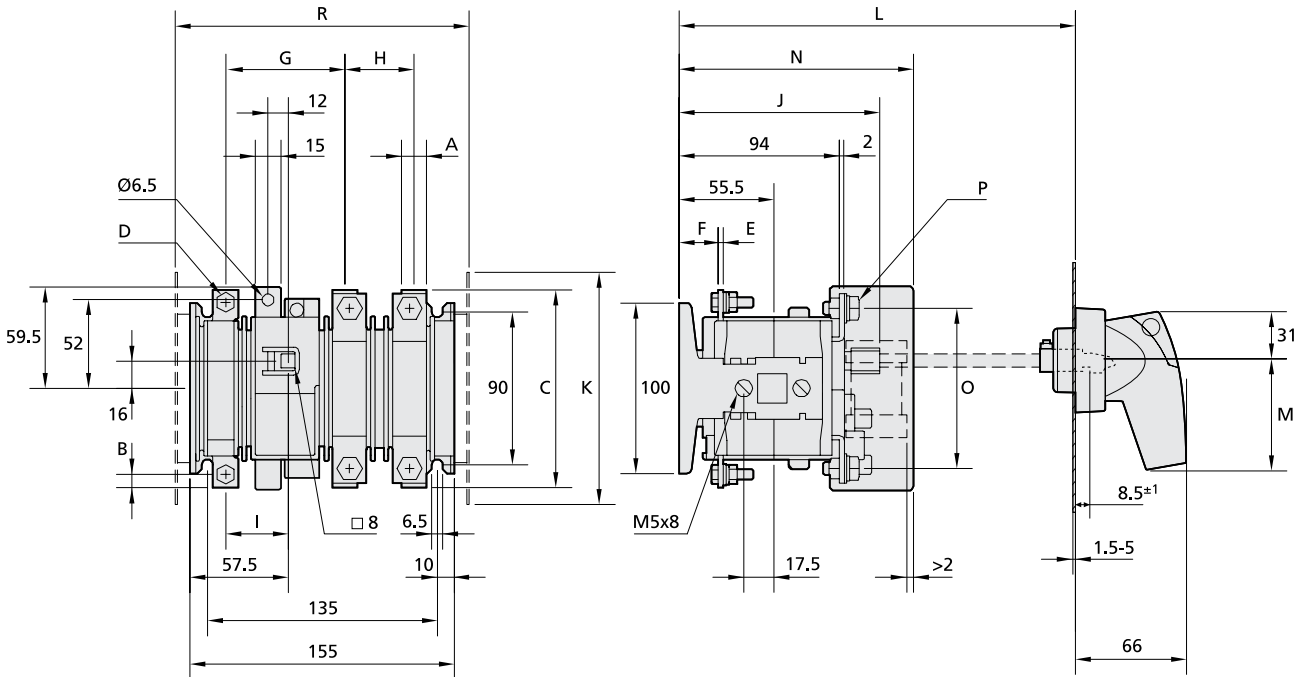
| Type | A | B | C | D | E | F | G | H | I | J | K | L | M | N |
|-----------|----|----|-----|-----|---|----|----|----|----|-----|-----|---|-----|-----|
| QSA 400-3 | 40 | 20 | 270 | M12 | 6 | 23 | 87 | 87 | 60 | 173 | 205 | 320 ⁺¹⁰ - 620 ⁺¹⁰ | 200 | 240 |
| QSA 630-3 | 40 | 20 | 270 | M12 | 6 | 23 | 87 | 87 | 60 | 173 | 205 | 320 ⁺¹⁰ - 620 ⁺¹⁰ | 200 | 240 |

Outline drawings

BS QSA 40 A and 63 A - Frame size 0 - mm



BS QSA 63 A to 160 A - Frame size 1 - mm



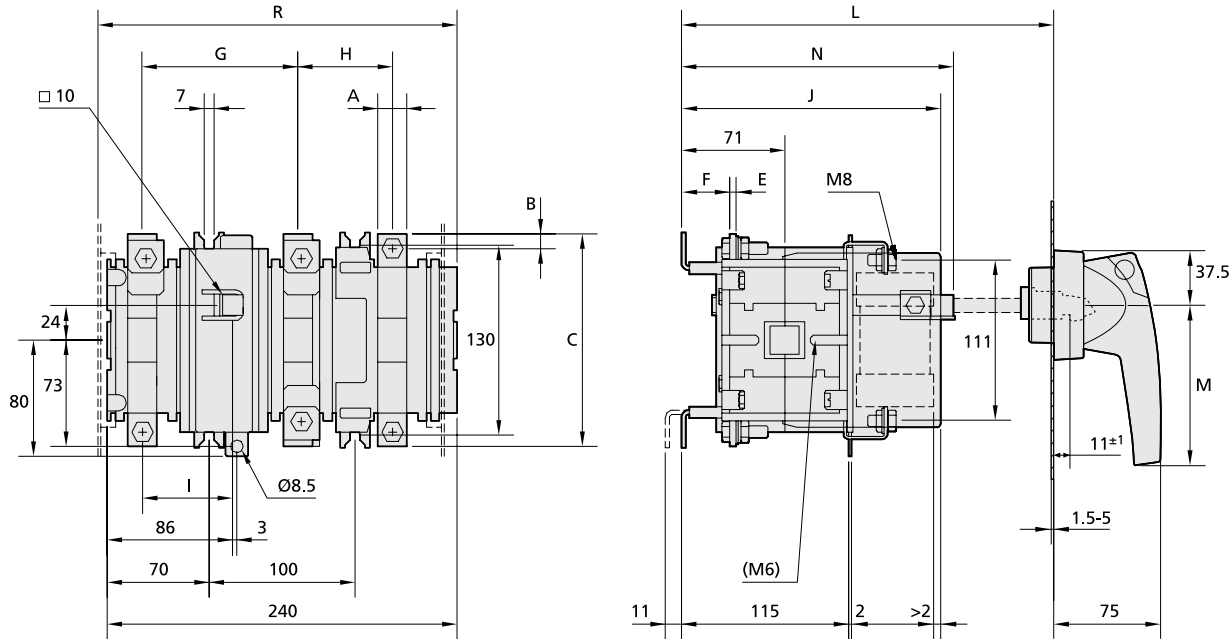
| Type | A | B | C | D | E | F | G | H | I | J | K | L | M | N | O | P | R |
|--------------|----|-----|-----|----|---|----|----|------|----|-----|-----|---|----|-------|-----|----|-----|
| QSA 63N1-A3 | 12 | 6 | 100 | M5 | 2 | 24 | 72 | 38.5 | 38 | 118 | 95 | 200 ⁺¹⁰ - 620 ⁺¹⁰ | 62 | 155.5 | 73 | M5 | - |
| QSA 100N1-A4 | 15 | 7.5 | 116 | M6 | 3 | 23 | 70 | 40.5 | 37 | 118 | 120 | 200 ⁺¹⁰ - 620 ⁺¹⁰ | 62 | 137.5 | 94 | M8 | - |
| QSA 125N1-B2 | 15 | 7.5 | 116 | M6 | 3 | 23 | 70 | 40.5 | 37 | 118 | 150 | 200 ⁺¹⁰ - 620 ⁺¹⁰ | 62 | 137.5 | 112 | M8 | 184 |
| QSA 160N1-B2 | 20 | 10 | 127 | M8 | 3 | 23 | 65 | 45.5 | 35 | 118 | 150 | 200 ⁺¹⁰ - 620 ⁺¹⁰ | 62 | 137.5 | 112 | M8 | 184 |

Fused switch-disconnectors, 40 A to 800 A, 690 V a.c.

QSA Fused switch-disconnector

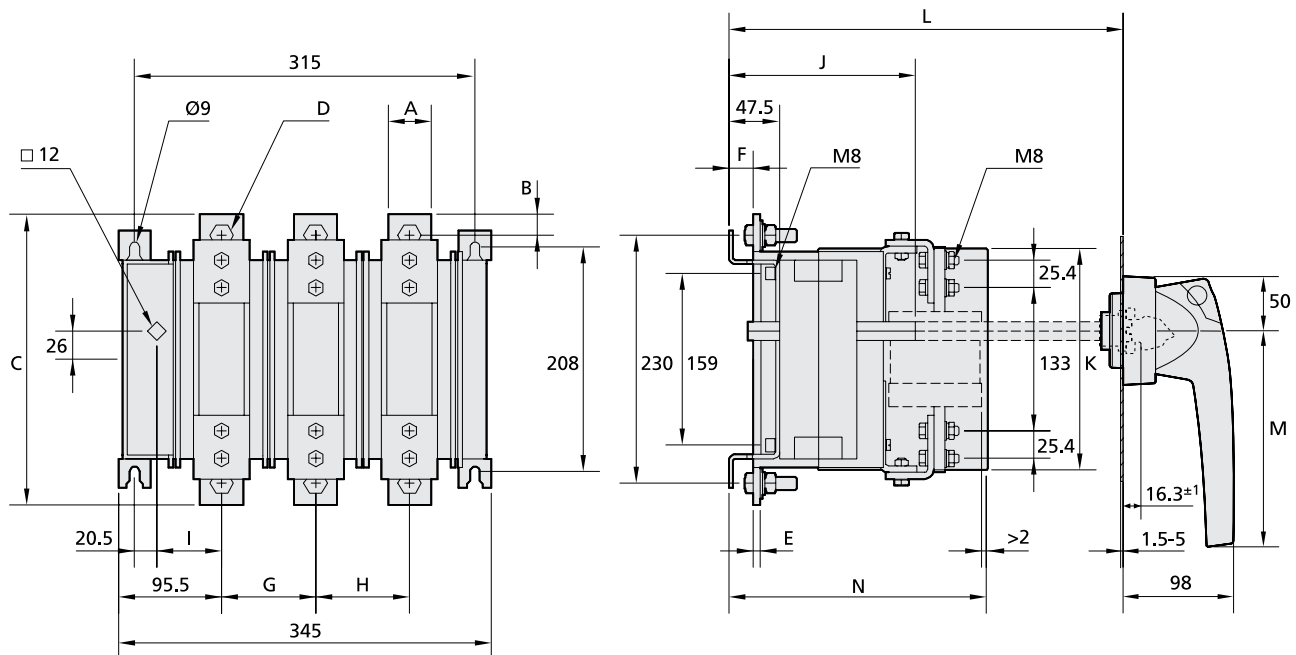
Outline drawings

BS QSA 200 A to 400 A - Frame size 2 - mm



| Type | A | B | C | D | E | F | G | H | I | J | K | L | M | N | R |
|-------------|----|------|-----|-----|---|----|-----|----|------|-----|-----|---|-----|-----|-------|
| QSA 200N-B2 | 20 | 10 | 146 | M8 | 4 | 33 | 107 | 65 | 62 | 188 | 120 | 205 ⁺¹⁵ - 625 ⁺¹⁵ | 140 | 178 | - |
| QSA 250N-B4 | 25 | 12.5 | 160 | M10 | 4 | 29 | 107 | 65 | 59.5 | 188 | 160 | 205 ⁺¹⁵ - 625 ⁺¹⁵ | 140 | 198 | 246.5 |
| QSA 315N-B4 | 25 | 12.5 | 160 | M10 | 6 | 27 | 107 | 65 | 59.5 | 188 | 160 | 205 ⁺¹⁵ - 625 ⁺¹⁵ | 140 | 198 | 246.5 |
| QSA 400N-B4 | 25 | 12.5 | 160 | M10 | 6 | 27 | 107 | 65 | 59.5 | 188 | 160 | 205 ⁺¹⁵ - 625 ⁺¹⁵ | 140 | 198 | 246.5 |

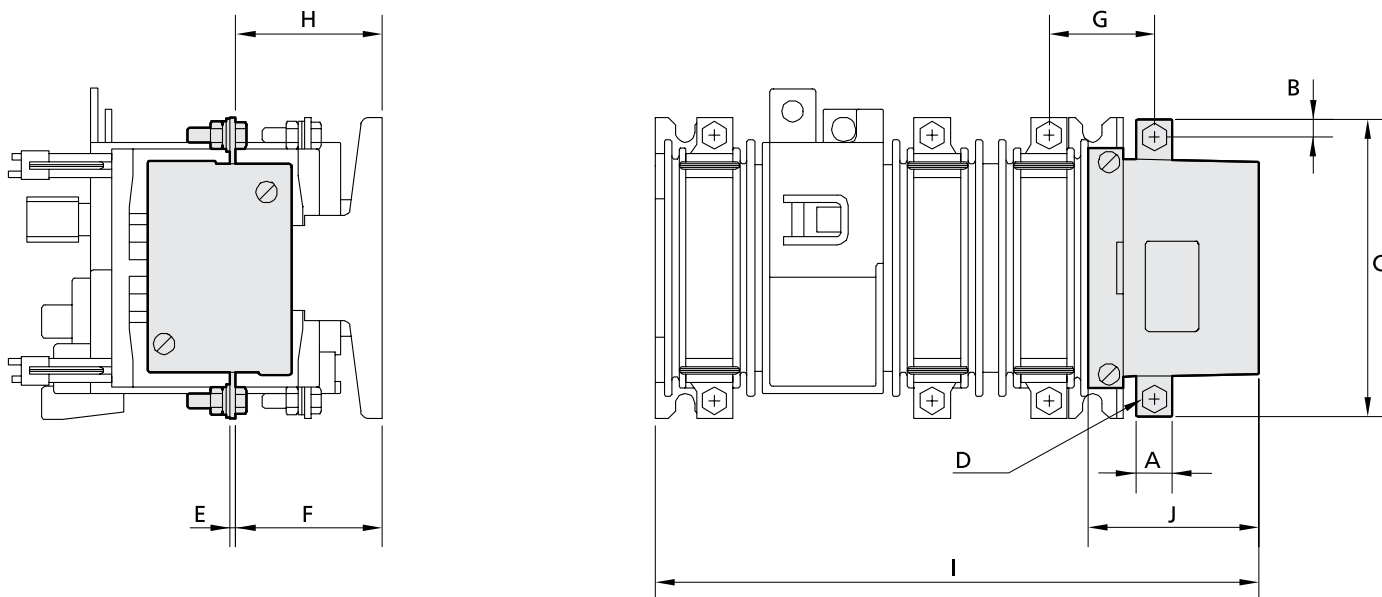
BS QSA 400 A to 800 A - Frame size 3 - mm



| Type | A | B | C | D | E | F | G | H | I | J | K | L | M | N |
|--------------|----|----|-----|-----|---|----|----|----|----|-----|-----|---|-----|-----|
| QSA 400-C3/3 | 40 | 20 | 270 | M12 | 6 | 23 | 87 | 87 | 60 | 173 | 205 | 320 ⁺¹⁰ - 620 ⁺¹⁰ | 200 | 240 |
| QSA 630-C3/3 | 40 | 20 | 270 | M12 | 6 | 23 | 87 | 87 | 60 | 173 | 205 | 320 ⁺¹⁰ - 620 ⁺¹⁰ | 200 | 240 |
| QSA 800-C3/3 | 40 | 20 | 270 | M12 | 6 | 23 | 87 | 87 | 60 | 173 | 205 | 320 ⁺¹⁰ - 620 ⁺¹⁰ | 200 | 240 |

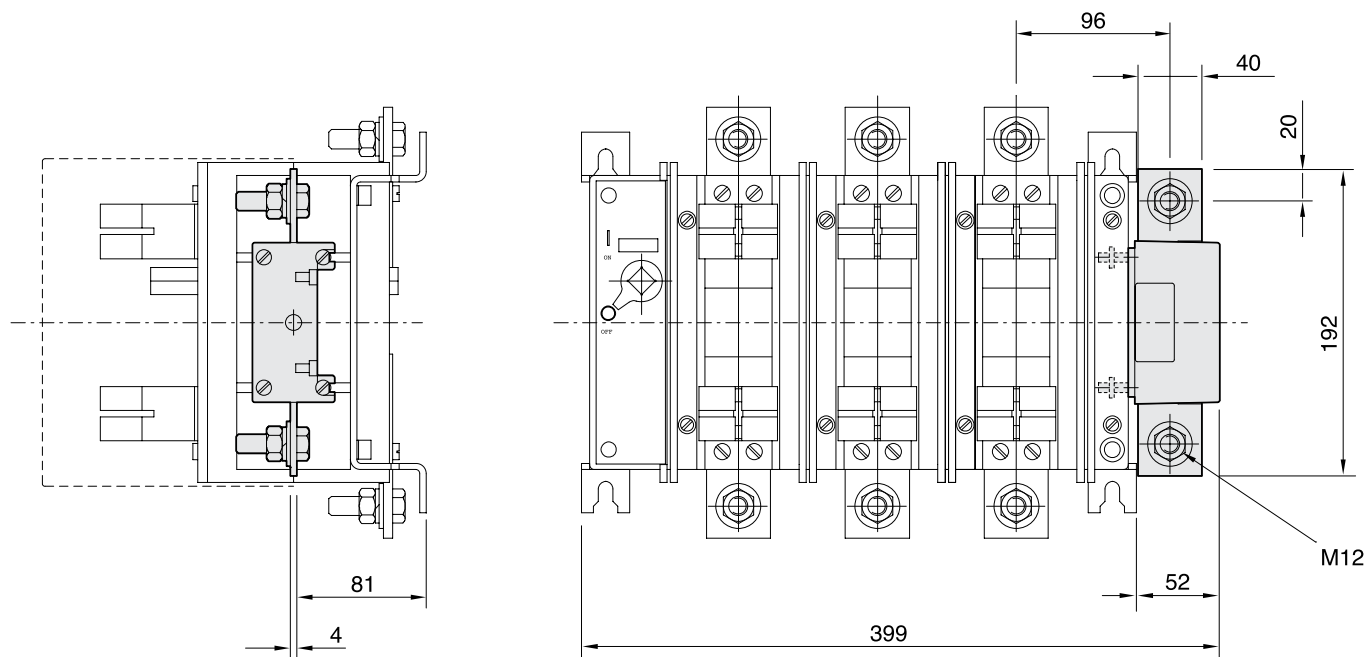
Outline drawings

BS or DIN QSA 40 A to 400 A with switched neutral - Frames sizes 0 to 2 - mm



| Type | Frame size | A | B | C | D | E | F | G | H | I | J |
|------------------|------------|----|------|-----|-----|-----|------|------|------|-----|----|
| QSA 40N0/QSA63N0 | 0 | 12 | 6 | 99 | M5 | 4.5 | 48 | 35 | 45.5 | 177 | 45 |
| QSA 63N1 | 1 | 12 | 6 | 99 | M5 | 2 | 48.5 | 36 | 48.5 | 200 | 45 |
| QSA 100N1 | 1 | 15 | 7.5 | 105 | M6 | 4.5 | 48.5 | 33.5 | 46 | 200 | 45 |
| QSA 125N1 | 1 | 15 | 7.5 | 105 | M6 | 4.5 | 48.5 | 33.5 | 46 | 200 | 45 |
| QSA 160N1 | 1 | 20 | 10 | 115 | M8 | 4.5 | 48.5 | 32 | 46 | 200 | 45 |
| QSA 200N | 2 | 20 | 10 | 146 | M8 | 4 | 69 | 53 | 69 | 299 | 53 |
| QSA 250N | 2 | 25 | 12.5 | 160 | M10 | 4 | 69 | 55.5 | 69 | 299 | 53 |
| QSA 315N | 2 | 25 | 12.5 | 160 | M10 | 4 | 69 | 55.5 | 69 | 299 | 53 |
| QSA 400N | 2 | 25 | 12.5 | 160 | M10 | 4 | 69 | 55.5 | 69 | 299 | 53 |

BS or DIN QSA 400 A to 800 A with switched neutral - Frames size 3 - mm

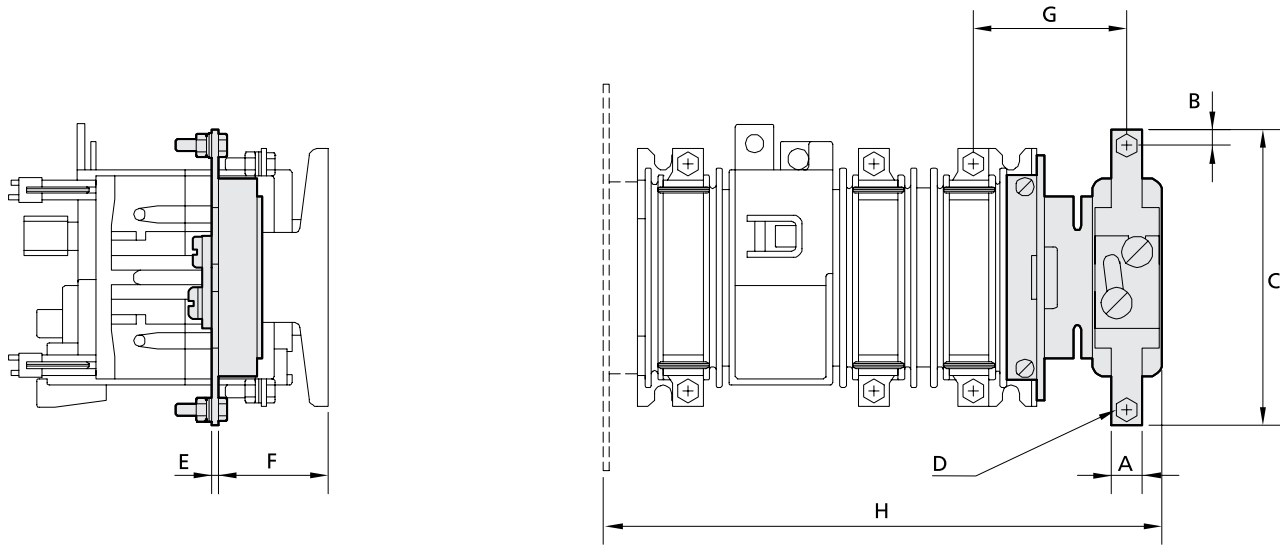


Fused switch-disconnectors, 40 A to 800 A, 690 V a.c.

QSA Fused switch-disconnector

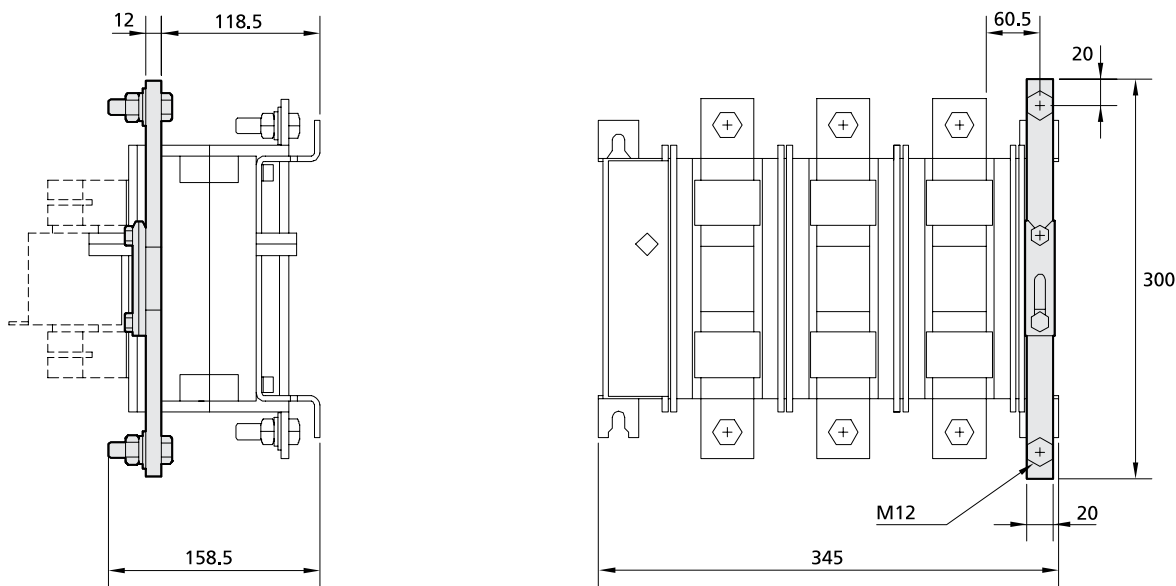
Outline drawings

BS or DIN QSA 40 A to 400 A with solid neutral - Frames sizes 0 to 2 - mm



| Type | Frame size | A | B | C | D | E | F | G | H |
|------------------|------------|----|------|-------|-----|-----|------|------|-------|
| QSA 40N0/QSA63N0 | 0 | 12 | 6 | 114 | M5 | 2.5 | 44 | 55 | 177 |
| QSA 63N1 | 1 | 12 | 6 | 114 | M5 | 2.5 | 41.5 | 57 | 203 |
| QSA 100N1 | 1 | 15 | 7.5 | 116.5 | M6 | 3 | 41.5 | 56 | 203 |
| QSA 125N1 | 1 | 15 | 7.5 | 116.5 | M6 | 3 | 41.5 | 56 | 216 |
| QSA 160N1 | 1 | 20 | 10 | 127 | M8 | 3 | 41.5 | 54 | 216 |
| QSA 200N | 2 | 20 | 10 | 146 | M8 | 4 | 70 | 79 | 296.5 |
| QSA 250N | 2 | 25 | 12.5 | 160 | M10 | 4 | 70 | 76.5 | 296.5 |
| QSA 315N | 2 | 25 | 12.5 | 160 | M10 | 4 | 70 | 76.5 | 296.5 |
| QSA 400N | 2 | 25 | 12.5 | 160 | M10 | 4 | 70 | 76.5 | 296.5 |

BS or DIN QSA 400 A to 800 A with solid neutral - Frames size 3 - mm



| Type | A | B | C | D | E | F | G | H | I |
|------------------|----|----|-----|-----|----|-------|------|-------|-----|
| QSA 40N0/QSA63N0 | 20 | 20 | 300 | M12 | 12 | 118.5 | 60.5 | 158.5 | 345 |
| QSA 63N1 | 20 | 20 | 300 | M12 | 12 | 118.5 | 60.5 | 158.5 | 345 |
| QSA 100N1 | 20 | 20 | 300 | M12 | 12 | 118.5 | 60.5 | 158.5 | 345 |

Compatible Eaton's Bussmann series Fuse links

NH Fuse links suitable for QSA DIN switch-disconnector

500 V a.c. NH with metal gripping lugs, 2 to 1250 A, sizes 000 to 4, IEC 60269 and DIN 43620



| QSA DIN Article number | Compatible NH Fuse links | | | | | | |
|---|---------------------------------------|----------|----------------------|---------------|------------|-----|---|
| | Part number | Size | Rated current (Amps) | Rated voltage | Pack qty | MOQ | |
| 1318027, 1318030, 1318033, 1320201, 1320203, 1320205, 1320207, and 13138546 | 2NHG00B | 000 | 2 | 500 V a.c. | 3 | 3 | |
| | 4NHG00B | 000 | 4 | 500 V a.c. | 3 | 3 | |
| | 6NHG00B | 000 | 6 | 500 V a.c. | 3 | 3 | |
| | 10NHG00B | 000 | 10 | 500 V a.c. | 3 | 3 | |
| | 16NHG00B | 000 | 16 | 500 V a.c. | 3 | 3 | |
| | 20NHG00B | 000 | 20 | 500 V a.c. | 3 | 3 | |
| | 25NHG00B | 000 | 25 | 500 V a.c. | 3 | 3 | |
| | 32NHG00B | 000 | 32 | 500 V a.c. | 3 | 3 | |
| | 35NHG00B | 000 | 35 | 500 V a.c. | 3 | 3 | |
| | 40NHG00B | 000 | 40 | 500 V a.c. | 3 | 3 | |
| 1318027, 1318030, 1318033, 1320203, 1320207, and 13138546 | 50NHG00B | 000 | 50 | 500 V a.c. | 3 | 3 | |
| | 63NHG00B | 000 | 63 | 500 V a.c. | 3 | 3 | |
| 1318030, 1318033 and 1318546 | 80NHG00B | 000 | 80 | 500 V a.c. | 3 | 3 | |
| | 100NHG00B | 000 | 100 | 500 V a.c. | 3 | 3 | |
| 1318027, 1318030, 1318033, 1320203, 1320207, and 13138546 | 50NHG00B | 00 | 50 | 500 V a.c. | 3 | 3 | |
| | 63NHG00B | 00 | 63 | 500 V a.c. | 3 | 3 | |
| 1318546 | 80NHG00B | 00 | 80 | 500 V a.c. | 3 | 3 | |
| | 100NHG00B | 00 | 100 | 500 V a.c. | 3 | 3 | |
| 1318030 | 125NHG00B | 00 | 125 | 500 V a.c. | 3 | 3 | |
| 1318033 | 160NHG00B | 00 | 160 | 500 V a.c. | 3 | 3 | |
| | 50NHG1B | 1 | 50 | 500 V a.c. | 3 | 3 | |
| | 63NHG1B | 1 | 63 | 500 V a.c. | 3 | 3 | |
| | 80NHG1B | 1 | 80 | 500 V a.c. | 3 | 3 | |
| | 1318526, 1318533, 1318547 and 1318548 | 100NHG1B | 1 | 100 | 500 V a.c. | 3 | 3 |
| | | 125NHG1B | 1 | 125 | 500 V a.c. | 3 | 3 |
| | | 160NHG1B | 1 | 160 | 500 V a.c. | 3 | 3 |
| | | 200NHG1B | 1 | 200 | 500 V a.c. | 3 | 3 |
| | 1318526, 1318533 and 1318548 | 224NHG1B | 1 | 224 | 500 V a.c. | 3 | 3 |
| | | 250NHG1B | 1 | 250 | 500 V a.c. | 3 | 3 |
| 1318533 and 1318548 | 315NHG1B | 1 | 315 | 440 V a.c. | 3 | 3 | |
| 1318533 | 355NHG1B | 1 | 355 | 440 V a.c. | 3 | 3 | |
| 1318526, 1318533 and 1318548 | 250NHG2B | 2 | 250 | 500 V a.c. | 3 | 3 | |
| | 300NHG2B | 2 | 300 | 500 V a.c. | 3 | 3 | |
| 1318533 and 1318548 | 315NHG2B | 2 | 315 | 500 V a.c. | 3 | 3 | |
| | 355NHG2B | 2 | 355 | 500 V a.c. | 3 | 3 | |
| 1318533 | 400NHG2B | 2 | 400 | 500 V a.c. | 3 | 3 | |
| | 315NHG3B | 3 | 315 | 500 V a.c. | 3 | 3 | |
| 1318542 and 1318543 and 1318549 | 355NHG3B | 3 | 355 | 500 V a.c. | 3 | 3 | |
| | 400NHG3B | 3 | 400 | 500 V a.c. | 3 | 3 | |
| | 425NHG3B | 3 | 425 | 500 V a.c. | 3 | 3 | |
| 1318542, 1318543 | 450NHG3B | 3 | 450 | 500 V a.c. | 3 | 3 | |
| | 500NHG3B | 3 | 500 | 500 V a.c. | 3 | 3 | |
| | 630NHG3B | 3 | 630 | 500 V a.c. | 3 | 3 | |
| 1318543 | 800NHG3B | 3 | 800 | 440 V a.c. | 3 | 3 | |

Fused switch-disconnectors, 40 A to 800 A, 690 V a.c.

QSA Fused switch-disconnector

Compatible Eaton's Bussmann series Fuse links

NH Fuse links suitable for QSA DIN switch-disconnector

500 V a.c. NH with insulated metal gripping lugs, 2 to 500 A, sizes 000 to 2, IEC 60269 and DIN 43620



| QSA DIN | Compatible NH Fuse links | | | | | |
|---|--------------------------|------|----------------------|---------------|----------|-----|
| Article number | Part number | Size | Rated current (Amps) | Rated voltage | Pack qty | MOQ |
| 1318027, 1318030, 1318033, 1318201, 1318203, 1318205, 1318207 and 1318546 | 2NHG000BI | 000 | 2 | 500 V a.c. | 3 | 3 |
| | 4NHG000BI | 000 | 4 | 500 V a.c. | 3 | 3 |
| | 6NHG000BI | 000 | 6 | 500 V a.c. | 3 | 3 |
| | 10NHG000BI | 000 | 10 | 500 V a.c. | 3 | 3 |
| | 16NHG000BI | 000 | 16 | 500 V a.c. | 3 | 3 |
| | 20NHG000BI | 000 | 20 | 500 V a.c. | 3 | 3 |
| | 25NHG000BI | 000 | 25 | 500 V a.c. | 3 | 3 |
| | 32NHG000BI | 000 | 32 | 500 V a.c. | 3 | 3 |
| | 35NHG000BI | 000 | 35 | 500 V a.c. | 3 | 3 |
| | 40NHG000BI | 000 | 40 | 500 V a.c. | 3 | 3 |
| 1318027, 1318030, 1318033, 1318203, 1318207 and 1318546 | 50NHG000BI | 000 | 50 | 500 V a.c. | 3 | 3 |
| | 63NHG000BI | 000 | 63 | 500 V a.c. | 3 | 3 |
| 1318030, 1318033, 1318203, and 1318546 | 80NHG000BI | 000 | 80 | 500 V a.c. | 3 | 3 |
| | 100NHG000BI | 000 | 100 | 500 V a.c. | 3 | 3 |
| 1318030 and 1318033 | 125NHG00BI | 00 | 125 | 500 V a.c. | 3 | 3 |
| 1318033 | 160NHG00BI | 00 | 160 | 500 V a.c. | 3 | 3 |
| | 50NHG1BI | 1 | 50 | 500 V a.c. | 3 | 3 |
| 1318526, 1318533, 1318547 and 1318548 | 63NHG1BI | 1 | 63 | 500 V a.c. | 3 | 3 |
| | 80NHG1BI | 1 | 80 | 500 V a.c. | 3 | 3 |
| | 100NHG1BI | 1 | 100 | 500 V a.c. | 3 | 3 |
| | 125NHG1BI | 1 | 125 | 500 V a.c. | 3 | 3 |
| | 160NHG1BI | 1 | 160 | 500 V a.c. | 3 | 3 |
| | 200NHG1BI | 1 | 200 | 500 V a.c. | 3 | 3 |
| 1318526, 1318533 and 1318548 | 224NHG1BI | 1 | 224 | 500 V a.c. | 3 | 3 |
| | 250NHG1BI | 1 | 250 | 500 V a.c. | 3 | 3 |
| 1318526, 1318533 and 1318548 | 250NHG2BI | 2 | 250 | 500 V a.c. | 3 | 3 |
| | 300NHG2BI | 2 | 300 | 500 V a.c. | 3 | 3 |
| 1318533 and 1318548 | 315NHG2BI | 2 | 315 | 500 V a.c. | 3 | 3 |
| 1318533 | 355NHG2BI | 2 | 355 | 500 V a.c. | 3 | 3 |
| | 400NHG2BI | 2 | 400 | 500 V a.c. | 3 | 3 |

Compatible Eaton's Bussmann series Fuse links

British Standard fuse links suitable for QSA BS switch-disconnector

BAO, 35 to 63 A, 500 V a.c. (gG and gM)



| QSA BS Switch-Disconnectors Article number | Fuse links Part number | BS Ref | Rated current (Amps) | Rated voltage | Fixing centres | Pack qty | MOQ |
|---|---------------------------|-----------|----------------------------|------------------|-------------------|-------------|-----|
| 1318011, 1320200, 1320202, 1320204 and 1320206 | BAO35 | A3 | 35 | 500 V a.c. | 73.5 mm | 10 | 10 |
| | BAO40 | A3 | 40 | 500 V a.c. | 73.5 mm | 10 | 10 |
| | BAO50 | A3 | 50 | 500 V a.c. | 73.5 mm | 10 | 10 |
| 1318011, 1320202 and 1320206 | BAO63 | A3 | 63 | 500 V a.c. | 73.5 mm | 10 | 10 |
| | BAO63M80 | A3 | 63M80 | 500 V a.c. | 73.5 mm | 10 | 10 |
| | BAO63M100 | A3 | 63M100 | 500 V a.c. | 73.5 mm | 10 | 10 |

[Data sheet 4112](#)

TIS, 35 to 63 A, 660-690 V a.c. and 460 V d.c. (gG and gM)



| QSA BS Switch-Disconnectors Article number | Fuse links Part number | BS Ref | Rated current (Amps) | Rated voltage | Fixing centres | Pack qty | MOQ |
|---|---------------------------|--------|----------------------------|-----------------------------|-------------------|-------------|-----|
| 1318011, 1320200, 1320202, 1320204 and 1320206 | TIS35 | A3 | 35 | 660-690 V a.c. / 460 V d.c. | 73 mm | 10 | 10 |
| | TIS40 | A3 | 40 | 660-690 V a.c. / 460 V d.c. | 73 mm | 10 | 10 |
| | TIS50 | A3 | 50 | 660-690 V a.c. / 460 V d.c. | 73 mm | 10 | 10 |
| 1318011, 1320202 and 1320206 | TIS63 | A3 | 63 | 660-690 V a.c. / 460 V d.c. | 73 mm | 10 | 10 |
| | TIS63M80 | A3 | 63M80 | 660-690 V a.c. / 460 V d.c. | 73 mm | 10 | 10 |
| | TIS63M100 | A3 | 63M100 | 660-690 V a.c. / 460 V d.c. | 73 mm | 10 | 10 |

[Data sheet 10020](#)

CEO, 32 to 100 A, 500 V a.c. (gG) and 415 V a.c.(gM)



| QSA BS Switch-Disconnectors Article number | Fuse links Part number | BS Ref | Rated current (Amps) | Rated voltage | Fixing centres | Pack qty | MOQ |
|--|---------------------------|-----------|----------------------------|------------------|-------------------|-------------|-----|
| 1318016 | CEO32 | A4 | 32 | 500 V a.c. | 94 mm | 10 | 10 |
| | CEO40 | A4 | 40 | 500 V a.c. | 94 mm | 10 | 10 |
| | CEO50 | A4 | 50 | 500 V a.c. | 94 mm | 10 | 10 |
| | CEO63 | A4 | 63 | 500 V a.c. | 94 mm | 10 | 10 |
| | CEO80 | A4 | 80 | 500 V a.c. | 94 mm | 10 | 10 |
| | CEO100 | A4 | 100 | 500 V a.c. | 94 mm | 10 | 10 |
| | CEO100M125 | A4 | 100M125 | 415 V a.c. | 94 mm | 10 | 10 |
| | CEO100M160 | A4 | 100M160 | 415 V a.c. | 94 mm | 10 | 10 |
| | CEO100M200 | A4 | 100M200 | 415 V a.c. | 94 mm | 10 | 10 |

[Data sheet 4115](#)

TCP, 32 to 100 A, 660-690 V a.c. and 350-460 V d.c. (gG); 660-690 V a.c. and 350 V d.c. (gM)



| QSA BS Switch-Disconnectors Article number | Fuse links Part number | BS Ref | Rated current (Amps) | Rated voltage | Fixing centres | Pack qty | MOQ |
|--|---------------------------|--------|----------------------------|-----------------------------|-------------------|-------------|-----|
| 1318020 | TCP32 | A4 | 32 | 660-690 V a.c. / 460 V d.c. | 93.7 mm | 10 | 10 |
| | TCP40 | A4 | 40 | 660-690 V a.c. / 460 V d.c. | 93.7 mm | 10 | 10 |
| | TCP50 | A4 | 50 | 660-690 V a.c. / 460 V d.c. | 93.7 mm | 10 | 10 |
| | TCP63 | A4 | 63 | 660-690 V a.c. / 460 V d.c. | 93.7 mm | 10 | 10 |
| | TCP80 | A4 | 80 | 660-690 V a.c. / 350 V d.c. | 93.7 mm | 10 | 10 |
| | TCP100 | A4 | 100 | 660-690 V a.c. / 350 V d.c. | 93.7 mm | 10 | 10 |
| | TCP100M125 | A4 | 100M125 | 660-690 V a.c. / 350 V d.c. | 93.7 mm | 10 | 10 |
| | TCP100M160 | A4 | 100M160 | 660-690 V a.c. / 350 V d.c. | 93.7 mm | 10 | 10 |
| | TCP100M200 | A4 | 100M200 | 660-690 V a.c. / 350 V d.c. | 93.7 mm | 10 | 10 |

[Data sheet 10020](#)

Fused switch-disconnectors, 40 A to 800 A, 690 V a.c.

QSA Fused switch-disconnector

Compatible Eaton's Bussmann series Fuse links

British Standard fuse links suitable for QSA BS switch-disconnector

CD, 80 and 100 A, 500 V a.c. (gG) and 415 V a.c. (gM)



| QSA BS Switch-Disconnectors Article number | Fuse links Part number | BS Ref | Rated current (Amps) | Rated voltage | Fixing centres | Pack qty | MOQ |
|--|---------------------------|-----------|----------------------------|------------------|-------------------|-------------|-----|
| 1318020, 1318023, 1319065, 1319074, 1319095 and 1319103 | CD80 | B1 | 80 | 500 V a.c. | 111 mm | 10 | 10 |
| | CD100 | B1 | 100 | 500 V a.c. | 111 mm | 10 | 10 |
| | CD100M125 | B1 | 100M125 | 415 V a.c. | 111 mm | 10 | 10 |
| | CD100M160 | B1 | 100M160 | 415 V a.c. | 111 mm | 10 | 10 |
| | CD100M200 | B1 | 100M200 | 415 V a.c. | 111 mm | 10 | 10 |

[Data sheet 4116](#)

TC, 80 and 100 A, 660-690 V a.c. and 350 V d.c. (gG and gM)



| QSA BS Switch-Disconnectors Article number | Fuse links Part number | BS Ref | Rated current (Amps) | Rated voltage | Fixing centres | Pack qty | MOQ |
|--|---------------------------|--------|----------------------------|-----------------------------|-------------------|-------------|-----|
| 1318020, 1318023, 1319065, 1319074, 1319095 and 1319103 | TC80 | B1 | 80 | 660-690 V a.c. / 350 V d.c. | 111 mm | 10 | 10 |
| | TC100 | B1 | 100 | 660-690 V a.c. / 350 V d.c. | 111 mm | 10 | 10 |
| | TC100M125 | B1 | 100M125 | 660-690 V a.c. / 350 V d.c. | 111 mm | 10 | 10 |
| | TC100M160 | B1 | 100M160 | 660-690 V a.c. / 350 V d.c. | 111 mm | 10 | 10 |
| | TC100M200 | B1 | 100M200 | 660-690 V a.c. / 350 V d.c. | 111 mm | 10 | 10 |

[Data sheet 10078](#)

DD, 125 to 200 A, 415 V a.c. (gG and gM)



| QSA BS Switch-Disconnectors Article number | Fuse links Part number | BS Ref | Rated current (Amps) | Rated voltage | Fixing centres | Pack qty | MOQ |
|--|---------------------------|--------|----------------------------|------------------|-------------------|-------------|-----|
| 1318020, 1318023, 1319065, 1319074, 1319095 and 1319103 | DD125 | B2 | 125 | 415 V a.c. | 111 mm | 5 | 5 |
| | DD160 | B2 | 160 | 415 V a.c. | 111 mm | 5 | 5 |
| | DD200 | B2 | 200 | 415 V a.c. | 111 mm | 5 | 5 |
| | DD200M250 | B2 | 200M250 | 415 V a.c. | 111 mm | 5 | 5 |
| | DD200M315 | B2 | 200M315 | 415 V a.c. | 111 mm | 5 | 5 |

[Data sheet 4118](#)

TF, 125 to 200 A, 660-690 V a.c. and 350 V d.c. (gG); 550-660-690 V a.c. and 460 V d.c. (gM)



| QSA BS Switch-Disconnectors Article number | Fuse links Part number | BS Ref | Rated current (Amps) | Rated voltage | Fixing centres | Pack qty | MOQ |
|--|---------------------------|--------|----------------------------|----------------------------|-------------------|-------------|-----|
| 1318020, 1318023, 1319065, 1319074, 1319095 and 1319103 | TF125 | B2 | 125 | 660-690 V a.c., 350 V d.c. | 111 mm | 10 | 10 |
| | TF160 | B2 | 160 | 660-690 V a.c., 350 V d.c. | 111 mm | 10 | 10 |
| | TF200 | B2 | 200 | 660-690 V a.c., 350 V d.c. | 111 mm | 10 | 10 |
| | TF200M250 | B2 | 200M250 | 660-690 V a.c., 460 V d.c. | 111 mm | 10 | 10 |
| | TF200M315 | B2 | 200M315 | 550 V a.c. | 111 mm | 10 | 10 |

[Data sheet 10078](#)

ED, 250 to 400 A, 415 V a.c. (gG and gM)



| QSA BS Switch-Disconnectors Article number | Fuse links Part number | BS Ref | Rated current (Amps) | Rated voltage | Fixing centres | Pack qty | MOQ |
|--|---------------------------|--------|----------------------------|------------------|-------------------|-------------|-----|
| 1319065, 1319074, 1319095 and 1319103 | ED250 | B3/B4 | 250 | 415 V a.c. | 111 mm | 1 | 1 |
| | ED315 | B3/B4 | 315 | 415 V a.c. | 111 mm | 1 | 1 |
| | ED355 | B3/B4 | 355 | 415 V a.c. | 111 mm | 1 | 1 |
| | ED400 | B3/B4 | 400 | 415 V a.c. | 111 mm | 1 | 1 |
| | ED315M400 | B3/B4 | 315M400 | 415 V a.c. | 111 mm | 1 | 1 |
| | ED400M500 | B3/B4 | 400M500 | 415 V a.c. | 111 mm | 1 | 1 |

[Data sheet 4119](#)

Compatible Eaton's Bussmann series Fuse links

British Standard fuse links suitable for QSA BS switch-disconnector

TKF, 250 and 315 A, 660-690 V a.c. and 460 V d.c. (gG and gM)



| QSA BS Switch-Disconnectors Article number | Fuse links Part number | BS Ref | Rated current (Amps) | Rated voltage | Fixing centres | Pack qty | MOQ |
|--|---------------------------|--------|----------------------------|----------------------------|-------------------|-------------|-----|
| 1319065, 1319074, 1319095 and 1319103 | TKF250 | B3 | 250 | 660-690 V a.c./ 460 V d.c. | 111 mm | 5 | 5 |
| | TKF315 | B3 | 315 | 660-690 V a.c./ 460 V d.c. | 111 mm | 5 | 5 |
| | TKF315M355 | B3 | 315M355 | 660-690 V a.c./ 460 V d.c. | 111 mm | 5 | 5 |

[Data sheet 10078](#)

TMF, 355 and 400 A, 660-690 V a.c. and 460 V d.c. (gG and gM)



| QSA BS Switch-Disconnectors Article number | Fuse links Part number | BS Ref | Rated current (Amps) | Rated voltage | Fixing centres | Pack qty | MOQ |
|--|---------------------------|--------|----------------------------|-----------------------------|-------------------|-------------|-----|
| 1319065, 1319074, 1319095 and 1319103 | TMF355 | B4 | 355 | 660-690 V a.c. / 460 V d.c. | 111 mm | 1 | 1 |
| | TMF400 | B4 | 400 | 660-690 V a.c. / 460 V d.c. | 111 mm | 1 | 1 |
| | TMF400M450 | B4 | 400M450 | 660-690 V a.c. / 460 V d.c. | 111 mm | 1 | 1 |

[Data sheet 10078](#)

EF, 355 and 400 A, 415 V a.c. (gG) and 550 V a.c. (gM)



| QSA BS Switch-Disconnectors Article number | Fuse links Part number | BS Ref | Rated current (Amps) | Rated voltage | Fixing centres | Pack qty | MOQ |
|--|---------------------------|--------|----------------------------|---------------|-------------------|-------------|-----|
| 1318537, 1318544 and 1319175 | EF355 | C1 | 355 | 415 V a.c. | 184 mm | 1 | 1 |
| | EF400 | C1 | 400 | 415 V a.c. | 184 mm | 1 | 1 |
| | EF400M500 | C1 | 400M500 | 550 V a.c. | 184 mm | 1 | 1 |

[Data sheet 4120](#)

FF, 450 to 630 A, 690 V a.c. and 400 V d.c. (gG)



| QSA BS Switch-Disconnectors Article number | Fuse links Part number | Rated current (Amps) | Rated voltage | Fixing centres | Pack qty | MOQ |
|--|---------------------------|----------------------------|----------------------|-------------------|-------------|-----|
| 1318537, 1318544 and 1319175 | FF450 | 450 | 690 V a.c./400V d.c. | 185 mm | 1 | 1 |
| | FF500 | 500 | 690 V a.c./400V d.c. | 185 mm | 1 | 1 |
| | FF560 | 560 | 690 V a.c./400V d.c. | 185 mm | 1 | 1 |
| | FF630 | 630 | 690 V a.c./400V d.c. | 185 mm | 1 | 1 |

[Data sheet 4102](#)

TTM, 450 to 630 A, 660-690 V a.c. and 450 V d.c. (gG and gM)

| QSA BS Switch-Disconnectors Article number | Fuse links Part number | Rated current (Amps) | Rated voltage | Fixing centres | Pack qty | MOQ |
|--|---------------------------|----------------------------|-----------------------------|-------------------|-------------|-----|
| 1318537, 1318544 and 1319175 | TTM450 | 450 | 660-690 V a.c. / 450 V d.c. | 133 mm | 1 | 1 |
| | TTM500 | 500 | 660-690 V a.c. / 450 V d.c. | 133 mm | 1 | 1 |
| | TTM560 | 560 | 660-690 V a.c. / 450 V d.c. | 133 mm | 1 | 1 |
| | TTM630 | 630 | 660-690 V a.c. / 450 V d.c. | 133 mm | 1 | 1 |
| | TTM630M670 | 630M670 | 660-690 V a.c. / 450 V d.c. | 133 mm | 1 | 1 |

[Data sheet 10078](#)

GF, 710 and 800 A, 550 V a.c. and 250 V d.c. (gG)

| QSA BS Switch-Disconnectors Article number | Fuse links Part number | BS Ref | Rated current (Amps) | Rated voltage | Fixing centres | Pack qty | MOQ |
|--|---------------------------|--------|----------------------------|-----------------------|-------------------|-------------|-----|
| 1318537, 1318544 and 1319175 | GF710 | C3 | 710 | 550 V a.c./ 250V d.c. | 185 mm | 1 | 1 |
| | GF800 | C3 | 800 | 550 V a.c./ 250V d.c. | 185 mm | 1 | 1 |

[Data sheet 4103](#)

All-around service for your machine control systems

Powering Business: For Eaton, this promise means more than just providing reliable products and technologies. It means using our support expertise and services to provide you with an engineering solution that is perfectly tailored to your own specific needs. Or, put more simply, turnkey solutions designed to drive your success.

Engineering for your machine control systems

From the initial idea to bringing your application to life – Eaton will accompany you through every step involved in developing your machine, providing unparalleled support all throughout. The Lean Solution expert's knowhow, combined with the innovation of Eaton products, ensures that you will be able to take advantage of our engineering edge to establish a solid competitive advantage on the market.

Eaton will not only help you select products, but will also provide advice concerning your machine's electrical and hydraulic design and be there for you every step of the way while you implement your applications and programs and commission your system. By combining these services with Eaton components, you can rest assured knowing that your needs will be fully met.

Enabling businesses to successfully export their products to North America

Our long business partnership with SAE Schaltanlagenbau Erfurt, which has the required certifications for building control panels for export to North America, enables us to provide our customers with solutions that are ideal for use in that region. In addition to our products and to the production of control panels built in accordance with UL 508A and NFPA 79, Eaton's and SAE's range of services includes workshops designed to provide the special knowhow required to successfully export electrical equipment to North America.



Fused switch-disconnector 25 A, 35 A and 50 A, 400 V a.c.

Pasco Fused switch-disconnector, 25 A, 35 A and 50 A, 400 V a.c.



Description

The Pasco fused switch-disconnector provide the ultimate safety in electrical protection for equipment and personnel. The 'D' Type low voltage fuse links fitted in the Pasco unit protect the equipment against overcurrents and the switch enables safe disconnection.

Standards/Approvals

- IEC 60947-3
- KEMA-KEUR

Technical data

- Voltage: 400 V ac.
- Current: 25 A, 35 A and 50 A
- 1-pole, 2-pole, 3-poles

Recommended fuse links

Eaton's Bussmann series D Type fuse links

Features

- Enclosure made of non-tracking synthetic material
- Suitable for horizontal DIN-Rail mounting
- Fuse-base contact is not live once the 'D' Type fuse link has been removed
- Semi-independent manual operating mechanism
- Terminals protected against accidental touch
- Fuse rating guide plate included
- Blown fuse LED indicator light
- Utilisation category: AC-21 A and AC-22 B

Fused switch-disconnector 25 A, 35 A and 50 A, 400 V a.c.

Pasco Fused switch-disconnector and Paco fuse holder

Pasco and Paco range overview

| | Voltage (V a.c.) | 25 A | 35 A | 50 A |
|---------------------------------|------------------|------|------|------|
| Pasco fused switch-disconnector | 230/400 | ✓ | ✓ | ✓ |
| Paco fuse holder | 230 | ✓ | | ✓ |

Pasco fused switch-disconnector - Type LPC - 25 A , 35 A and 50 A, 230 and 400 V a.c.



1713612 1713616



1713618

| Current (A) | Voltage (V a.c.) | Number of poles | Width (mm) | Part number | Article number | Pack qty | Compatible Eaton's Bussmann series D Type fuse links |
|-------------|------------------|-----------------|------------|---------------|-------------------------|----------|--|
| 25 | 230 | 1P + Neutral | 36 | LPC25-16AFUSE | 1713610 | 1 | 16A fuse already included with unit |
| 25 | 230 | 1P + Neutral | 36 | LPC25 | 1713612 | 1 | DII fuse links |
| 50 | 230 | 1P + Neutral | 36 | LPC50 | 1713613 | 1 | DIII fuse links |
| 25 | 230 | 2P + 2 Neutral | 72 | LPC25/2 | 1713616 | 1 | DII fuse links |
| 25 | 400 | 3P + Neutral | 108 | LPC25/3 | 1713617 | 1 | DII fuse links |
| 35 | 400 | 3P + Neutral | 108 | LPC35/3 | 1713618 | 1 | DIII fuse links |

Paco fuse holder - Type PHM - 25 A and 50 A, 230 V a.c.



1713614

| Current (A) | Voltage (V a.c.) | Number of poles | Width (mm) | Part number | Article number | Pack qty | Compatible Eaton's Bussmann series D Type fuse links |
|-------------|------------------|-----------------|------------|---------------|-------------------------|----------|--|
| 25 | 230 | 1P | 36 | PHM25-16AFUSE | 1713611 | 1 | 16A fuse already included with unit |
| 25 | 230 | 1P | 36 | PHM25 | 1713614 | 1 | DII fuse links |
| 50 | 230 | 1P | 36 | PHM50 | 1713615 | 1 | DIII fuse links |

See compatible Eaton's Bussmann series 'D' Type fuse links

Accessories

Fuse rating guide plate



1713622

| Current (A) | Fuse link size | Colour | Part number | Article number | Pack qty |
|-------------|----------------|--------|---------------|-------------------------|----------|
| 6 | 0 | Green | LPC6-ADAPTER | 1713622 | 10 |
| 10 | 0 | Red | LPC10-ADAPTER | 1713623 | 10 |
| 16 | 1 | Grey | LPC16-ADAPTER | 1713624 | 10 |
| 20 | 1 | Blue | LPC20-ADAPTER | 1713625 | 10 |
| 25 | 1 | Yellow | LPC25-ADAPTER | 1713626 | 10 |
| 35 | 1 | Black | LPC35-ADAPTER | 1713627 | 10 |
| 50 | 2 | White | LPC50-ADAPTER | 1713628 | 10 |

Tool for inserting fuse rating guide plate



1713629

| Part number | Article number | Pack qty |
|----------------|-------------------------|----------|
| LPC-ADAPTERKEY | 1713629 | 1 |

Accessories

Dummy fuse insert for maintenance work



1713607

| Part number | Article number | Pack qty |
|---------------|----------------|----------|
| LPC-PHM-DUMMY | 1713607 | 1 |

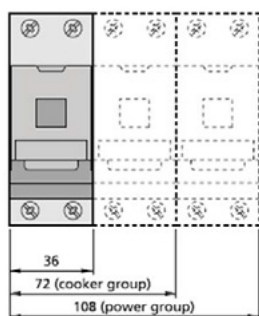
Compatible Eaton's Bussmann series Fuse links

'D' Type low voltage fuse links suitable for Pasco fused switch-disconnector

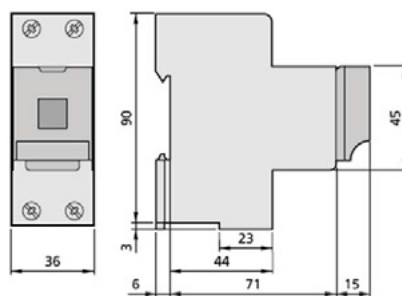
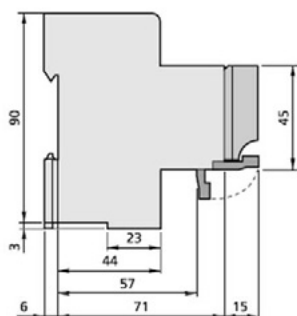


| Pasco/Paco | Compatible 'D' Type Fuse links | | | | | | |
|---|--------------------------------|-------------|------|-------------|----------------|------------------|----------|
| | Article number | Part number | Size | Type | Current (Amps) | Voltage (V a.c.) | Pack qty |
| Pasco LPC25 : 1713612, 1713616 and 1713617 | | 6D27 | DII | Time-delay | 6 | 500 | 25 |
| | | 10D27 | DII | Time-delay | 10 | 500 | 25 |
| | | 16D27 | DII | Time-delay | 16 | 500 | 25 |
| | | 20D27 | DII | Time-delay | 20 | 500 | 25 |
| | | 25D27 | DII | Time-delay | 25 | 500 | 25 |
| | | 6D27Q | DII | Fast acting | 6 | 500 | 25 |
| | | 10D27Q | DII | Fast acting | 10 | 500 | 25 |
| | | 16D27Q | DII | Fast acting | 16 | 500 | 25 |
| | | 20D27Q | DII | Fast acting | 20 | 500 | 25 |
| | | 25D27Q | DII | Fast acting | 25 | 500 | 25 |
| | | 6D27R | DII | Ultra rapid | 6 | 500 | 25 |
| | | 10D27R | DII | Ultra rapid | 10 | 500 | 25 |
| | | 16D27R | DII | Ultra rapid | 16 | 500 | 25 |
| | | 20D27R | DII | Ultra rapid | 20 | 500 | 25 |
| | | 25D27R | DII | Ultra rapid | 25 | 500 | 25 |
| Pasco LPC35 1713618 | | 35D33 | DIII | Time-delay | 35 | 500 | 25 |
| | | 35D33Q | DIII | Fast acting | 35 | 500 | 25 |
| | | 35D33R | DIII | Ultra rapid | 35 | 500 | 25 |
| | | 35D33 | DIII | Time-delay | 35 | 500 | 25 |
| | | 40D33 | DIII | Time-delay | 40 | 500 | 25 |
| Pasco LPC50 1713613 | | 50D33 | DIII | Time-delay | 50 | 500 | 25 |
| | | 35D33Q | DIII | Fast acting | 35 | 500 | 25 |
| | | 40D33Q | DIII | Fast acting | 40 | 500 | 25 |
| Paco PHM50: 1713615 | | 50D33Q | DIII | Fast acting | 50 | 500 | 25 |
| | | 35D33R | DIII | Ultra rapid | 35 | 500 | 25 |
| | | 40D33R | DIII | Ultra rapid | 40 | 500 | 25 |
| Data sheet 4124 | | 40D33R | DIII | Ultra rapid | 40 | 500 | 25 |
| | | 50D33R | DIII | Ultra rapid | 50 | 500 | 25 |

Outline drawings



Pasco, Type LPC - mm



Paco, Type HPM - mm

Fused switch-disconnector 25 A, 35 A and 50 A, 400 V a.c.

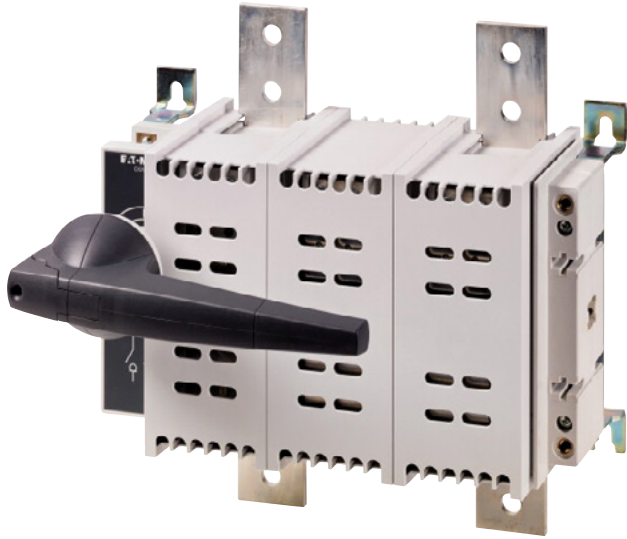
Pasco Fused switch-disconnector and Paco fuse holder

Technical data

| | | Pasco LPC25 | Pasco LPC35/50 | Paco PHM25 | Paco PHM50 |
|---|----------------|---|------------------------------|--------------------------|--------------------------|
| Conventional free air thermal current | I_{th} | 25 A | 50 A 1P+N, 35 A 3P+N | 25 A | 50 A |
| Conventional enclosed thermal current | I_{the} 35°C | 25 A | 50 A 1P+N, 35 A 3P+N | 25 A | 50 A |
| Rated uninterrupted current | I_u | 25 A | 50 A 1P+N, 35 A 3P+N | 25 A | 50 A |
| Rated operational voltage | U_e | 230 V LPC25 230 V LPC25/2 400 V LPC25/3 | 230 V LPC50 400 V LPC35/3 | 230 V | 230 V |
| Rated insulation voltage | U_i | 400 V | 400 V | 230 V | 230 V |
| Rated impulse withstand voltage | U_{imp} | 6 kV | 6 kV | 6 kV | 6 kV |
| Rated frequency | | 50 / 60 Hz | 50 / 60 Hz | 50 / 60 Hz | 50 / 60 Hz |
| Storage temperature | | -25...+80°C | -25... +80°C | -25...+80°C | -25... +80°C |
| Max altitude (without derating) | | 2000 m | 2000 m | 2000 m | 2000 m |
| Rated operational current | | | | | |
| AC-21A | | | | | |
| At $U_e = 230$ V AC-21A | I_e | 25 A | 50 A LPC50 35 A LPC35/3 | - | - |
| AC-22A | | | | | |
| At $U_e = 230$ V AC-22A | I_e | 25 A LPC25, LPC25/2 | 50 A LPC50 | - | - |
| At $U_e = 400$ V AC-22A | I_e | 50 A LPC25/3 | 35 A LPC35/3 | - | - |
| AC-21B | | | | | |
| At $U_e = 230$ V AC-21B | I_e | - | - | 25 A | 50 A |
| AC-22B | | | | | |
| At $U_e = 400$ V AC-22B | I_e | - | 35 A 3P+N | - | - |
| Rated conditional short-circuit current | I_p | 50 kA | 35 kA | 50 kA | 35 kA |
| Cut-off current | max. | 4.8 kA | 6.7 kA | 4.8 kA | 6.7 kA |
| Joule integral | max. | 4 kA ² s | 15 kA ² s | 4 kA ² s | 15 kA ² s |
| Fuse-link max | I_n | 25 A | 50 A LPC50 35 A LPC35/3 | 25 A | 50 A |
| Fuse link Type | | DII | DIII | DII | DIII |
| Power dissipation per pole at I_{th} | | 1.7 W | 2.4 W (35 A), 3.1 W (50 A) | 0.5 W | 1.9 W |
| Maximum fuse watts loss | | 3 W | 5 W (1P+N), 4.1 W (3P+N) | 3 W | 5 W |
| Durability - maximum cycles (on + off) | | 10.000 | 10.000 | 2.000 | 2.000 |
| Protection class | | IP20 | IP20 | IP20 | IP20 |
| Terminal capacities | | | | | |
| Cross section 1 cable | | | | | |
| Solid | | 1.5 - 6 mm ² | 1.5 - 6 mm ² | 1.5 - 6 mm ² | 1.5 - 6 mm ² |
| Flexible | | 1.5 - 16 mm ² | 1.5 - 16 mm ² | 1.5 - 16 mm ² | 1.5 - 16 mm ² |
| Cross section 2 cables | | | | | |
| Solid | | 1.5 - 4 mm ² | 1.5 - 4 mm ² | 1.5 - 4 mm ² | 1.5 - 4 mm ² |
| Flexible | | 1.5 - 4 mm ² | 1.5 - 4 mm ² | 1.5 - 4 mm ² | 1.5 - 4 mm ² |
| Tightening torque | | 2 Nm | 2 Nm | 2 Nm | 2 Nm |
| Pollution degree | | II/2 | II/2 | II/2 | II/2 |
| Standards | | EN-IEC 60947-3 | | | |
| Approvals | | CE, KEMA-KEUR | | | |

Switch-disconnectors for DC applications, 125 A to 1250 A, 800/1000 V d.c.

DDC Dumeco, 125 A to 1250 A, 800/1000 V d.c.



Description

The Dumeco DDC switch-disconnectors are specifically designed for applications such as residential, light commercial sites and DC battery storage.

Standards/Approvals

- IEC 60947-3
- CE
- RoHS
- CCC

Technical data

- Voltage frame size 2
 - 125 A to 200 A: 800 V.d.c
 - 250 A to 630 A: 1000 V.d.c
- Voltage frame size 3: 1000 V d.c.
- Current: 125 A to 1250 A

Features

- Operator independent switch
- Specially designed self-cleaning roller contacts
- Bi-directional pole connection gives installation flexibility (non polarised)
- Suitable for rear/base plate mounting
- Operational shaft lengths up to 600 mm
- Protection degree up to IP65
- Door interlocking in OFF position by using D-Type handles
- Padlockable handles in OFF position, defeatable in ON position

Switch-disconnectors for DC applications, 125 A to 1250 A, 800/1000 V d.c.

DDC Dumeco

DDC Dumeco, 125 A to 1250 A, 800/ 1000 V d.c.

DDC range overview

| | 125 A | 160 A | 200 A | 250 A | 400 A | 630 A | 800 A | 1000 A | 1250 A |
|--|-------|-------|-------|-------|-------|-------|-------|--------|--------|
| Switch-disconnectors with pre-mounted grey handle | ✓ | ✓ | ✓ | ✓ | ✓ | ✓ | ✓ | ✓ | ✓ |
| Switch-disconnectors without shaft and handle | ✓ | ✓ | ✓ | ✓ | ✓ | ✓ | ✓ | ✓ | ✓ |
| Switch-disconnectors with 300 mm shaft and grey handle | ✓ | ✓ | ✓ | ✓ | ✓ | ✓ | ✓ | ✓ | ✓ |

DDC with pre-mounted grey handle



| Current rating | Voltage rating | Number of poles | Frame size | Part number | Article number | Pack qty |
|----------------|----------------|-----------------|------------|-------------|-------------------------|----------|
| 125 A | 800 V d.c. | 2P | 1 | DDC-125/2 | 6098930 | 1 |
| 160 A | 800 V d.c. | 2P | 1 | DDC-160/2 | 6098933 | 1 |
| 200 A | 800 V d.c. | 2P | 1 | DDC-200/2 | 6098936 | 1 |
| 250 A | 1000 V d.c. | 2P | 2 | DDC-250/2 | 6098940 | 1 |
| 400 A | 1000 V d.c. | 2P | 2 | DDC-400/2 | 6098943 | 1 |
| 630 A | 1000 V d.c. | 2P | 2 | DDC-630/2 | 6098946 | 1 |
| 800 A | 1000 V d.c. | 2P | 3 | DDC-800/2 | 6098950 | 1 |
| 1000 A | 1000 V d.c. | 2P | 3 | DDC-1000/2 | 6098953 | 1 |
| 1250 A | 1000 V d.c. | 2P | 3 | DDC-1250/2 | 6098956 | 1 |

DDC without shaft and handle



| Current rating | Voltage rating | Number of poles | Frame size | Part number | Article number | Pack qty |
|----------------|----------------|-----------------|------------|---------------|-------------------------|----------|
| 125 A | 800 V d.c. | 2P | 1 | DDC-125/2-SK | 6098931 | 1 |
| 160 A | 800 V d.c. | 2P | 1 | DDC-160/2-SK | 6098934 | 1 |
| 200 A | 800 V d.c. | 2P | 1 | DDC-200/2-SK | 6098937 | 1 |
| 250 A | 1000 V d.c. | 2P | 2 | DDC-250/2-SK | 6098941 | 1 |
| 400 A | 1000 V d.c. | 2P | 2 | DDC-400/2-SK | 6098944 | 1 |
| 630 A | 1000 V d.c. | 2P | 2 | DDC-630/2-SK | 6098947 | 1 |
| 800 A | 1000 V d.c. | 2P | 3 | DDC-800/2-SK | 6098951 | 1 |
| 1000 A | 1000 V d.c. | 2P | 3 | DDC-1000/2-SK | 6098954 | 1 |
| 1250 A | 1000 V d.c. | 2P | 3 | DDC-1250/2-SK | 6098957 | 1 |

DDC with 300 mm shaft and D/P padlockable grey handle with interlock function



6098958

| Current rating | Voltage rating | Number of poles | Frame size | Part number | Article number | Pack qty |
|----------------|----------------|-----------------|------------|-------------------|-------------------------|----------|
| 125 A | 800 V d.c. | 2P | 1 | DDC-125/2/M4/P-G | 6098932 | 1 |
| 160 A | 800 V d.c. | 2P | 1 | DDC-160/2/M4/P-G | 6098935 | 1 |
| 200 A | 800 V d.c. | 2P | 1 | DDC-200/2/M4/P-G | 6098938 | 1 |
| 250 A | 1000 V d.c. | 2P | 2 | DDC-250/2/M4/P-G | 6098942 | 1 |
| 400 A | 1000 V d.c. | 2P | 2 | DDC-400/2/M4/P-G | 6098945 | 1 |
| 630 A | 1000 V d.c. | 2P | 2 | DDC-630/2/M4/P-G | 6098948 | 1 |
| 800 A | 1000 V d.c. | 2P | 3 | DDC-800/2/M4/P-G | 6098952 | 1 |
| 1000 A | 1000 V d.c. | 2P | 3 | DDC-1000/2/M4/P-G | 6098955 | 1 |
| 1250 A | 1000 V d.c. | 2P | 3 | DDC-1250/2/M4/P-G | 6098958 | 1 |

Handles and shafts

Handles mounting types overview

| DDC Type | Frame size | K Type handles | A Type handles | | D/P Type handles | | D/C Type handles | |
|--|------------|----------------|----------------|-----|------------------|-------------|------------------|-------------|
| | | | Grey | Red | Grey | Red/ Yellow | Grey | Red/ Yellow |
| DDC without pre-mounted grey handle DDC-2/SK | 2 | K3 | ✓ | ✓ | ✓ | ✓ | ✓ | ✓ |
| | 3 | K4 | ✓ | ✓ | ✓ | ✓ | ✓ | ✓ |

A Type: Handle mounted directly on switch

D/P Type: Handle padlockable for mounting on hinged door, with interlock function

D/C Type: Handle with cylinder lock for mounting on hinged door, supplied with two keys, with interlock function

A Type handles

Mounted directly on switch suitable for Dumeco DDC-2/SK Type



K3 A handle
1818202



K4 A handle
1818010



Shafts

| DDC | Frame size | A Type handles | | Metal shafts | | Pack qty | |
|------------|------------|-----------------|-----------------|--------------|------------------------|------------------------|--------|
| | | Handle colours | | Shaft mm□ | Length of shafts | | |
| | | Grey | Red | | 300 mm | | 600 mm |
| DDC-250/2 | 2 | K3AG 1818202 | K3AR 1818111 | 10 x 10 | 4K10300MMK3 1319319 | 4K10600MMK3 1319322 | 1 |
| DDC-400/2 | 2 | | | | | | |
| DDC-630/2 | 2 | | | | | | |
| DDC-800/2 | 3 | K4AG 1818203 | K4AR 1818010 | 12 x 12 | 4K12300MMK4 1319326 | 4K12600MMK4 1319329 | 1 |
| DDC-1000/2 | 3 | | | | | | |
| DDC-1250/2 | 3 | | | | | | |

Switch-disconnectors for DC applications, 125 A to 1250 A, 800/1000 V d.c.

DDC Dumeco

Handles and shafts

D/P Type handles

Padlockable for mounting on hinged door, with interlock function, suitable for Dumeco DDC-2/SK Type



K3 D/P handle
1818069



K4 D/P handle
1818051



Shafts

| DDC | Frame size | D/P Type handles | | Shaft mm□ | Length of shafts | | Pack qty |
|------------|------------|-------------------|-------------------|-----------|------------------------|------------------------|----------|
| | | Handle colours | | | 300 mm | 600 mm | |
| | | Grey | Red/ Yellow | | | | |
| DDC-250/2 | 2 | | | 10 x 10 | 4K10300MMK3 1319319 | 4K10600MMK3 1319322 | 1 |
| DDC-400/2 | 2 | K3DG/P 1818069 | K3DR/P 1818096 | | | | |
| DDC-630/2 | 2 | | | | | | |
| DDC-800/2 | 3 | | | 12 x 12 | 4K12300MMK4 1319326 | 4K12600MMK4 1319329 | 1 |
| DDC-1000/2 | 3 | K4DG/P 1818052 | K4DR/P 1818051 | | | | |
| DDC-1250/2 | 3 | | | | | | |

D/C Type handles

With cylinder lock for mounting on hinged door supplied with two keys, with interlock function, suitable for Dumeco DDC-2/SK Type



K3 D/C handle
1818097



K4 D/C handle
1818055



Shafts

| DDC | Frame size | D/C Type handles | | Shaft mm□ | Lengths of shafts | | Pack qty |
|------------|------------|-------------------|-------------------|-----------|------------------------|------------------------|----------|
| | | Handle colours | | | 300 mm | 600 mm | |
| | | Grey | Red/ Yellow | | | | |
| DDC-250/2 | 2 | | | 10 x 10 | 4K10300MMK3 1319319 | 4K10600MMK3 1319322 | 1 |
| DDC-400/2 | 2 | K3DG/C 1818070 | K3DR/C 1818097 | | | | |
| DDC-630/2 | 2 | | | | | | |
| DDC-800/2 | 3 | | | 12 x 12 | 4K12300MMK4 1319326 | 4K12600MMK4 1319329 | 1 |
| DDC-1000/2 | 3 | K4DG/C 1818055 | K4DR/C 1818054 | | | | |
| DDC-1250/2 | 3 | | | | | | |

Accessories

Coupling for extending shaft length for DDC 800 A, 1000 A and 1250 A, frame size 3



6098274

| DDC Type | Part number | Article number | Pack qty |
|--------------|-------------|----------------|----------|
| Frame size 3 | SC4K12/14 | 6098274 | 1 |

Conversion kits for locking the D Type handles in both On and Off position



1818105

| DDC Type | Frame size | Part number | Article number | Pack qty |
|----------|------------|--------------------------|----------------|----------|
| DDC-250 | 2 | | | 1 |
| DDC-400 | 2 | ADAPTORPADLOCK-K3 | 1818105 | 1 |
| DDC-630 | 2 | | | 1 |
| DDC-800 | 3 | | | 1 |
| DDC-1000 | 3 | ADAPTORPADLOCK-K4,K5,K61 | 1818106 | 1 |
| DDC-1250 | 3 | | | 1 |

Multi locking device for accomodating up to 3 additional padlocks



1059849

| DDC | Frame size | Shackle | Part number | Article number | Pack qty |
|-------------------|------------|---------|---------------------|----------------|----------|
| DDC 250 to 630 A | 2 | 9 mm | LOCKMULTIPLIER-K1-6 | 1059849 | 1 |
| DDC 800 to 1250 A | 3 | 9 mm | | | 1 |

Connection kit



1314915

| DDC | Frame size | Bolt size | Part number | Article number | Pack qty |
|-------------------|------------|-------------|-------------|----------------|----------|
| DDC 250 to 630 A | 2 | M10 x 20 mm | KITM10X20 | 1314915 | 1 |
| | | M10 x 30 mm | KITM10X30 | 1314648 | 1 |
| DDC 800 to 1250 A | 3 | M12 x 35 mm | KITM12X35 | 1314857 | 1 |

Terminal covers



1319413

| DDC | Frame size | Bolt size | Part number | Article number | Pack qty |
|-------------------|------------|-----------|---------------|----------------|----------|
| DDC 250 to 630 A | 2 | M10 | QSACOVER1PM10 | 1319413 | 1 |
| DDC 800 to 1250 A | 3 | M12 | QSACOVER1PM12 | 1319415 | 1 |

Auxiliary contact set



6028293

| DDC | Frame size | Mounting | Part number | Article number | Pack qty |
|-------------------|------------|---------------------------------|-------------------|----------------|----------|
| DDC 250 to 630 A | 2 | 2 Auxiliary contacts per switch | AUX1NO+1NC+BOX012 | 6028293 | 1 |
| DDC 800 to 1250 A | 3 | 1 Auxiliary contact per switch | AUX1NO+1NC+BOX3 | 6101137 | 1 |

Switch-disconnectors for DC applications, 125 A to 1250 A, 800/1000 V d.c.

DDC Dumeco

Technical data

DDC 250 A to 1250 A, frame size 1 and 2

| | | Frame size 1 | | | Frame size 2 | | | |
|---------------------------------------|----------------|--------------------------|--------------------------|--------------------------|---------------------|---------------------|-------------------------|-------|
| | | DDC 125 | DDC 160 | DDC 200 | DDC 250 | DDC 400 | DDC 630 | |
| Conventional free air thermal current | I_{th} | 125 A | 160 A | 200 A | 250 A | 400 A | 630 A | |
| Conventional enclosed thermal current | I_{the} 35°C | 125 A | 160 A | 200 A | 250 A | 400 A | 630 A | |
| | | 50°C | 125 A | 160 A | 200 A | 250 A | 400 A | 560 A |
| | | 65°C | 125 A | 160 A | 200 A | 250 A | 380 A | 480 A |
| Rated uninterrupted current | I_u | 125 A | 160 A | 200 A | 250 A | 400 A | 630 A | |
| Rated operational voltage | U_e | 800 V | 800 V | 800 V | 1000 | 1000 | 1000 | |
| Rated insulation voltage | U_i | 1200 V | 1200 V | 1200 V | 1200 V | 1200 V | 1200 V | |
| Rated impulse withstand voltage | U_{imp} | 8 kV | 8 kV | 8 kV | 12 kV | 12 kV | 12 kV | |
| Storage temperature | | -40°C +80°C | -40°C +80°C | -40°C +80°C | -40°C +80°C | -40°C +80°C | -40°C +80°C | |
| Max altitude (without derating) | | ≤ 2000 m | ≤ 2000 m | ≤ 2000 m | ≤ 2000 m | ≤ 2000 m | ≤ 2000 m | |
| Rated operational current | | | | | | | | |
| DC-21B | | | | | | | | |
| At $U_e = 480$ V DC-21B | I_e | 125 A | 160 A | 200 A | 250 A | 400 A | 630 A | |
| At $U_e = 600$ V DC-21B | I_e | 125 A | 160 A | 200 A | 250 A | 400 A | 630 A | |
| At $U_e = 800$ V DC-21B | I_e | 125 A | 160 A | 200 A | 250 A | 400 A | 630 A | |
| At $U_e = 1000$ V DC-21B | I_e | - | - | - | 250 A | 400 A | 630 A | |
| Rated short-time withstand current | I_{cw} | 4 kAs | 4 kAs | 4 kAs | 15 kAs | 15 kAs | 15 kAs | |
| Rated short-circuit making capacity | I_{cm} | 6 kA | 6 kA | 6 kA | 25 kA | 25 kA | 25 kA | |
| Power dissipation per pole | P | 8 W | 12 W | 21 W | 15 W | 39 W | 97 W | |
| Durability - maximum cycles (on+off) | | 10000 | 10000 | 10000 | 10000 | 10000 | 10000 | |
| Pollution degree | | III/3 | III/3 | III/3 | III/3 | III/3 | III/3 | |
| Protection class | | IP20 | IP20 | IP20 | IP20 | IP20 | IP20 | |
| Terminal capacities | | | | | | | | |
| Terminal bolt size | | M8 | M8 | M8 | M10 | M10 | M10 | |
| Cross section | | | | | | | | |
| Stranded | | 120 mm ² | 120 mm ² | 120 mm ² | 240 mm ² | 240 mm ² | 185 mm ² x 2 | |
| Busbars | | 1 x 30 x 3 2 x 20 x 3 | 1 x 30 x 3 2 x 20 x 3 | 1 x 30 x 3 2 x 20 x 3 | 1 x 25 x 6 | 2 x 25 x 6 | 2 x 40 x 5 | |
| Terminal tightening torque | | 14 Nm | 14 Nm | 14 Nm | 20 Nm | 20 Nm | 20 Nm | |
| Standards | | IEC 60947-3 | | | IEC 60947-3 | | | |
| Certification | | CE, RoHS, CCC | | | CE, RoHS, CCC | | | |

Technical data

DDC 250 A to 1250 A, frame size 3

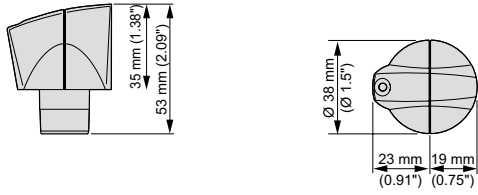
| | | Frame size 3 | | | |
|---------------------------------------|----------------|-------------------------|-------------|-------------|--------|
| | | DDC 800 | DDC 1000 | DDC 1250 | |
| Conventional free air thermal current | I_{th} | 800 A | 1000 A | 1250 A | |
| Conventional enclosed thermal current | I_{the} 35°C | 800 A | 1000 A | 1250 A | |
| | | 50°C | 800 A | 1000 A | 1250 A |
| | | 65°C | 700 A | 900 A | 1000 A |
| Rated uninterrupted current | I_u | 800 A | 1000 A | 1250 A | |
| Rated operational voltage | U_e | 1000 | 1000 | 1000 | |
| Rated insulation voltage | U_i | 1200 V | 1200 V | 1200 V | |
| Rated impulse withstand voltage | U_{imp} | 12 kV | 12 kV | 12 kV | |
| Storage temperature | | -40°C +80°C | -40°C +80°C | -40°C +80°C | |
| Max altitude (without derating) | | ≤ 2000 m | ≤ 2000 m | ≤ 2000 m | |
| Rated operational current | | | | | |
| DC-21B | | | | | |
| At $U_e = 480$ V DC-21B | I_e | 800 A | 1000 A | 1250 A | |
| At $U_e = 600$ V DC-21B | I_e | 800 A | 1000 A | 1250 A | |
| At $U_e = 800$ V DC-21B | I_e | 800 A | 1000 A | 1250 A | |
| At $U_e = 1000$ V DC-21B | I_e | 800 A | 1000 A | 1250 A | |
| Rated short-time withstand current | I_{cw} | 25 kAs | 25 kAs | 25 kAs | |
| Rated short-circuit making capacity | I_{cm} | 54.5 kA | 54.5 kA | 54.5 kA | |
| Power dissipation per pole | P | 34 W | 53 W | 83 W | |
| Durability - maximum cycles (on+off) | | 5000 | 5000 | 5000 | |
| Pollution degree | | III/3 | III/3 | III/3 | |
| Protection class | | IP20 | IP20 | IP20 | |
| Terminal capacities | | | | | |
| Terminal bolt size | | M12 | 2 x M12 | 2 x M12 | |
| Cross section | | | | | |
| Stranded | | 240 mm ² x 2 | - | - | |
| Busbars | | 2 x 50 x 5 | 2 x 60 x 5 | 2 x 80 x 5 | |
| Terminal tightening torque | | 28 Nm | 28 Nm | 28 Nm | |
| Standards | | IEC 60947-3 | | | |
| Certification | | CE, RoHS, CCC | | | |

K Type handles dimensions

A Type handles

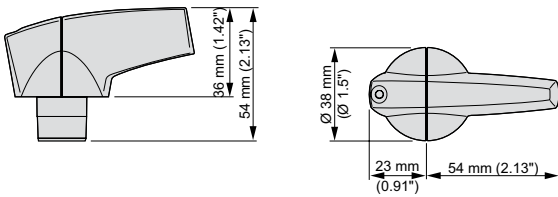
Handle mounted directly on switch (IP Protection IP65)

K1 'A' handle - mm



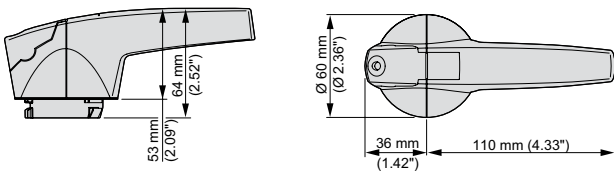
K1 A handle
1818001

K2S and K2 'A' handle - mm



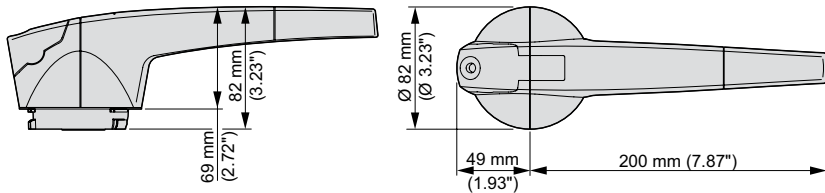
K2 A handle
1818004

K3 'A' handle - mm



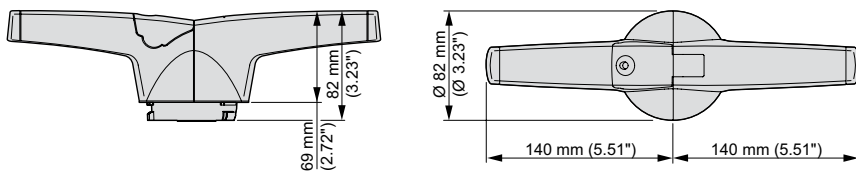
K3 A handle
1818202

K4 'A' handle - mm



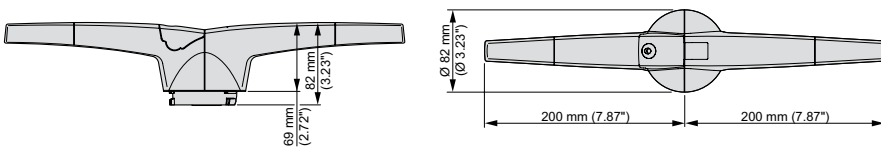
K4A handle
1818009

K5 'A' handle - mm



K5 A handle
1818012

K6 'A' handle

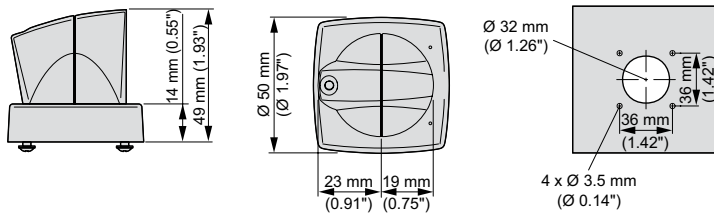


K6 A handle
1818013

C Type handles

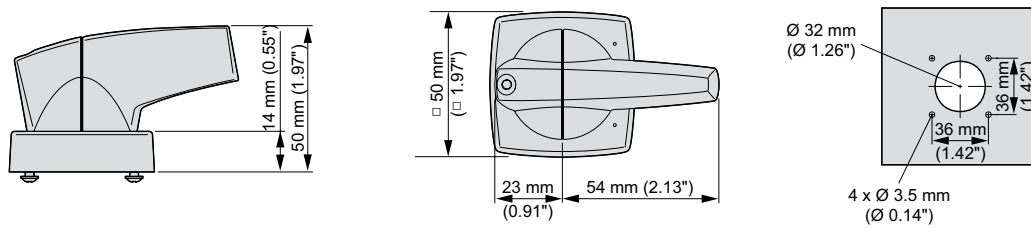
Without interlock function, for example when mounted on the cover of Eaton's Halyester enclosure range (IP Protection IP56)

K1 'C' handle - mm



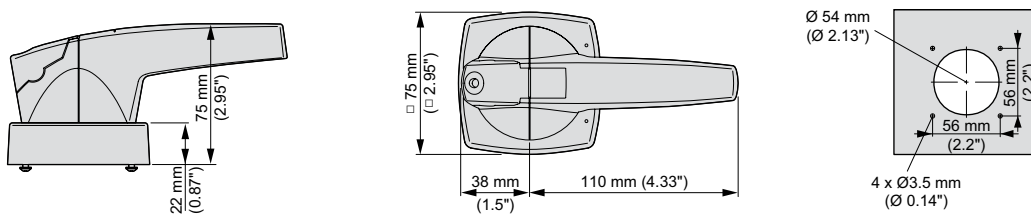
K1 C handle

K2S and K2 'C' handle - mm



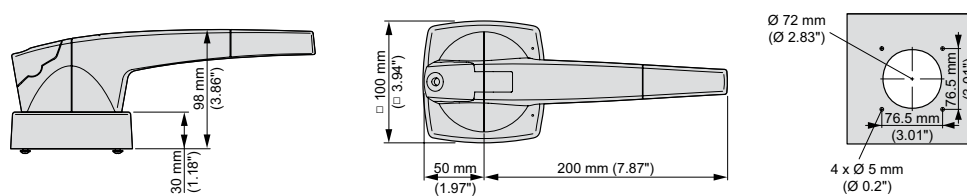
K2 handle
1818018

K3 'C' handle - mm



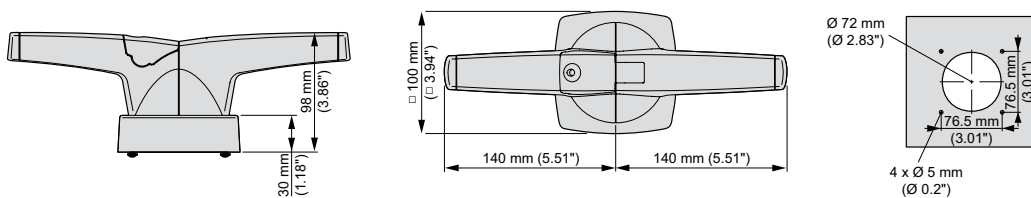
K3 C handle
1818068

K4 'C' handle - mm



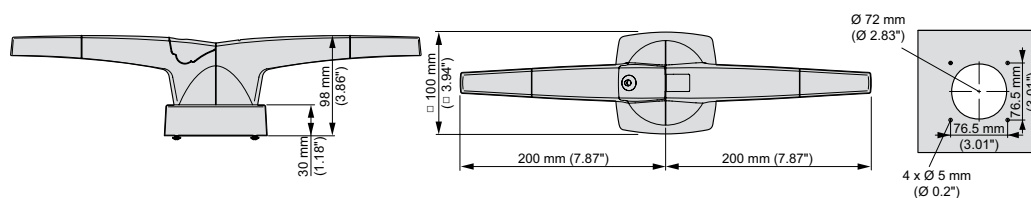
K4 C handle
1818024

K5 'C' handle - mm



1818026

K6 'C' handle - mm



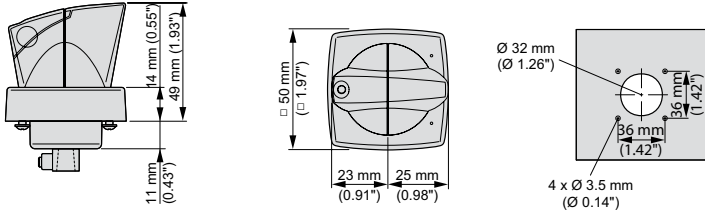
1818027

K Type handles dimensions

D/P handles

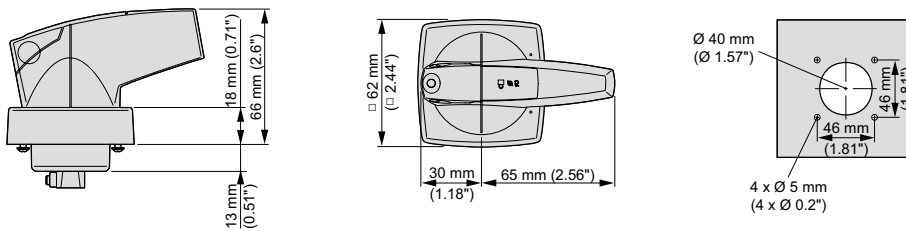
Handle padlockable for mounting on hinged door, with interlock function (IP Protection IP65)

K1 'D/P' handles - mm



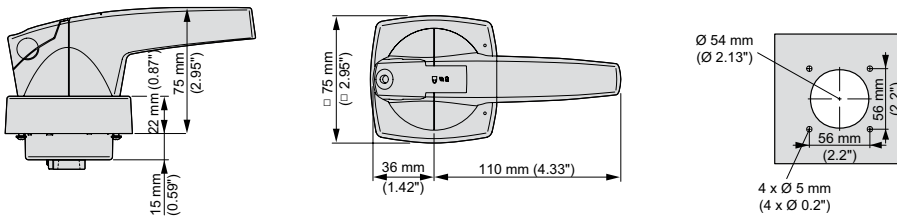
K1 D/P handle
1818029

K2S and K2 'D/P' handles - mm



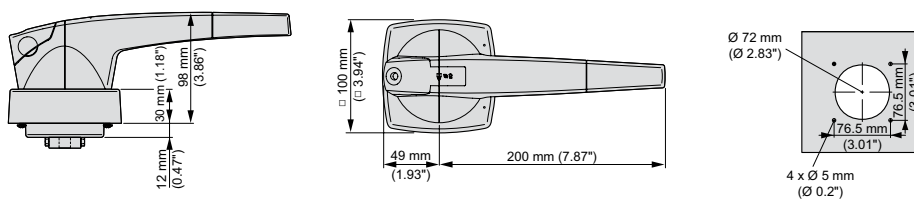
K2 D/P handle
1818033

K3 'D/P' handles - mm



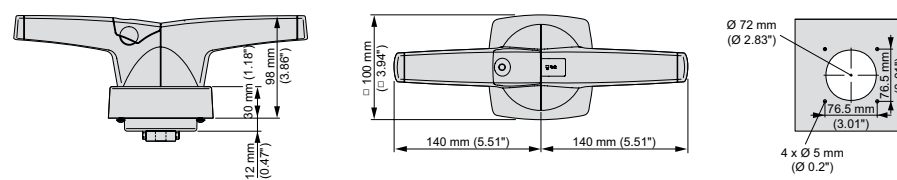
K3 D/P handle
1818069

K4 'D/P' handles - mm



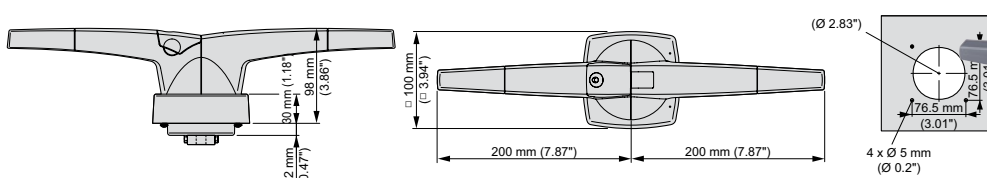
K4 D/P handle
1818113

K5 'D/P' handles - mm



K5 D/P handle
1818057

K6 'D/P' handles - mm

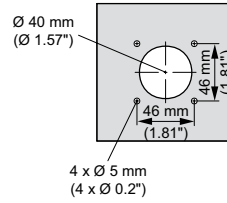
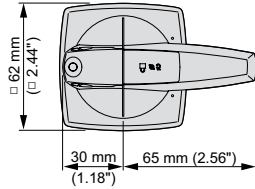
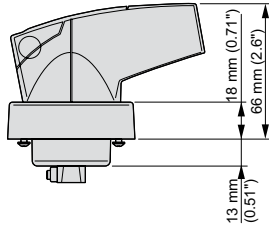


K6 D/P handle
1818064

D/C Type handles

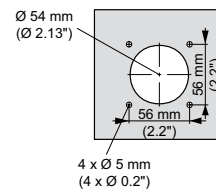
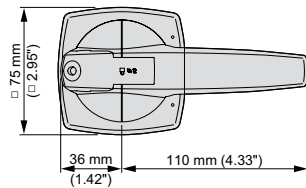
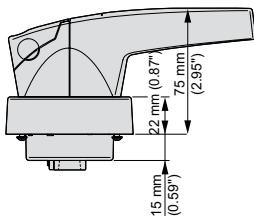
Handle with cylinder lock for mounting on hinged door, supplied with two keys, with interlock function (IP Protection IP65)

K2S and K2 'D/C' handle - mm



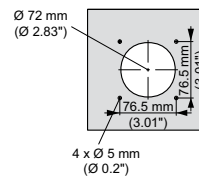
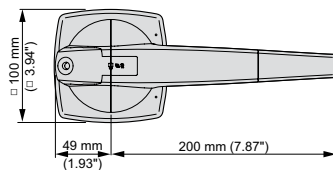
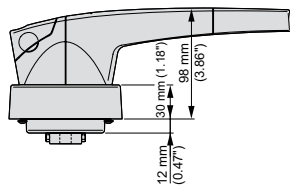
K2 D/C handle
1818038

K3 'D/C' handle - mm



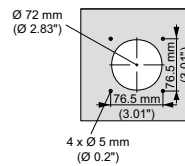
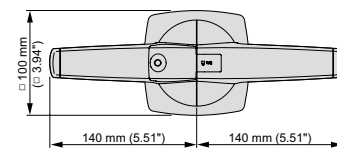
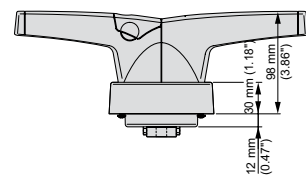
K3 D/C handle
1818097

K4 D/C' handles - mm



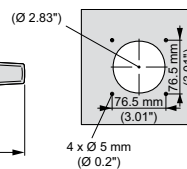
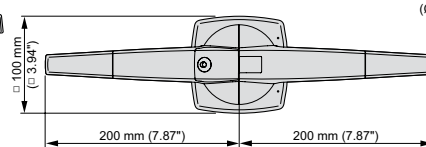
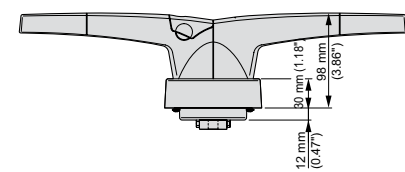
K4 D/C handle
1818055

K5 'D/C' handles - mm



K5 D/C handle
1818060

K6 'D/C' handles - mm



K6 D/C handle
1818067



The power of space

Next generation 30 A and 60 A
Compact Circuit Protector for use with
Class CF CUBEFuse™ requires up to 58%
less space

EATON

Powering Business Worldwide

CCP2 Compact circuit protector Class CF disconnect switches 30 A and 60 A

CCP2 class CF 30 A and 60 A, up to 600 V a.c./125 V d.c.



Description

The revolutionary, next generation Bussmann™ series Compact Circuit Protector (CCP2) is a fused UL® 98 branch circuit disconnect switch utilizing the UL Class CF time-delay or fast-acting CUBEFuse™. With 2/3 the footprint of a traditional fusible solution, these switches provide a high 200 kA SCCR to help improve panel and assembly SCCR.

Standards/Approvals

- IEC60947-3 AC-22A
- UL 98 Listed, Guide WHTY, File E302370
- cULus to Canadian Standard 2.2 No. 4-04, Guide WHTYZ, File 302370
- RoHS compliant
- CE

Technical data

- Voltage:
 - 347 V a.c. (1-pole switches)
 - 600 V ac. (2 and 3-pole switches)
 - 125 V d.c. (1- and 2-pole switches)
- Current: 30 A and 60 A
- SCCR:
 - 200 kA RMS Sym
 - 100 kA DC
- 1-pole, 2-pole and 3-pole

Features

- Uses UL Class CF time-delay or fast-acting CUBEFuse with Class J electrical performance
- Extremely compact design at 25.4 mm (1 inch) wide per pole
- Amp rating rejecting disconnects will not accept a CUBEFuse amp rating greater than switch
- Visible contact separation
- Full voltage rated at 347 V a.c. (1-pole switches) and 600 V a.c. (2 and 3-pole switches)

CCP2 Compact circuit protector Class CF disconnect switches 30 A and 60 A

CCP2 class CF

CCP2 class CF range overview

| | 30 A | 60 A |
|--|------|------|
| Switch only | ✓ | ✓ |
| Right front rotary, clockwise operated switch | ✓ | ✓ |
| Left front rotary, clockwise operated switch | ✓ | ✓ |
| Right side rotary, clockwise operated switch | ✓ | ✓ |
| Left side rotary, counterclockwise operated switch | ✓ | ✓ |

CCP2 class CF switch only



CCP2 switch

| Article number | Current rating | Number of poles | Voltage rating | Max Hp rating (V a.c.) | | | | Pack qty |
|-----------------------------|----------------|-----------------|------------------------|------------------------|-----|-----|-----|----------|
| | | | | 120 | 240 | 480 | 600 | |
| CCP2-1-30CF | 30 A | 1P | 347 V a.c./125 V d.c. | 1.5 | - | - | - | 12 |
| CCP2-2-30CF | 30 A | 2P | 600 V a.c./125 V d.c. | - | 3 | - | - | 6 |
| CCP2-3-30CF | 30 A | 3P | 600 V a.c. | - | 5 | 15 | 10 | 4 |
| CCP2-1-60CF | 60 A | 1P | 347 V a.c./125 V d.c.* | 3 | - | - | - | 12 |
| CCP2-2-60CF | 60 A | 2P | 600 V a.c./125 V d.c.* | - | 7.5 | - | - | 6 |
| CCP2-3-60CF | 60 A | 3P | 600 V a.c. | - | 7.5 | 20 | 10 | 4 |

CCP2 class CF right front rotary, clockwise operated switch



CCP2 right front rotary switch

| Article number | Current rating | Number of poles | Voltage rating | Max Hp rating (V a.c.) | | | | Pack qty |
|------------------------------|----------------|-----------------|------------------------|------------------------|-----|-----|-----|----------|
| | | | | 120 | 240 | 480 | 600 | |
| CCP2R-2-30CF | 30 A | 2P | 600 V a.c./125 V d.c. | - | 3 | - | - | 1 |
| CCP2R-3-30CF | 30 A | 3P | 600 V a.c. | - | 5 | 15 | 10 | 1 |
| CCP2R-2-60CF | 60 A | 2P | 600 V a.c./125 V d.c.* | - | 7.5 | - | - | 1 |
| CCP2R-3-60CF | 60 A | 3P | 600 V a.c. | - | 7.5 | 20 | 10 | 1 |

CCP2 class CF left front rotary, clockwise operated switch



CCP2 left front rotary switch

| Article number | Current rating | Number of poles | Voltage rating | Max Hp rating (V a.c.) | | | | Pack qty |
|-------------------------------|----------------|-----------------|------------------------|------------------------|-----|-----|-----|----------|
| | | | | 120 | 240 | 480 | 600 | |
| CCP2RL-2-30CF | 30 A | 2P | 600 V a.c./125 V d.c. | - | 3 | - | - | 1 |
| CCP2RL-3-30CF | 30 A | 3P | 600 V a.c. | - | 5 | 15 | 10 | 1 |
| CCP2RL-2-60CF | 60 A | 2P | 600 V a.c./125 V d.c.* | - | 7.5 | - | - | 1 |
| CCP2RL-3-60CF | 60 A | 3P | 600 V a.c. | - | 7.5 | 20 | 10 | 1 |

* 125 V d.c. for installed amp ratings up to 40 A, 24 V d.c. for installed fuse amp ratings from 45 to 60 A

[See data sheet TD134003EN](#)

CCP2 Class CF 30 A and 60 A, 600 V a.c./125 V d.c.

CCP2 class CF right side rotary, clockwise operated switch



CCP2 right side rotary switch

| Article number | Current rating | Number of poles | Voltage rating | Max Hp rating (V a.c.) | | | | Pack qty |
|----------------|----------------|-----------------|------------------------|------------------------|-----|-----|-----|----------|
| | | | | 120 | 240 | 480 | 600 | |
| CCP2S-2-30CF | 30 A | 2P | 600 V a.c./125 V d.c. | - | 3 | - | - | 1 |
| CCP2S-3-30CF | 30 A | 3P | 600 V a.c. | - | 5 | 15 | 10 | 1 |
| CCP2S-2-60CF | 60 A | 2P | 600 V a.c./125 V d.c.* | - | 7.5 | - | - | 1 |
| CCP2S-3-60CF | 60 A | 3P | 600 V a.c. | - | 7.5 | 20 | 10 | 1 |

CCP2 class CF left side rotary, counterclockwise operated switch



CCP2 left side rotary switch

| Article number | Current rating | Number of poles | Voltage rating | Max Hp rating (V a.c.) | | | | Pack qty |
|----------------|----------------|-----------------|------------------------|------------------------|-----|-----|-----|----------|
| | | | | 120 | 240 | 480 | 600 | |
| CCP2SL-2-30CF | 30 A | 2P | 600 V a.c./125 V d.c. | - | 3 | - | - | 1 |
| CCP2SL-3-30CF | 30 A | 3P | 600 V a.c. | - | 5 | 15 | 10 | 1 |
| CCP2SL-2-60CF | 60 A | 2P | 600 V a.c./125 V d.c.* | - | 7.5 | - | - | 1 |
| CCP2SL-3-60CF | 60 A | 3P | 600 V a.c. | - | 7.5 | 20 | 10 | 1 |

* 125 V d.c. for installed amp ratings up to 40 A, 24 V d.c. for installed fuse amp ratings from 45 to 60 A

Handles and shafts for CCP2 class CF (Handles and shaft are to be ordered separately)

Handles mounting types overview

| CCP2 | Shaft square mm | Selector handles clockwise | | Selector handles counterclockwise | | Pistol handles clockwise | | Pistol handles counterclockwise | |
|---------------------|-----------------|----------------------------|------------|-----------------------------------|------------|--------------------------|------------|---------------------------------|------------|
| | | Black/Grey | Red/Yellow | Black/Grey | Red/Yellow | Black/Grey | Red/Yellow | Black/Grey | Red/Yellow |
| CCP2R-(pole)-30CF | 8 x 8 | ✓ | ✓ | | | ✓ | ✓ | | |
| CCP2R-(pole)-60CF | 8 x 8 | ✓ | ✓ | | | ✓ | ✓ | | |
| CCP2R-(pole)-100CF | 8 x 8 | ✓ | ✓ | | | ✓ | ✓ | | |
| CCP2RL-(pole)-30CF | 8 x 8 | ✓ | ✓ | | | ✓ | ✓ | | |
| CCP2RL-(pole)-60CF | 8 x 8 | ✓ | ✓ | | | ✓ | ✓ | | |
| CCP2RL-(pole)-100CF | 8 x 8 | ✓ | ✓ | | | ✓ | ✓ | | |
| CCP2S-(pole)-30CF | 8 x 8 | ✓ | ✓ | | | ✓ | ✓ | | |
| CCP2S-(pole)-60CF | 8 x 8 | ✓ | ✓ | | | ✓ | ✓ | | |
| CCP2S-(pole)-100CF | 8 x 8 | ✓ | ✓ | | | ✓ | ✓ | | |
| CCP2SL-(pole)-30CF | 8 x 8 | | | ✓ | ✓ | | | ✓ | ✓ |
| CCP2SL-(pole)-60CF | 8 x 8 | | | ✓ | ✓ | | | ✓ | ✓ |
| CCP2SL-(pole)-100CF | 8 x 8 | | | ✓ | ✓ | | | ✓ | ✓ |

[See data sheet TD134003EN](#)

CCP2 Compact circuit protector Class CF disconnect switches 30 A and 60 A

CCP2 class CF

Handles and shafts

Selector and pistol clockwise handles



Selector handle
CCP2-H4X-B1



Selector handle
CCP2-H4X-R1



Pistol handle
CCP2-H4X-B2



Pistol handle
CCP2-H4X-R2



Shafts
CCP-SH1

| CCP2 class CF | Description | Selector handles | | Pistol handles | | Metal shafts | | | Pack qty |
|---------------------|--|------------------|-------------|----------------|-------------|--------------|--------------|--------------|----------|
| | | Handle colours | | Handle colours | | Shaft mm□ | Shaft length | | |
| | | Black/Grey | Red/Yellow | Black/Grey | Red/Yellow | | 290 mm | 490 mm | |
| CCP2R-(pole)-30CF | Right front rotary switch clockwise handle | | | | | | | | |
| CCP2R-(pole)-60CF | | CCP2-H4X-B1 | CCP2-H4X-R1 | CCP2-H4X-B2 | CCP2-H4X-R2 | 8 x 8 | CCP2-SH1-290 | CCP2-SH1-490 | 1 |
| CCP2R-(pole)-100CF | | | | | | | | | |
| CCP2RL-(pole)-30CF | Left front rotary switch clockwise handle | | | | | | | | |
| CCP2RL-(pole)-60CF | | CCP2-H4X-B1 | CCP2-H4X-R1 | CCP2-H4X-B2 | CCP2-H4X-R2 | 8 x 8 | CCP2-SH1-290 | CCP2-SH1-490 | 1 |
| CCP2RL-(pole)-100CF | | | | | | | | | |
| CCP2S-(pole)-30CF | Right side rotary switch, clockwise handle | | | | | | | | |
| CCP2S-(pole)-60CF | | CCP2-H4X-B1 | CCP2-H4X-R1 | CCP2-H4X-B2 | CCP2-H4X-R2 | 8 x 8 | CCP2-SH1-290 | CCP2-SH1-490 | 1 |
| CCP2S-(pole)-100CF | | | | | | | | | |

Selector and pistol counterclockwise handles



Selector handle
CCP2-H4X-B1L



Selector handle
CCP2-H4X-R1L



Pistol handle
CCP2-H4X-B2L



Pistol handle
CCP2-H4X-R2L



Shafts
CCP-SH1

| CCP2 Class CF | Description | Selector handles | | Pistol handles | | Metal shafts | | | Pack qty |
|---------------------|--|------------------|--------------|----------------|--------------|--------------|--------------|--------------|----------|
| | | Handle colours | | Handle colours | | Shaft mm□ | Shaft length | | |
| | | Black/Grey | Red/Yellow | Black/Grey | Red/Yellow | | 290 mm | 490 mm | |
| CCP2SL-(pole)-30CF | Left side rotary switch, counterclockwise handle | | | | | | | | |
| CCP2SL-(pole)-60CF | | CCP2-H4X-B1L | CCP2-H4X-R1L | CCP2-H4X-B2L | CCP2-H4X-R2L | 8 x 8 | CCP2-SH1-290 | CCP2-SH1-490 | 1 |
| CCP2SL-(pole)-100CF | | | | | | | | | |

See data sheet [TD134003EN](#)

Accessories

Multi-wire lug kits



CCP2-MW1-3

| Article number | Description | Suitable for CCP2 | Pack qty |
|----------------|--|-------------------|----------|
| CCP2-MW1-3 | 3-port multi-wire, 75°C Cu.Al, 6-14 includes terminal shield | 30 A and 60 A | 3 |

Terminal shrouds



CCP2-TS1-3

| Article number | Suitable for CCP2 | Pack qty |
|----------------|-------------------|----------|
| CCP2-TS1-3 | 30 A and 60 A | 3 |

Auxiliary contacts



CCP2-AUX

| Article number | Description | Suitable for CCP2 | CCP Type | Pack qty |
|----------------|---|---------------------|-------------------|----------|
| CCP2-AUX | NO + NC, 5A /240 V a.c., mounts on right side | CCP2-(poles)-30CF | Switch only | 3 |
| | | CCP2-(poles)-60CF | | |
| | NO + NC, 5A /240 V a.c. | CCP2RL-(poles)-30CF | Left front rotary | 3 |
| | | CCP2RL-(poles)-60CF | | |
| | NO + NC, 5A /240 V a.c., mounts on right side | CCP2SL-(poles)-30CF | Left side rotary | 3 |
| | | CCP2SL-(poles)-60CF | | |

CCP2 Compact circuit protector Class CF disconnect switches 30 A and 60 A

CCP2 class CF

Technical data for CCP2 Class CF

| CCP2 Class CF 30 A and 60 A | |
|---|--|
| Rated voltage | 347 V a.c. (1-pole switches) 600 V a.c. (2 and 3-pole switches) 125 V d.c.* |
| SCCR | 200 kA AC and 100 kA DC |
| Poles | 1-pole, 2-pole and 3-pole |
| Conductors/terminals | 75°C Cu, see conductor tables for size, type and torque information Box lug, single/dual indicator Fork terminal suitable for line, load or accessory connection, max. 30 A suitable for use with - 10-24 screw for 30 A and 60 A switches - 1/4-28 screw for 100 A switches |
| Local open fuse indication minimum voltage (Open fuse indication requires an open fuse to be in the CCP2 and the switch in the ON position) | 90 V a.c for AC switches 12 V d.c. for DC switches |
| Storage and operating temperature | -20°C to 75°C For fuse performance under or above 25°C, consult fuse performance derating charts in the Bussmann division publication no 3002, titled Selecting Protection Devices (SPD) |
| Lockout/tag provisions | 1/4" lock, direct use on switches without rotary mechanisms requires a lock with a straight shank of sufficient length to engage all poles |
| Minimum enclosure size | 254 x 203 x 152 mm for 30 and 60 A switch 356 x 305 x 152 mm for 100 switch |
| Mounting | 35 mm DIN-Rail |
| Data sheet | 10801 |
| Agency information | UL 98 Listed, Guide WHTY, File E302370 cULus to Canadian Standard 2.2 NO 4-04, Guide WHTY7 File 302370 RoHS compliant CE |

* Switch amp rating and installed fuse amp rating dependent

Box lug terminal conductor data

| Wire type | AWG range | Class | Quantity | Torque N•m (lb-in) |
|-----------------------------|-----------|---------------------------------|-------------|--------------------|
| 30 and 60 A switches | | | | |
| 75°C Cu | 4-6 | Stranded, Class B to K | Single | 3.95 (35) |
| | 8-18 | | | 2.26 (20) |
| | 6-8 | Stranded, Class B/C | Dual | 3.39 (30) |
| | | Stranded, Class K | | 2.26 (20) |
| | 10-18 | Stranded, Class B to K | Single/dual | 2.26 (20) |
| | 10-18 | Solid | | 2.26 (20) |
| | 4-18 | Stranded, UL ferrule, Class B/C | Single | 3.39 (30) |
| | 6-18 | | Twin† | |
| | 4-18 | Stranded, UL ferrule, Class K | Single | 2.82 (25) |
| | 6-18 | | Twin† | |

† Two stranded conductors placed in one UL Listed twin ferrule.

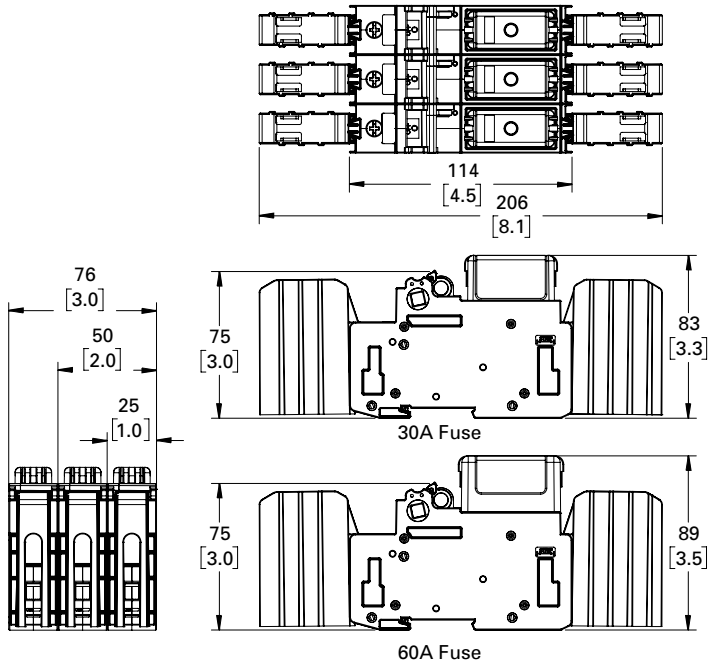
| Wire type | AWG range | Class | Quantity | Torque N•m (lb-in) |
|-----------------------|---------------------|---------------------------------|-------------|--------------------|
| 100 A switches | | | | |
| 75°C Cu | 12-18 | Stranded, Class B/C | Single | 2.26 (20) |
| | 10 | | | 2.82 (25) |
| | 8 | Stranded, Class B/C | Dual | 4.52 (40) |
| | 4-6 | | | 5.08 (45) |
| | 1-3 | Stranded, UL ferrule, Class B/C | Dual | 6.21 (55) |
| | 4-12 | | | 5.08 (45) |
| | 12-18 | Stranded, UL ferrule, Class B/C | Single | 2.26 (20) |
| | 10 | | | 3.95 (35) |
| | 1-8 | Stranded, UL ferrule, Class B/C | Twin† | 4.52 (40) |
| | 10-18 | | | 2.26 (20) |
| | 6-9 | Solid | Single/Dual | 2.82 (25) |
| | 10-18 | | | 2.26 (20) |
| | 1-7 | Class K | Single | 3.39 (30) |
| | 3-10 | | | Dual |
| | 8-18 | Class K, UL ferrule | Single | 2.26 (20) |
| | 1-7 | | | 3.39 (30) |
| 6-18 | Class K, UL ferrule | Twin | 2.26 (20) | |
| 6-18 | | | 2.26 (20) | |

† Two stranded conductors placed in one UL Listed twin ferrule.

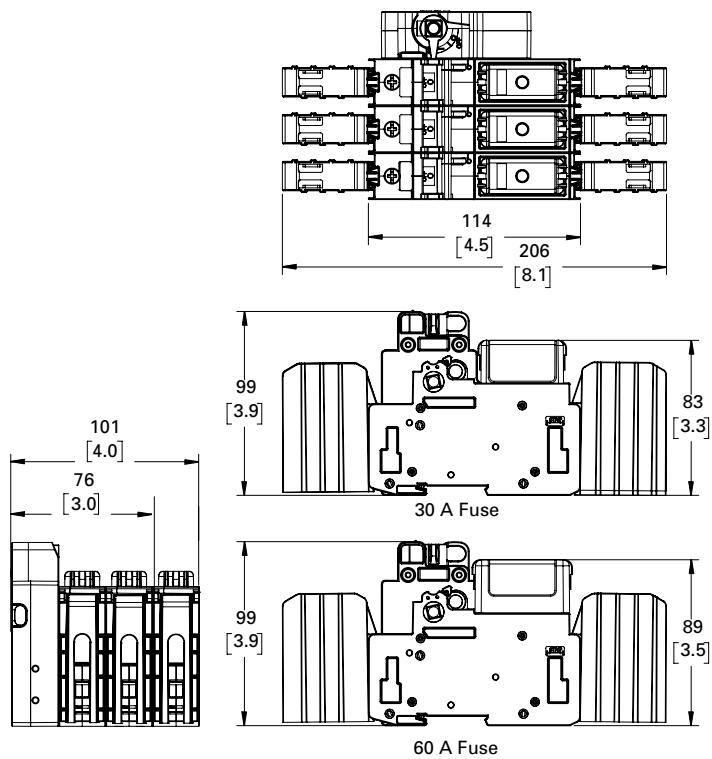
[See data sheet TD134003EN](#)

Outline drawings

30 A and 60 A Switch only (shown with optional terminal shrouds) - mm (in)



30 A and 60 A Right front rotary switches (shown with optional terminal shrouds) - mm (in)

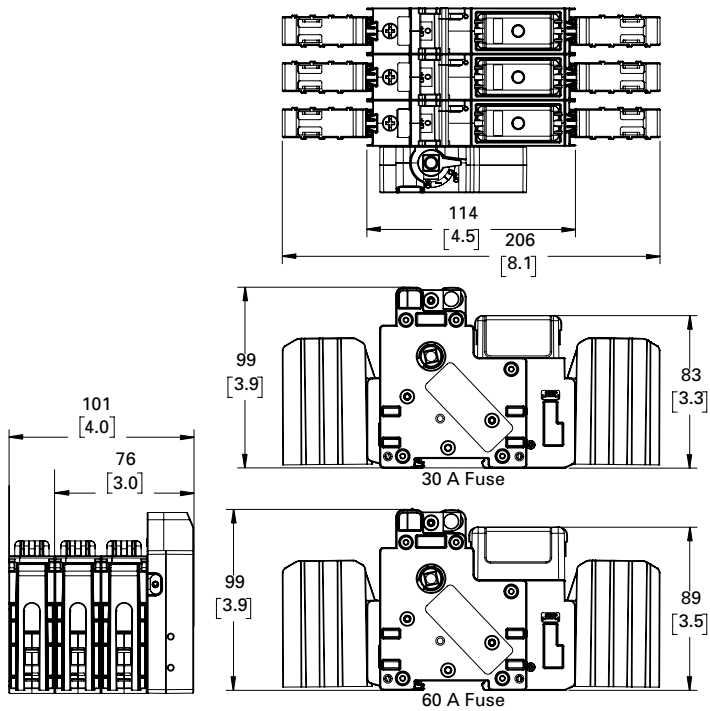


CCP2 Compact circuit protector Class CF disconnect switches 30 A and 60 A

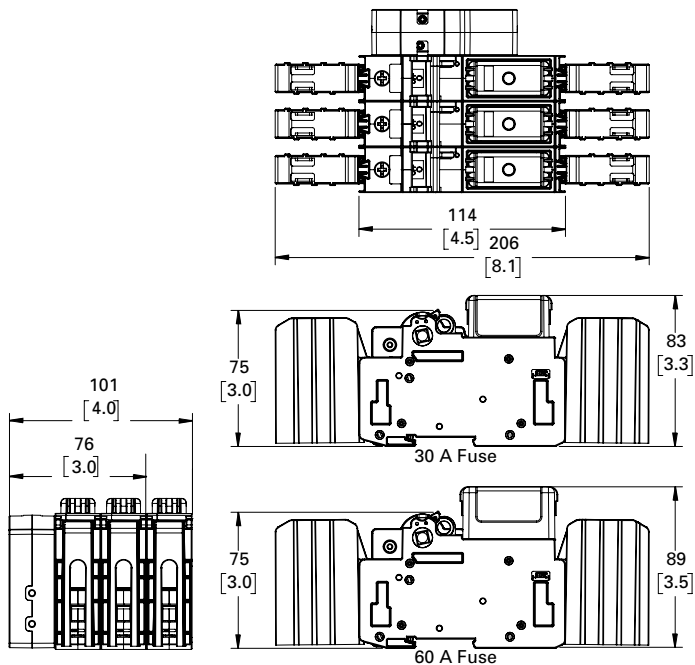
CCP2 class CF

Outline drawings

30 A and 60 A Left front rotary switches (shown with optional terminal shrouds) - mm (in)



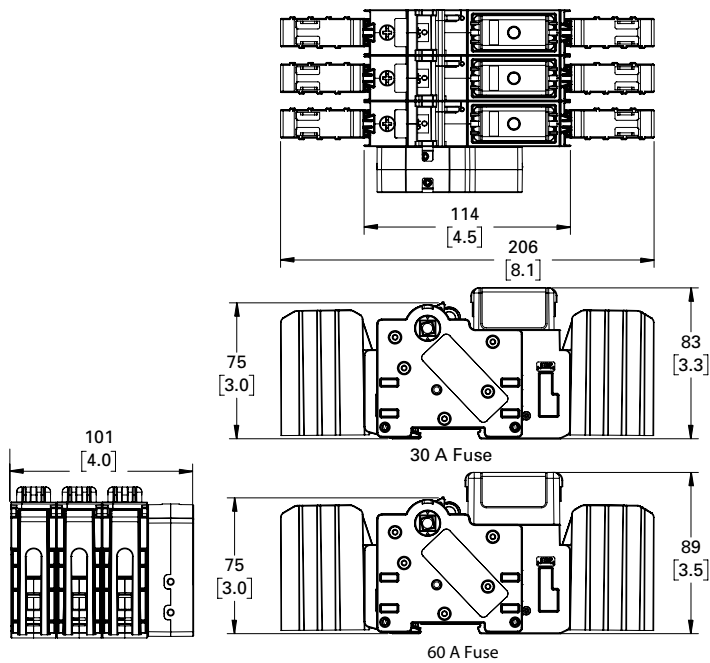
30 A and 60 A Right side rotary switches (shown with optional terminal shrouds) - mm (in)



[See data sheet TD134003EN](#)

Outline drawings for CCP2 class CF (Dimensions are in mm (in))

30 A and 60 A Left side rotary switches (shown with optional terminal shrouds) - mm (in)



CCP2 Compact circuit protector Class CF disconnect switches 30 A and 60 A

CCP2 class CF

CCP2 class CF Compatible Eaton's Bussmann series fuse links

TCF UL Class CF branch circuit time-delay CUBEFuse



| CCP Class CF | Compatible CUBEFuse | | | Pack qty |
|----------------------------------|---------------------|----------------|------------------------|----------|
| Article number | Article number | Current (Amps) | Voltage | |
| Indicating CUBEFuse | | | | |
| CCP 30 A, CCP 60 A and CCP 100 A | TCF6 | 6 | 600 V a.c./ 100 V d.c. | 12 |
| | TCF10 | 10 | | 12 |
| | TCF15 | 15 | | 12 |
| | TCF17-1/2 | 17.5 | | 12 |
| | TCF20 | 20 | | 12 |
| | TCF25 | 25 | | 12 |
| | TCF30 | 30 | | 12 |
| CCP 60 A and CCP 100 A | TCF35 | 35 | | 12 |
| | TCF40 | 40 | | 12 |
| | TCF45 | 45 | | 12 |
| | TCF50 | 50 | | 12 |
| CCP 100 A | TCF60 | 60 | | 12 |
| | TCF70 | 70 | | 6 |
| | TCF80 | 80 | | 6 |
| | TCF90 | 90 | | 6 |
| | TCF100 | 100 | | 6 |
| Non-indicating CUBEFuse | | | | |
| CCP 30 A, CCP 60 A and CCP 100 A | TCF1RN | 1 | 600 V a.c./ 100 V d.c. | 12 |
| | TCF3RN | 3 | | 12 |
| | TCF6RN | 6 | | 12 |
| | TCF10RN | 10 | | 12 |
| | TCF15RN | 15 | | 12 |
| | TCF17-1/2RN | 17.5 | | 12 |
| | TCF20RN | 20 | | 12 |
| | TCF25RN | 25 | | 12 |
| CCP 60 A and CCP 100 A | TCF30RN | 30 | | 12 |
| | TCF35RN | 35 | | 12 |
| | TCF40RN | 40 | | 12 |
| | TCF45RN | 45 | | 12 |
| CCP 100 A | TCF50RN | 50 | | 12 |
| | TCF60RN | 60 | | 12 |
| | TCF70RN | 70 | | 6 |
| | TCF80RN | 80 | | 6 |
| | TCF90RN | 90 | | 6 |
| TCF100RN | 100 | | 6 | |

See data sheet [9000](#)

Index

| | |
|----------|-----------------------|
| 4K10 | 11, 38, 39, 46, 47 |
| 4K10/4K | 70 |
| 4K10K | 9, 10, 11 |
| 4K14 | 11, 38, 39, 46, 47 |
| 4K14K | 9, 10, 11 |
| 4K6116 | 9, 10, 11, 24, 25, 32 |
| 4K6132 | 9, 10, 11, 24, 25, 32 |
| 4K6148 | 9, 10, 11, 24, 25, 32 |
| 4K6172 | 9, 10, 11, 24, 25, 32 |
| 4K6180 | 64, 65 |
| 4K6180MM | 52 |
| 4K6270 | 9, 10, 11, 24, 25, 32 |
| 4K6300 | 64, 65 |
| 4K6300MM | 52 |
| 4K6400 | 9, 10, 11, 24, 25, 32 |
| 4K6600 | 64, 65 |
| 4K6600MM | 52 |
| 4K8115 | 64, 65, 66 |
| 4K8140 | 64, 65, 66 |
| 4K8180 | 64, 65, 66 |
| 4K8300 | 64, 65, 66 |
| 4K8600 | 64, 65, 66 |
| 4K10135 | 64, 65, 66 |
| 4K10180 | 64, 65, 66 |
| 4K10300 | 64, 65, 66, 93, 94 |
| 4K10600 | 64, 65, 66, 93, 94 |
| 4K12300 | 64, 65, 66, 93, 94 |
| 4K12600 | 64, 65, 66, 93, 94 |
| 5A | 46 |
| 098931 | 92 |
| 131932 | 65 |
| 171362 | 88 |
| 172789 | 22 |
| 172790 | 22 |
| 172791 | 22 |
| 172792 | 22 |
| 172793 | 22 |
| 172794 | 22 |
| 172795 | 22 |
| 172796 | 22 |
| 172797 | 22 |
| 172798 | 23 |
| 172799 | 23 |
| 172800 | 23 |
| 172801 | 23 |
| 172802 | 23 |
| 172803 | 23 |
| 172804 | 23 |
| 172805 | 23 |
| 172806 | 23 |
| 172846 | 22 |
| 172847 | 22 |
| 172848 | 22 |
| 172849 | 22 |
| 172850 | 22 |
| 172851 | 22 |
| 172852 | 22 |
| 172853 | 22 |
| 172854 | 22 |
| 172855 | 23 |
| 172856 | 23 |
| 172857 | 23 |
| 172858 | 23 |
| 172859 | 23 |
| 172860 | 23 |
| 172861 | 23 |
| 172862 | 23 |
| 172863 | 23 |
| 181444 | 8 |
| 181807 | 11 |
| 199531 | 21 |
| 199532 | 21 |
| 199533 | 21 |
| 199534 | 21 |
| 199969 | 21 |
| 199970 | 21 |
| 319432 | 68 |
| 319832 | 64 |
| 319853 | 53 |
| 1050240 | 9, 10, 11, 46, 47 |
| 1050242 | 9, 10, 11, 46, 47 |
| 1050243 | 9, 10, 11, 46, 47 |
| 1050244 | 9, 10, 11, 46, 47 |
| 1050247 | 9, 10, 11, 46, 47 |
| 1050248 | 9, 10, 11, 38, 39 |
| 1050250 | 9, 10, 11, 38, 39 |
| 1050251 | 38, 39 |
| 1050252 | 38, 39 |
| 1050253 | 38, 39 |
| 1050254 | 38, 39 |
| 1050256 | 12 |
| 1050257 | 12 |
| 1059849 | 95 |
| 1314002 | 31 |
| 1314004 | 31 |
| 1314005 | 31 |
| 1314006 | 31 |
| 1314007 | 31 |
| 1314009 | 31 |
| 1314015 | 31 |
| 1314016 | 31 |
| 1314031 | 12 |
| 1314052 | 21 |
| 1314053 | 21 |
| 1314054 | 22 |
| 1314055 | 22 |
| 1314056 | 21 |
| 1314057 | 21 |
| 1314104 | 31 |
| 1314105 | 31 |
| 1314106 | 31 |
| 1314107 | 31 |
| 1314108 | 31 |
| 1314109 | 31 |
| 1314110 | 31 |
| 1314111 | 31 |
| 1314112 | 31 |
| 1314113 | 31 |
| 1314157 | 21 |
| 1314158 | 21 |
| 1314159 | 22 |
| 1314160 | 22 |
| 1314161 | 21 |
| 1314162 | 21 |
| 1314203 | 21 |
| 1314204 | 21 |
| 1314206 | 22 |
| 1314207 | 22 |
| 1314210 | 21 |
| 1314211 | 21 |
| 1314230 | 12 |
| 1314232 | 26 |
| 1314300 | 26, 33 |
| 1314301 | 26, 33 |
| 1314314 | 37 |
| 1314320 | 37 |
| 1314330 | 26 |
| 1314331 | 26, 33 |
| 1314334 | 24, 25, 32 |
| 1314335 | 24, 25, 32 |
| 1314336 | 37 |
| 1314341 | 24, 25, 32 |
| 1314342 | 24, 25, 32 |
| 1314344 | 33 |
| 1314369 | 26, 33 |
| 1314370 | 24, 25, 32 |
| 1314374 | 24, 25, 32 |
| 1314398 | 12 |
| 1314648 | 12, 95 |
| 1314682 | 37 |
| 1314691 | 9, 10, 11 |
| 1314692 | 9, 10, 11 |
| 1314693 | 9, 10, 11 |
| 1314736 | 12 |
| 1314751 | 9, 10, 11 |
| 1314752 | 9, 10, 11 |
| 1314830 | 12 |
| 1314857 | 12, 95 |
| 1314878 | 37 |
| 1314879 | 37 |
| 1314881 | 37 |
| 1314883 | 37 |
| 1314884 | 37 |
| 1314915 | 12, 95 |
| 1314927 | 12 |
| 1314996 | 9, 10, 11 |
| 1318011 | 63 |
| 1318016 | 63 |
| 1318020 | 63 |
| 1318023 | 63 |
| 1318027 | 62 |
| 1318030 | 62 |
| 1318033 | 62 |
| 1318476 | 69 |
| 1318526 | 62 |
| 1318533 | 62 |
| 1318537 | 63 |
| 1318542 | 62 |
| 1318543 | 62 |
| 1318544 | 63 |
| 1318546 | 62 |
| 1318547 | 62 |
| 1318548 | 62 |
| 1318549 | 62 |
| 1318550 | 62 |
| 1318551 | 62 |
| 1318552 | 62 |
| 1318553 | 62 |
| 1318554 | 62 |
| 1318555 | 62 |
| 1318612 | 62 |
| 1318614 | 62 |
| 1318685 | 70 |
| 1318694 | 62 |
| 1318699 | 62 |
| 1319065 | 63 |
| 1319074 | 63 |
| 1319095 | 63 |
| 1319103 | 63 |
| 1319175 | 63 |
| 1319301 | 64, 65, 66 |
| 1319303 | 64, 65, 66 |
| 1319306 | 64, 65, 66 |
| 1319307 | 64, 65, 66 |
| 1319311 | 64, 65, 66 |
| 1319314 | 64, 65, 66 |
| 1319315 | 64, 65, 66 |
| 1319319 | 64, 65, 66, 93, 94 |
| 1319322 | 64, 65, 66, 93, 94 |
| 1319326 | 64, 65, 66, 93, 94 |
| 1319329 | 64, 65, 66, 93, 94 |
| 1319332 | 70 |
| 1319334 | 70 |
| 1319336 | 70 |
| 1319398 | 70 |
| 1319409 | 68 |
| 1319411 | 68 |
| 1319413 | 68, 95 |
| 1319415 | 68, 95 |
| 1319417 | 69 |
| 1319418 | 68 |
| 1319423 | 69 |
| 1319426 | 69 |
| 1319429 | 69 |
| 1319435 | 69 |
| 1319438 | 69 |
| 1319439 | 69 |
| 1319441 | 69 |
| 1319460 | 67 |
| 1319462 | 67 |
| 1319466 | 67 |
| 1319467 | 67 |
| 1319472 | 67 |
| 1319473 | 67 |
| 1319474 | 67 |
| 1319476 | 67 |
| 1319480 | 67 |
| 1319482 | 67 |
| 1319486 | 67 |
| 1319662 | 67 |
| 1319830 | 52, 64, 65 |
| 1319831 | 52, 64, 65 |
| 1319832 | 52, 65 |
| 1319833 | 33, 52, 70 |
| 1319851 | 53 |
| 1319855 | 52 |
| 1319856 | 52 |
| 1319857 | 52 |
| 1319858 | 52 |
| 1319859 | 52 |
| 1319868 | 53 |
| 1319869 | 53 |
| 1319870 | 53 |
| 1319871 | 53 |
| 1319872 | 53 |
| 1319873 | 53 |
| 1319967 | 52 |
| 1319969 | 52 |
| 1320200 | 63 |
| 1320201 | 62 |
| 1320202 | 63 |
| 1320203 | 62 |
| 1320204 | 63 |
| 1320205 | 62 |
| 1320206 | 63 |
| 1320207* | 62 |
| 1320237 | 69 |
| 1320239 | 68 |
| 1320297 | 62 |
| 1320298 | 62 |
| 1713607 | 89 |
| 1713610 | 88 |
| 1713611 | 88 |
| 1713612 | 88 |
| 1713613 | 88 |
| 1713614 | 88 |
| 1713615 | 88 |
| 1713616 | 88 |
| 1713617 | 88 |
| 1713618 | 88 |
| 1713622 | 88 |
| 1713623 | 88 |
| 1713625 | 88 |
| 1713626 | 88 |
| 1713627 | 88 |
| 1713628 | 88 |
| 1713629 | 88 |
| 1814065 | 7 |
| 1814174 | 7 |
| 1814175 | 7 |
| 1814176 | 7 |
| 1814177 | 7 |
| 1814178 | 7 |
| 1814179 | 7 |
| 1814186 | 7 |
| 1814187 | 7 |
| 1814188 | 7 |
| 1814408 | 7 |
| 1814409 | 7 |
| 1814410 | 7 |
| 1814411 | 7 |
| 1814412 | 7 |
| 1814413 | 7 |
| 1814420 | 8 |
| 1814421 | 8 |
| 1814422 | 8 |
| 1814423 | 8 |
| 1814424 | 8 |
| 1814425 | 8 |
| 1814442 | 7 |
| 1814443 | 7 |
| 1814444 | 7 |
| 1814445 | 7 |
| 1814446 | 7 |
| 1814447 | 7 |
| 1814448 | 8 |
| 1814449 | 8 |
| 1814450 | 8 |
| 1814451 | 8 |
| 1814452 | 8 |
| 1814453 | 8 |
| 1814590 | 7 |
| 1814591 | 7 |
| 1814592 | 7 |
| 1814595 | 7 |
| 1814596 | 7 |
| 1814597 | 7 |
| 1818001 | 24, 32, 64 |
| 1818002 | 24, 32, 64 |
| 1818003 | 9, 24, 38 |
| 1818004 | 9, 24, 38 |
| 1818005 | 64 |
| 1818006 | 64 |
| 1818009 | 64 |
| 1818010 | 64, 93 |
| 1818011 | 9, 38, 46 |
| 1818012 | 9, 38, 46 |
| 1818013 | 9, 38 |
| 1818014 | 9, 38 |
| 1818015 | 24, 32, 65 |
| 1818016 | 24, 32, 65 |
| 1818017 | 10, 24 |
| 1818018 | 10, 24 |
| 1818019 | 65 |
| 1818020 | 65 |
| 1818023 | 65 |
| 1818024 | 65 |
| 1818025 | 10 |
| 1818026 | 10 |
| 1818027 | 10 |
| 1818028 | 10 |
| 1818029 | 25, 32, 65 |
| 1818030 | 25, 32, 65 |
| 1818031 | 25, 32, 65 |
| 1818032 | 10, 25 |
| 1818033 | 10, 25 |

| | | | | | |
|---------|-------------------|-----------------------------|------------|---------------------|--------------------|
| 1818034 | 10, 25 | 6098945 | 92 | GF | 85 |
| 1818035 | 65 | 6098946 | 92 | K1A | 24, 32, 64 |
| 1818036 | 65 | 6098947 | 92 | K1C | 24, 32, 65 |
| 1818037 | 65 | 6098948 | 92 | K1D | 25, 32, 65 |
| 1818038 | 11, 25 | 6098950 | 92 | K2A | 64 |
| 1818039 | 11, 25 | 6098951 | 92 | K2C | 65 |
| 1818040 | 11, 25 | 6098952 | 92 | K2D | 65, 66 |
| 1818041 | 66 | 6098953 | 92 | K2S | 10, 24 |
| 1818042 | 66 | 6098954 | 92 | K2SA | 9, 24, 38 |
| 1818043 | 66 | 6098955 | 92 | K2SD | 10, 11, 25 |
| 1818050 | 65 | 6098956 | 92 | K3A | 9, 38, 46, 64, 93 |
| 1818051 | 65, 94 | 6098957 | 92 | K3C | 10, 65 |
| 1818052 | 65, 94 | 6098958 | 92 | K3D | 11, 46, 65, 66, 94 |
| 1818053 | 66 | 6099271 | 8 | K3DB | 11, 47 |
| 1818054 | 66, 94 | 6099272 | 8 | K3DG | 11 |
| 1818055 | 66, 94 | 6099273 | 8 | K4A | 64, 93 |
| 1818056 | 11, 46 | 6099274 | 8 | K4C | 65 |
| 1818057 | 11, 46 | 6101137 | 68, 95 | K4D | 65, 66, 94 |
| 1818058 | 11, 46 | ADAPTORPADLOCK | 66, 95 | K5A | 9, 38 |
| 1818059 | 11, 47 | ADAPTORPADLOCK-K1 | 33 | K5C | 10 |
| 1818060 | 11, 47 | AUX1NO+1NC | 68 | K5D | 11, 46 |
| 1818061 | 11, 47 | AUX1NO+1NC+BOX | 95 | K5DB | 11, 47 |
| 1818062 | 11 | AUX1NO+1NCD/CM/DMM | 26, 33 | K5DG | 11 |
| 1818063 | 11 | AUX1NO+1NCDMV160N | 12 | K5DR | 11 |
| 1818064 | 11 | AUX1NO+1NCDMVS160-2000 | 12 | K6A | 9, 38 |
| 1818065 | 11 | AUX2NO+2NCD/CM/DMM | 26, 33 | K6C | 10 |
| 1818066 | 11 | BAO | 83 | K6D | 11 |
| 1818067 | 11 | CCP2 | 105 | K6DB | 11 |
| 1818068 | 10, 65 | CCP2-AUX | 109 | K6DG | 11 |
| 1818069 | 11, 46, 65, 94 | CCP2-H4X | 108 | K6DR | 11 |
| 1818070 | 11, 47, 66, 94 | CCP2-MW1-3 | 109 | K6100VERL | 12 |
| 1818072 | 39 | CCP2-TS1-3 | 109 | K6200VERL | 12 |
| 1818076 | 39 | CD | 84 | KITM | 12, 95 |
| 1818078 | 39 | CEO | 83 | KO2SDB | 39 |
| 1818096 | 11, 46, 65, 94 | CODM | 37 | KO3DB | 39 |
| 1818097 | 11, 47, 66, 94 | COUP | 70 | KO5DB | 39 |
| 1818103 | 33, 66 | COUP6X6MM | 33, 52 | KO6DB/P | 39 |
| 1818104 | 66 | COVERDCM/DMM | 26 | LOCKMULTIPLIER-K1-6 | 95 |
| 1818105 | 66, 95 | COVERDCM/DMM40/63 | 33 | LPC | 88 |
| 1818106 | 66, 95 | COVERDMV160 | 12 | MPDMV | 45 |
| 1818110 | 9, 38, 46, 64 | COVERDMV630N/1000N | 12 | MTS-16 | 57 |
| 1818111 | 9, 38, 46, 64, 93 | D27 | 89 | MTS-32 | 57 |
| 1818112 | 10, 65 | D33 | 89 | MTS-40 | 57 |
| 1818113 | 11, 46, 65 | DCM | 30 | MTS-63 | 57 |
| 1818114 | 11, 47, 66 | DCM-40 | 31 | MTS-HI11 | 57 |
| 1818116 | 39 | DCM-63 | 31 | NH | 81 |
| 1818200 | 24, 32, 64 | DD | 84 | Paco | 88 |
| 1818201 | 64 | DDC | 91, 92 | Pasco | 88 |
| 1818202 | 9, 38, 46, 64, 93 | DMM | 20 | PHM | 88 |
| 1818203 | 64, 93 | DMM-12 | 21 | QM | 51 |
| 6028293 | 68, 95 | DMM-40 | 21, 22 | QM63 | 51 |
| 6083336 | 21 | DMM-63 | 21, 22 | QM100 | 51 |
| 6084846 | 8 | DMM-80 | 21 | QMAUX1NO | 53 |
| 6084847 | 8 | DMM-100 | 21 | QMCOSET | 52 |
| 6084848 | 8 | DMM-125 | 22, 23 | QMCOVER | 53 |
| 6085416 | 21 | DMM-160 | 21, 22, 23 | QMDOORCOUP | 52 |
| 6085417 | 21 | DMV | 6 | QMEARTH | 53 |
| 6085418 | 21 | DMV-160N | 7 | QMHANDLE | 52 |
| 6090659 | 9, 10, 11 | DMV-250 | 8 | QMNEUTRAL | 52 |
| 6093242 | 8 | DMV-250N | 7, 8 | QSA | 61, 62, 63 |
| 6093243 | 8 | DMV-400 | 8 | QSA16 | 63 |
| 6093244 | 8 | DMV-400N | 7, 8 | QSA63 | 62, 63 |
| 6093344 | 21 | DMV-630N | 7, 8 | QSA100 | 62, 63 |
| 6093345 | 21 | DMV-1000N | 7, 8 | QSA125 | 62 |
| 6093346 | 21 | DMV-1250N | 7 | QSA160 | 62 |
| 6093347 | 21 | DMV-1600N | 7 | QSA200 | 62, 63 |
| 6094964 | 22 | DMV-2000N | 7 | QSA250 | 62, 63 |
| 6094965 | 22 | DMV-2500 | 8 | QSA315 | 62, 63 |
| 6094966 | 8 | DMV-3150 | 8 | QSA400 | 62, 63 |
| 6094967 | 8 | ED | 84 | QSA630 | 62, 63 |
| 6094968 | 22 | EF | 85 | QSA800 | 62, 63 |
| 6094969 | 22 | EP-400894 | 12 | QSACOVER1PM | 68, 95 |
| 6094970 | 8 | EP-401727 | 57 | QSAFCOVER | 69 |
| 6094971 | 8 | EP-401728 | 57 | QSAN | 67 |
| 6096804 | 22 | EP-401729 | 57 | QSANS | 67 |
| 6096805 | 22 | EP-401730 | 57 | QSARCOVER1P | 69 |
| 6096806 | 22 | EP-401731 | 57 | QSARCOVER400-800 | 69 |
| 6096807 | 22 | EP-401732 | 57 | QSATCOVERBOX | 68 |
| 6098274 | 95 | EP-401733 | 57 | SC4K12/14 | 95 |
| 6098930 | 92 | EP-401734 | 57 | SETDMM125 | 26 |
| 6098932 | 92 | EP-401735 | 57 | SETDMV160N | 37 |
| 6098933 | 92 | EP-401736 | 57 | SETDMVS160N/250N | 37 |
| 6098934 | 92 | EP-401737 | 57 | SHAFTSETDCM/DMM | 26, 33 |
| 6098935 | 92 | EP-401738 | 57 | TC | 84 |
| 6098936 | 92 | EP-401739 | 57 | TCF | 114 |
| 6098937 | 92 | EP-401740 | 57 | TCP | 83 |
| 6098938 | 92 | EP-401741 | 57 | TF | 84 |
| 6098940 | 92 | EP-401742 | 57 | TIS | 83 |
| 6098941 | 92 | EP-401743 | 57 | TKF | 85 |
| 6098942 | 92 | EXTENDED-COVERDMVS160N/400N | 12 | TMF | 85 |
| 6098943 | 92 | FF | 85 | TTM | 85 |
| 6098944 | 92 | FRONTKITDCM/DMM | 33 | | |

Eaton is an intelligent power management company dedicated to protecting the environment and improving the quality of life for people everywhere. We make products for the data center, utility, industrial, commercial, machine building, residential, aerospace and mobility markets. We are guided by our commitment to do business right, to operate sustainably and to help our customers manage power - today and well into the future. By capitalizing on the global growth trends of electrification and digitalization, we're helping to solve the world's most urgent power management challenges and building a more sustainable society for people today and generations to come.

Founded in 1911, Eaton has continuously evolved to meet the changing and expanding needs of our stakeholders. With revenues of nearly \$25 billion in 2024, the company serves customers in more than 160 countries.

For more information, visit [eaton.com](https://www.eaton.com). Follow us on [LinkedIn](#).



Eaton Electrical Products Limited
Unit 1, Hawker Business Park
Melton road
Burton-on-the-Wolds
LE12 5TH
United Kingdom

© 2018 Eaton
All Rights Reserved
Printed in the United Kingdom
Publication No. CA008011EN
October 2025

Changes to the products, to the information contained in this document, and to prices are reserved; so are errors and omissions. Only order confirmations and technical documentation by Eaton is binding. Photos and pictures also do not warrant a specific layout or functionality. Their use in whatever form is subject to prior approval by Eaton. The same applies to Trademarks (especially Eaton, Moeller, and Cutler-Hammer). The Terms and Conditions of Eaton apply, as referenced on Eaton Internet pages and Eaton order confirmations.

Eaton is a registered trademark.

All other trademarks are property of their respective owners.

Follow us on social media to get the latest product and support information.

