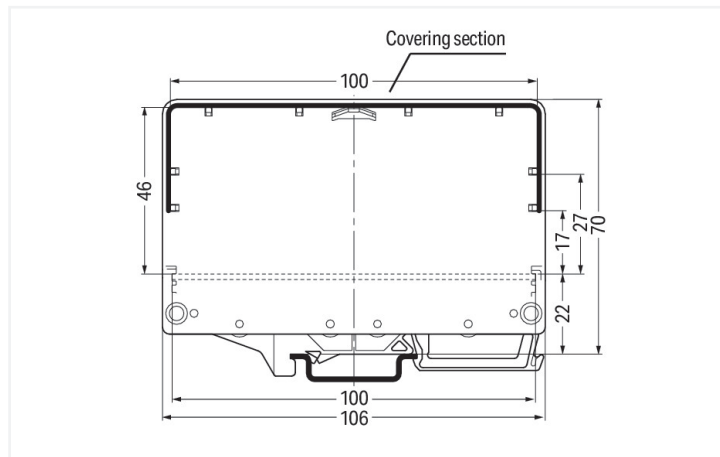


Data Sheet | Item Number: 288-627

Cover; Size 2; 1 m long; transparent

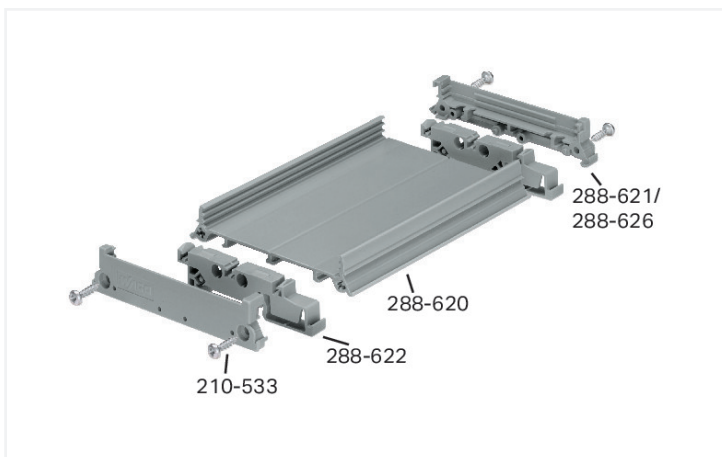
<https://www.wago.com/288-627>



Color: transparent

Similar to illustration

Dimensions in mm



DIN-rail-mount PCB carrier, size 2

DIN-rail mount PCB carrier, size 2 with cover – cover, size 2; large; 1 m long

Physical data

Width 1000 mm / 39.37 inches

Mechanical data

Mounting type DIN-35 rail



Material data	
Color	transparent

Commercial data	
Product Group	6 (INTERFACE ELECTRONIC)
PU (SPU)	10 (1) pcs
Packaging type	Box
Country of origin	DE
GTIN	4017332666374
Customs tariff number	39169010900

Product Classification	
UNSPSC	39121702
eCl@ss 10.0	27-18-27-02
eCl@ss 9.0	27-18-27-02
ETIM 9.0	EC001031
ETIM 10.0	EC001031
ECCN	NO US CLASSIFICATION

Environmental Product Compliance	
RoHS Compliance Status	Compliant, No Exemption

Downloads

Environmental Product Compliance

Compliance Search	
Environmental Product Compliance 288-627	↓

CAD/CAE-Data

CAD data	
2D/3D Models 288-627	↓

CAE data	
WSCAD Universe 288-627	↓
ZUKEN Portal 288-627	↓

1 Compatible Products

1.1 Optional Accessories

1.1.1 Installation

1.1.1.1 Mounting accessories



[Item No.: 210-533](#)

Phillips screw 2.9 x 13

1.1.1.2 Mounting carrier and mounting feet



[Item No.: 288-626](#)

Lateral cover; Size 2; large; 8.75 mm thick; gray



[Item No.: 288-620](#)

Track section; Size 2; 1 m long; gray



[Item No.: 288-620/024-000](#)

Track section; Size 2; gray