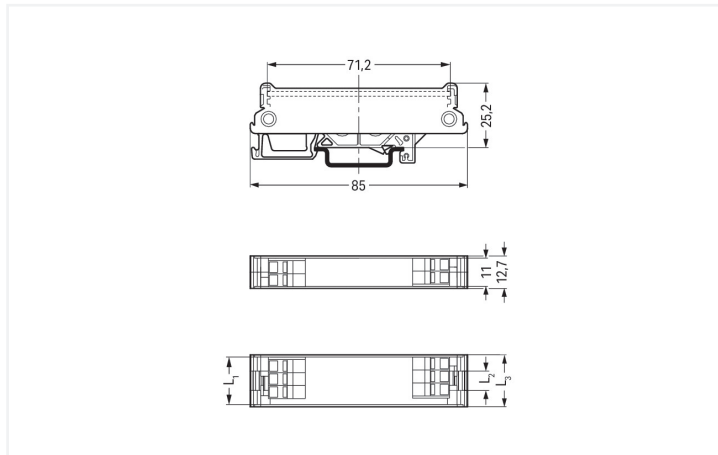
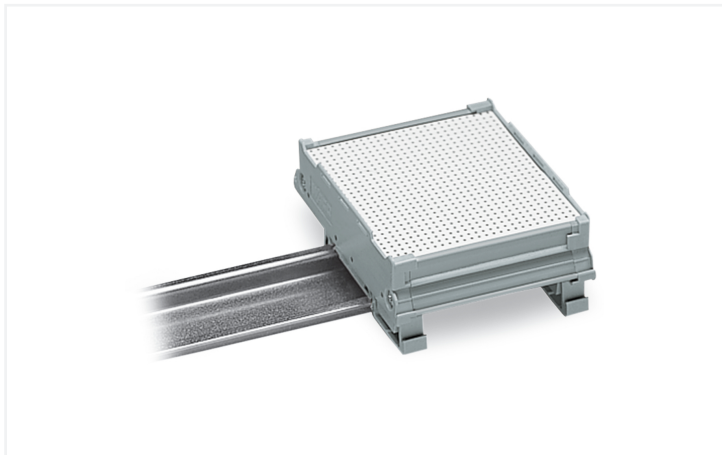


Data Sheet | Item Number: 288-602

Fixing foot for DIN 35 rail; gray

<https://www.wago.com/288-602>

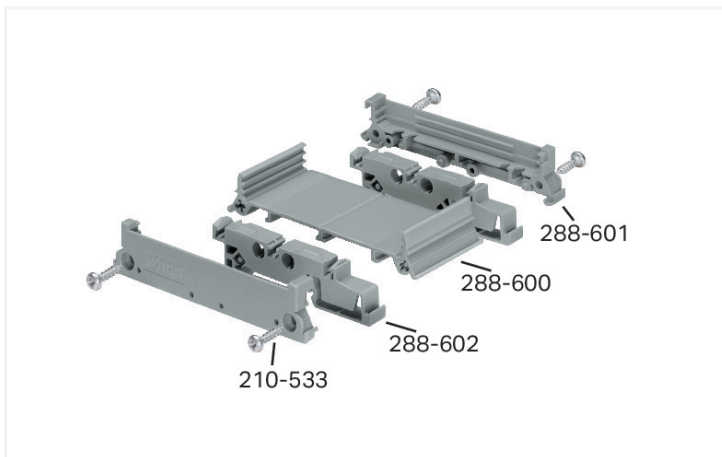


Color: ■ gray

Similar to illustration

Dimensions in mm

$L1 = \text{PCB length}$
 $L2 = L1 - 11 \text{ mm}$ (L2 = carrier base length)
 $L3 = L1 + 2 \text{ mm}$



DIN-rail-mount PCB carrier, size 1

DIN-rail-mount PCB carrier, size 1 – mounting foot for DIN-35 rail

Mechanical data

Mounting type: DIN-35 rail

Material data

Color: gray
Housing material: PA 6.6

Commercial data

Product Group	6 (INTERFACE ELECTRONIC)
PU (SPU)	50 (1) pcs
Packaging type	Box
Country of origin	DE
GTIN	4017332612197
Customs tariff number	39269097900

Product Classification

UNSPSC	39121702
eCl@ss 10.0	27-18-27-02
eCl@ss 9.0	27-18-27-02
ETIM 9.0	EC001031
ETIM 10.0	EC001031
ECCN	NO US CLASSIFICATION

Environmental Product Compliance

RoHS Compliance Status	Compliant, No Exemption
------------------------	-------------------------

Downloads

Environmental Product Compliance

Compliance Search	
Environmental Product Compliance 288-602	↓

CAD/CAE-Data

CAD data		CAE data	
2D/3D Models 288-602	↓	WSCAD Universe 288-602	↓
		ZUKEN Portal 288-602	↓

1 Compatible Products

1.1 Optional Accessories

1.1.1 Installation

1.1.1.1 Mounting accessories



Item No.: 210-533
Phillips screw 2.9 x 13

1.1.1.2 Mounting carrier and mounting feet



Item No.: 288-601

Lateral cover; Size 1; small; 6.35 mm thick; gray

Item No.: 288-600

Track section; Size 1; 1 m long; gray