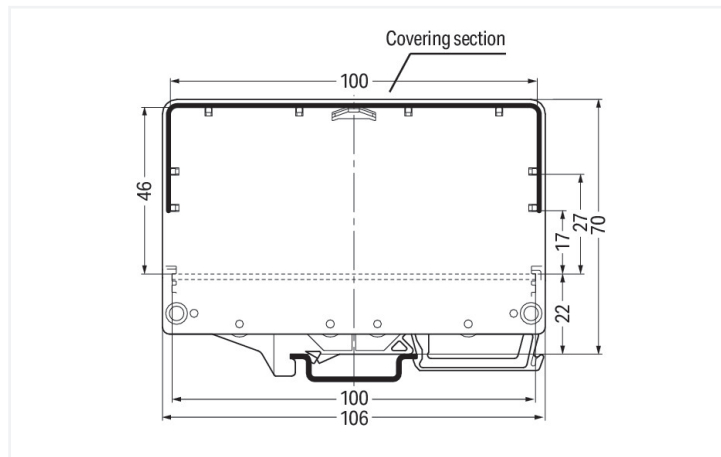


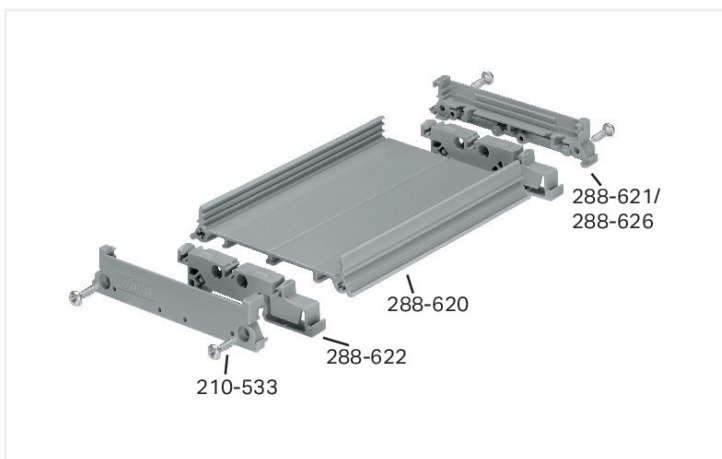
Data Sheet | Item Number: 288-626
 Lateral cover; Size 2; large; 8.75 mm thick; gray
<https://www.wago.com/288-626>



Color: ■ gray

Similar to illustration

Dimensions in mm



DIN-rail-mount PCB carrier, size 2

DIN-rail mount PCB carrier, size 2 with cover – lateral cover, size 2; large; 8.75 mm thick

Physical data

Width	8.75 mm / 0.344 inches
Height	106 mm / 4.173 inches

Mechanical data

Mounting type	DIN-35 rail
---------------	-------------

Material data	
Color	gray

Commercial data	
Product Group	6 (INTERFACE ELECTRONIC)
PU (SPU)	25 (1) pcs
Packaging type	Box
Country of origin	DE
GTIN	4017332649865
Customs tariff number	39269097900

Product Classification	
UNSPSC	39121702
eCl@ss 10.0	27-18-27-02
eCl@ss 9.0	27-18-27-02
ETIM 9.0	EC001031
ETIM 10.0	EC001031
ECCN	NO US CLASSIFICATION

Environmental Product Compliance	
RoHS Compliance Status	Compliant, No Exemption

Downloads

Environmental Product Compliance

Compliance Search	
Environmental Product Compliance 288-626	↓

CAD/CAE-Data

CAD data	
2D/3D Models 288-626	↓

CAE data	
WSCAD Universe 288-626	↓
ZUKEN Portal 288-626	↓

1 Compatible Products

1.1 Optional Accessories

1.1.1 Installation

1.1.1.1 Mounting accessories



[Item No.: 210-533](#)

Phillips screw 2.9 x 13

1.1.1.2 Mounting carrier and mounting feet



[Item No.: 288-627](#)

Cover; Size 2; 1 m long; transparent



[Item No.: 288-620](#)

Track section; Size 2; 1 m long; gray



[Item No.: 288-620/024-000](#)

Track section; Size 2; gray