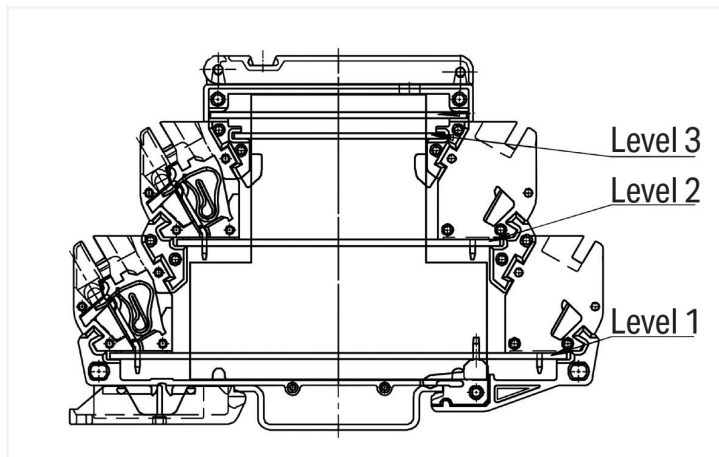
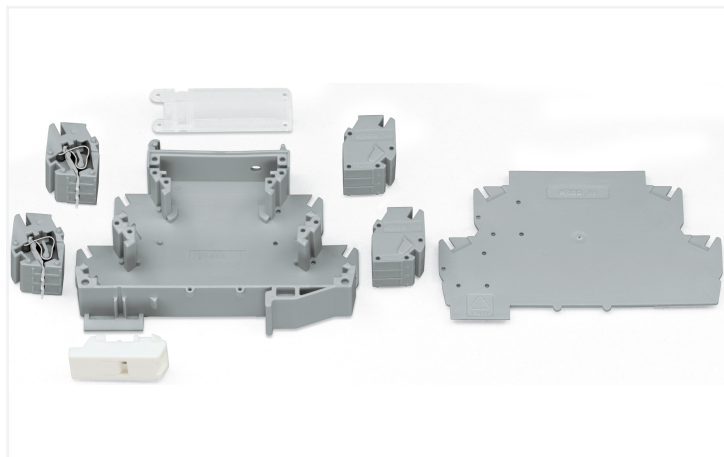


**Data Sheet | Item Number: 789-127**

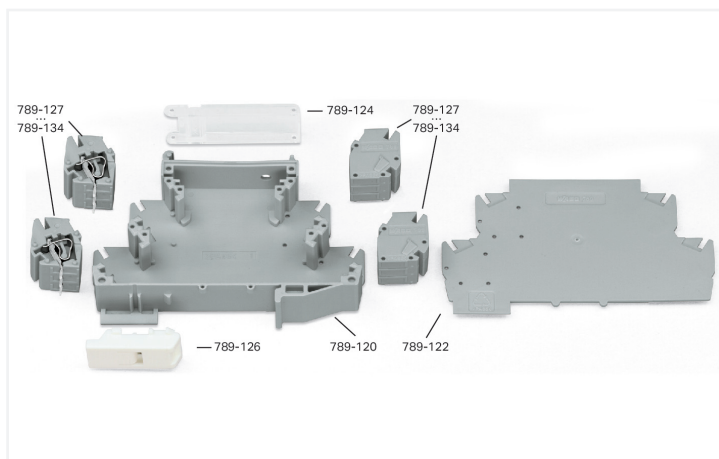
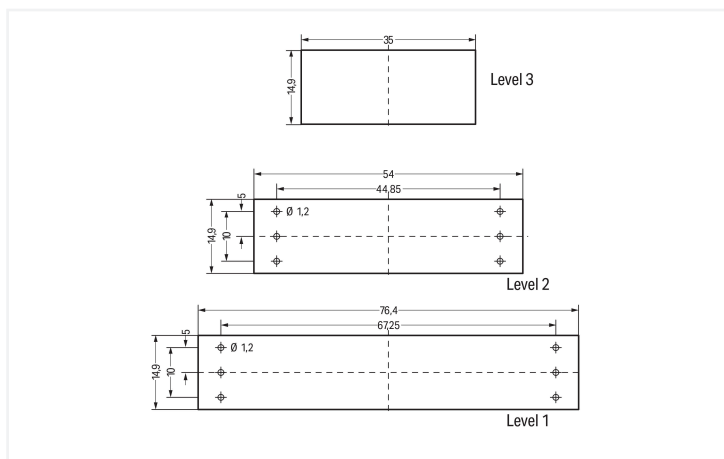
PCB terminal block; 2.5 mm<sup>2</sup>; Pin spacing 5 mm; 3-pole; CAGE CLAMP®; gray

<https://www.wago.com/789-127>



Color: ■ gray

Similar to illustration



PCB dimensions, vertical mounting: (PCB thickness max. 1.5 mm) in level 1; (PCB thickness max. 1 mm) in level 2 and 3

Universal modular component plug housing, as rail-mount terminal block – compact terminal block, 3-pole: CCC\*  
 (\*C = with clamping spring; O = without clamping spring; Housing open on the right side)

**Connection Data**

Pole number	3
Connections (number)	3

**Mechanical data**

Housing design	DIN-rail-mount enclosure
Suitable	for 789-120

**Material data**

Color	gray
-------	------

**Commercial data**

PU (SPU)	100 (1) pcs
Packaging type	Box
Country of origin	DE
GTIN	4044918610537
Customs tariff number	85369010000

**Product Classification**


UNSPSC	39121409
eCl@ss 10.0	27-18-27-02
eCl@ss 9.0	27-18-27-02
ETIM 9.0	EC001031
ETIM 10.0	EC001031
ECCN	NO US CLASSIFICATION

**Environmental Product Compliance**


RoHS Compliance Status	Compliant, No Exemption
------------------------	-------------------------



**Downloads**

**Environmental Product Compliance**

Compliance Search
Environmental Product Compliance 789-127 

**CAD/CAE-Data**

<b>CAD data</b>
2D/3D Models 789-127 

<b>CAE data</b>
WSCAD Universe 789-127 
ZUKEN Portal 789-127 

## 1 Compatible Products

### 1.1 Optional Accessories

#### 1.1.1 System enclosure

##### 1.1.1.1 DIN-rail-mount enclosure



Item No.: 789-120

Housing 55 mm; gray