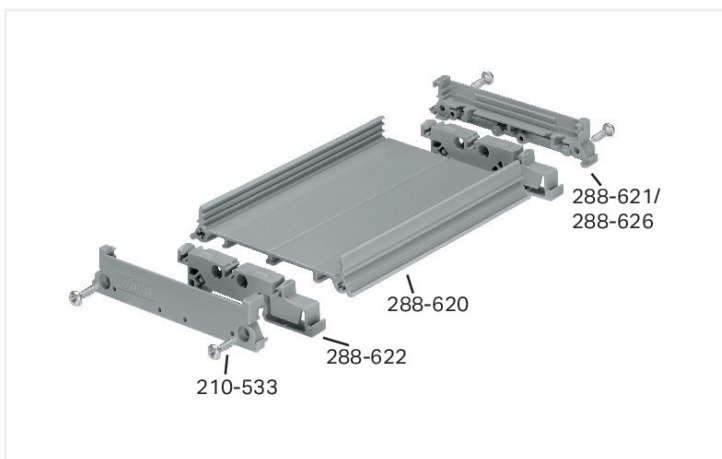


Color: ■ gray

Similar to illustration

Dimensions in mm
 $L1 = \text{PCB/cover length}$
 $L2 = L1 - 15.8 \text{ mm}$ (L2 = carrier base length)
 $L3 = L1 + 2 \text{ mm}$



DIN-rail-mount PCB carrier, size 2

DIN-rail mount PCB carrier, size 2 – lateral cover, size 2; small; 8.75 mm thick

Physical data

Width	8.75 mm / 0.344 inches
Height	106 mm / 4.173 inches

Mechanical data

Mounting type	DIN-35 rail
---------------	-------------

Material data

Color	gray
Housing material	PC/ABS

Commercial data

Product Group	6 (INTERFACE ELECTRONIC)
PU (SPU)	100 (1) pcs
Packaging type	Box
Country of origin	DE
GTIN	4017332639453
Customs tariff number	39269097900

Product Classification

UNSPSC	39121702
eCl@ss 10.0	27-18-27-02
eCl@ss 9.0	27-18-27-02
ETIM 9.0	EC001031
ETIM 10.0	EC001031
ECCN	NO US CLASSIFICATION

Environmental Product Compliance

RoHS Compliance Status	Compliant, No Exemption
------------------------	-------------------------

Downloads

Environmental Product Compliance

Compliance Search	
Environmental Product Compliance 288-621	↓

CAD/CAE-Data

CAD data	
2D/3D Models 288-621	↓

CAE data	
WSCAD Universe 288-621	↓
ZUKEN Portal 288-621	↓

1 Compatible Products

1.1 Optional Accessories

1.1.1 Installation

1.1.1.1 Mounting accessories



[Item No.: 210-533](#)

Phillips screw 2.9 x 13

1.1.1.2 Mounting carrier and mounting feet



[Item No.: 288-620](#)

Track section; Size 2; 1 m long; gray



[Item No.: 288-620/024-000](#)

Track section; Size 2; gray