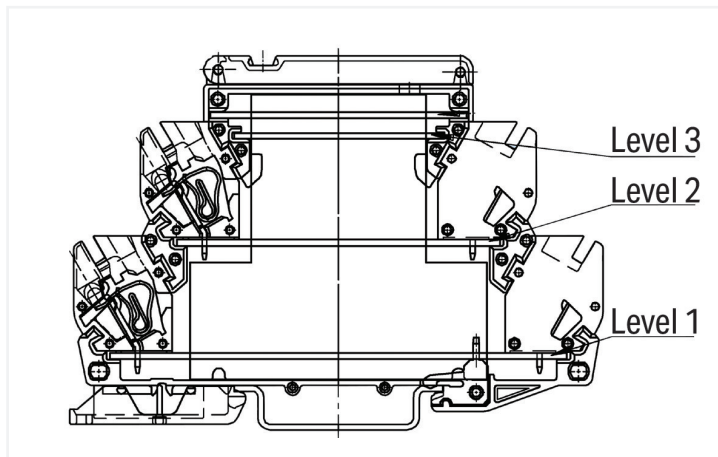
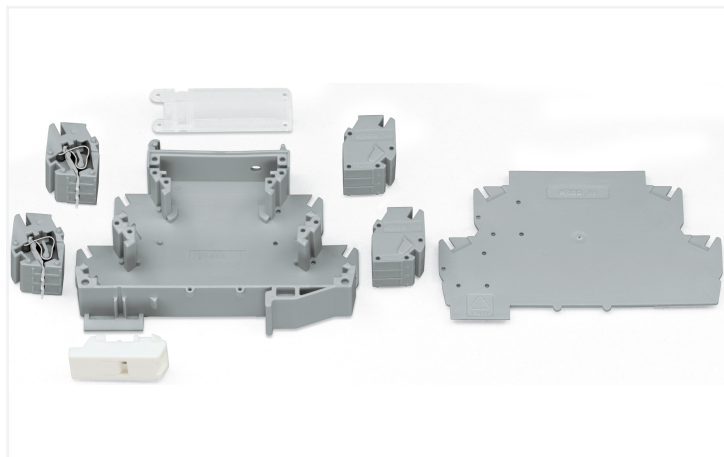


Data Sheet | Item Number: 789-130

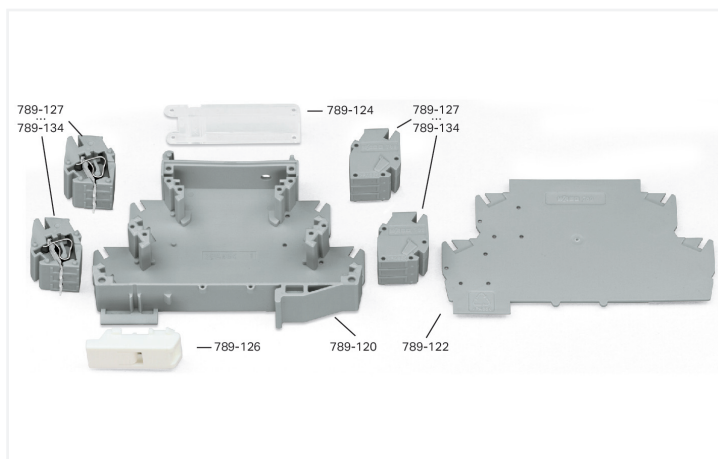
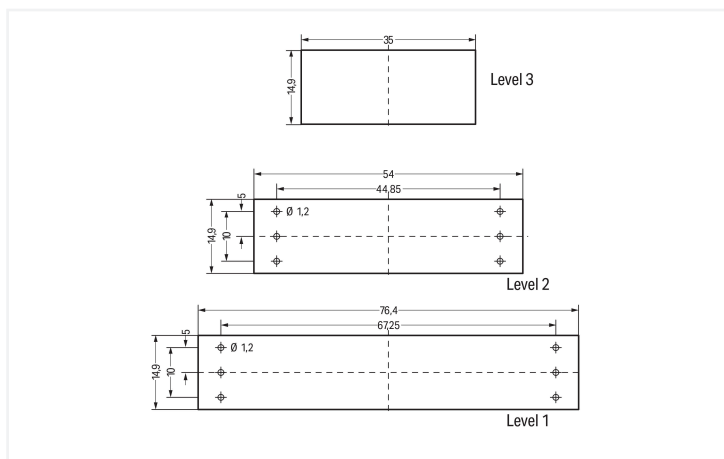
PCB terminal block; 2.5 mm²; Pin spacing 5 mm; 2-pole; CAGE CLAMP®; gray

<https://www.wago.com/789-130>



Color: ■ gray

Similar to illustration



PCB dimensions, vertical mounting: (PCB thickness max. 1.5 mm) in level 1; (PCB thickness max. 1 mm) in level 2 and 3

Universal modular component plug housing, as rail-mount terminal block – compact terminal block, 3-pole: OCC*
(*C = with clamping spring; O = without clamping spring; Housing open on the right side)

Connection Data

| | |
|----------------------|---|
| Pole number | 3 |
| Connections (number) | 2 |

Mechanical data

| | |
|----------------|--------------------------|
| Housing design | DIN-rail-mount enclosure |
| Suitable | for 789-120 |

Material data

| | |
|-------|------|
| Color | gray |
|-------|------|

Commercial data

| | |
|-----------------------|---------------|
| PU (SPU) | 100 (1) pcs |
| Packaging type | Box |
| Country of origin | DE |
| GTIN | 4044918611763 |
| Customs tariff number | 85369010000 |

Product Classification

| | |
|-------------|----------------------|
| UNSPSC | 39121409 |
| eCl@ss 10.0 | 27-18-27-02 |
| eCl@ss 9.0 | 27-18-27-02 |
| ETIM 9.0 | EC001031 |
| ETIM 10.0 | EC001031 |
| ECCN | NO US CLASSIFICATION |

Environmental Product Compliance

| | |
|------------------------|-------------------------|
| RoHS Compliance Status | Compliant, No Exemption |
|------------------------|-------------------------|

Downloads

Environmental Product Compliance

| | |
|--|-------------------|
| Compliance Search | |
| Environmental Product Compliance 789-130 | ↓ |

CAD/CAE-Data

| | | | |
|----------------------|-------------------|------------------------|-------------------|
| CAD data | | CAE data | |
| 2D/3D Models 789-130 | ↓ | WSCAD Universe 789-130 | ↓ |
| | | ZUKEN Portal 789-130 | ↓ |

1 Compatible Products

1.1 Optional Accessories

1.1.1 System enclosure

1.1.1.1 DIN-rail-mount enclosure



Item No.: 789-120

Housing 55 mm; gray