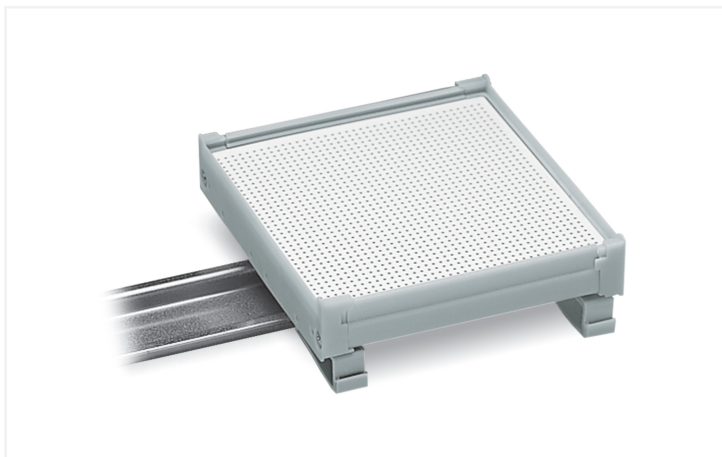


Data Sheet | Item Number: 288-620

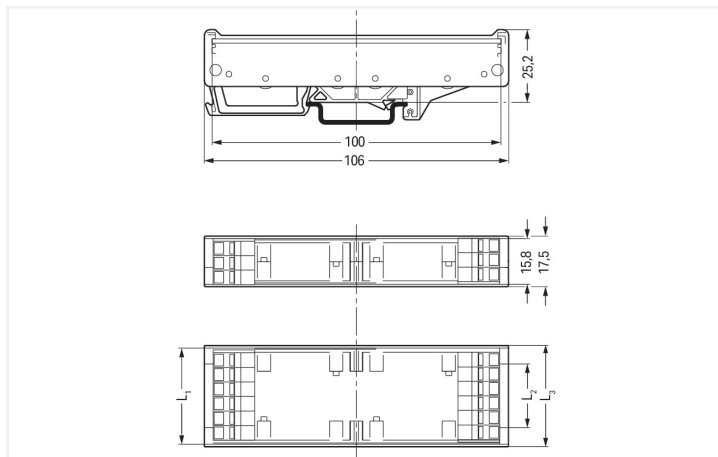
Track section; Size 2; 1 m long; gray

<https://www.wago.com/288-620>



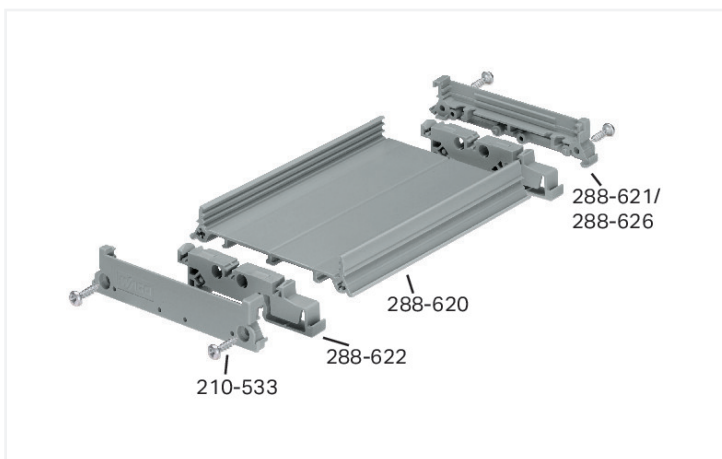
Color: ■ gray

Similar to illustration



Dimensions in mm

$L1 = \text{PCB/cover length}$
 $L2 = L1 - 15.8 \text{ mm}$ (L2 = carrier base length)
 $L3 = L1 + 2 \text{ mm}$



DIN-rail-mount PCB carrier, size 2

DIN-rail mount PCB carrier, size 2 – carrier base, size 2; 1 m long

Note

Note

Length calculation for a complete mounting carrier:

- PCB length: L1
- Base length: $L2 = L1 - 15.8 \text{ mm}$
- Mounting carrier length: $L3 = L1 + 2 \text{ mm}$
- Cover length: $L4 = L1$
- Lateral cover, size 2, 8.75 mm thick
- Free space between base and PCB (when using upper PCB groove): 5 mm
- PCB tolerances: $1.5 \text{ mm} \pm 0.2 \text{ mm}$ (thickness), $\pm 0.2 \text{ mm}$ (length/width), $-0.1/+0.3$ for milling contours

Physical data

Width	1000 mm / 39.37 inches
Height	100 mm / 3.937 inches

Mechanical data

Mounting type	DIN-35 rail
---------------	-------------

Material data

Color	gray
Housing material	PC/ABS

Commercial data

Product Group	6 (INTERFACE ELECTRONIC)
PU (SPU)	1 pcs
Packaging type	Box
Country of origin	DE
GTIN	4017332639477
Customs tariff number	39169010900

Product Classification

UNSPSC	39121702
eCl@ss 10.0	27-18-27-02
eCl@ss 9.0	27-18-27-02
ETIM 9.0	EC001031
ETIM 10.0	EC001031
ECCN	NO US CLASSIFICATION

Environmental Product Compliance

RoHS Compliance Status	Compliant, No Exemption
------------------------	-------------------------

Downloads

Environmental Product Compliance

Compliance Search	
Environmental Product Compliance 288-620	↓

CAD/CAE-Data

CAD data	CAE data
2D/3D Models 288-620	WSCAD Universe 288-620
↓	↓
	ZUKEN Portal 288-620
	↓

1 Compatible Products

1.1 Optional Accessories

1.1.1 Installation

1.1.1.1 Mounting accessories



[Item No.: 210-533](#)

Phillips screw 2.9 x 13

1.1.1.2 Mounting carrier and mounting feet



[Item No.: 288-627](#)

Cover; Size 2; 1 m long; transparent



[Item No.: 288-622](#)

Fixing foot for DIN 35 rail; gray



[Item No.: 288-626](#)

Lateral cover; Size 2; large; 8.75 mm thick; gray



[Item No.: 288-621](#)

Lateral cover; Size 2; small; 8.75 mm thick; gray