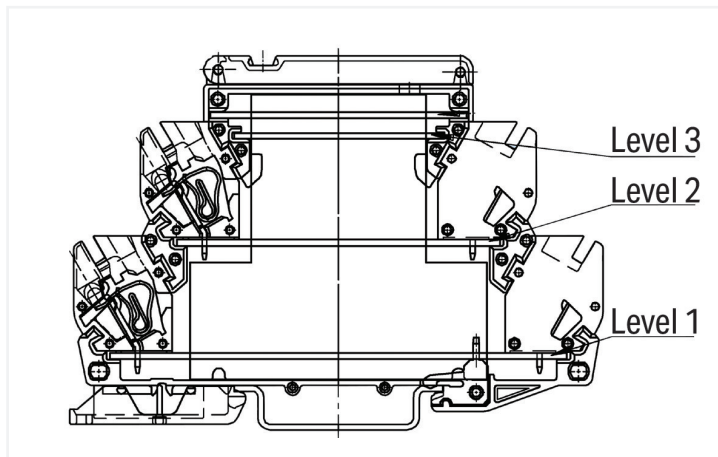
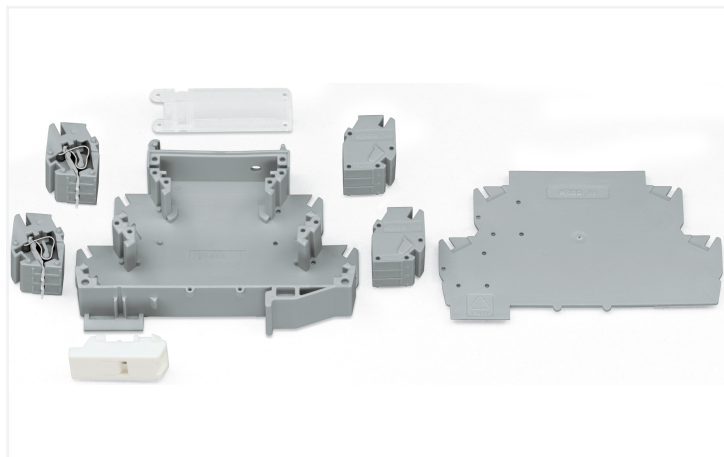


Data Sheet | Item Number: 789-122

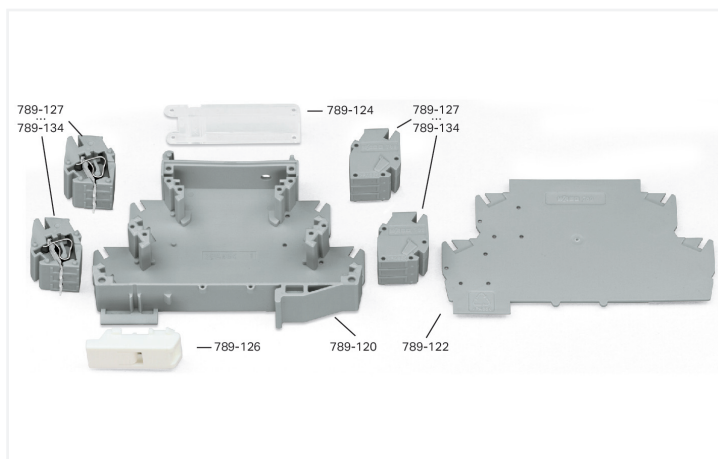
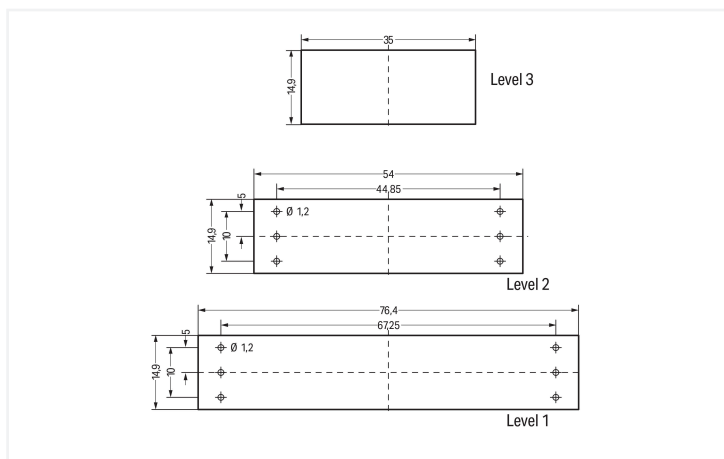
Top cover 55 mm; gray

<https://www.wago.com/789-122>



Color: ■ gray

Similar to illustration



PCB dimensions, vertical mounting: (PCB thickness max. 1.5 mm) in level 1; (PCB thickness max. 1 mm) in level 2 and 3

Universal modular component plug housing as rail-mount terminal block – 55 mm cover

Mechanical data

Housing design

DIN-rail-mount enclosure

Suitable

for 789-120

Material data	
Color	gray

Commercial data	
Product Group	6 (INTERFACE ELECTRONIC)
PU (SPU)	25 (1) pcs
Packaging type	Box
Country of origin	DE
GTIN	4044918112857
Customs tariff number	39269097900

Product Classification	
UNSPSC	39121324
eCl@ss 10.0	27-18-27-02
eCl@ss 9.0	27-18-27-02
ETIM 9.0	EC001031
ETIM 10.0	EC001031
ECCN	NO US CLASSIFICATION

Environmental Product Compliance	
RoHS Compliance Status	Compliant, No Exemption

Downloads

Environmental Product Compliance

Compliance Search	
Environmental Product Compliance 789-122	↓

CAD/CAE-Data

CAD data	
2D/3D Models 789-122	↓

CAE data	
WSCAD Universe 789-122	↓
ZUKEN Portal 789-122	↓

1 Compatible Products

1.1 Optional Accessories

1.1.1 Installation

1.1.1.1 DIN-rail-mount enclosure



Item No.: 789-120

Housing 55 mm; gray