

# Concord

## Raiden IP66 40KLM 830 Asymmetric Wide 2824022



### Features

- Outdoor and indoor floodlight range with in house design, comes complete with 1m flying lead and adjustable bracket, aluminium housing, RAL 9022 - Pearl light grey, clear glass diffuser, IP66, IK08, Class I, 3000K, Non-dimming, 38700lm, 294W, 132lm/W, CRI80, Asymmetric Wide beam angle 110\*50°, 100000 hrs L90B50 lifespan, 561x569x76mm (LxWxH) dimensions, 13.4kg weight. Ball-impact-resistance according to DIN57710-13 VDE 0710 13/5.81, DIN 18032-3 only with the separate wire guard accessory fitted.

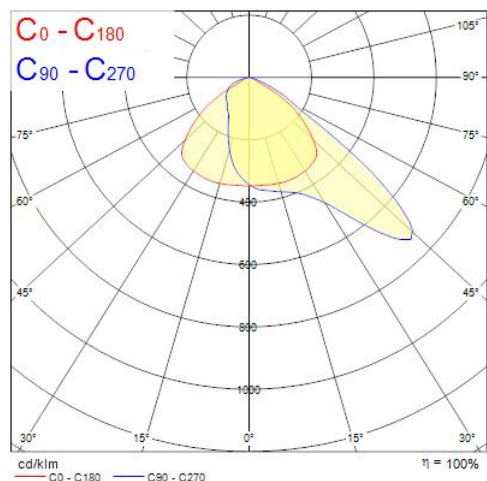
### Product Overview

|                                 |                                       |
|---------------------------------|---------------------------------------|
| Product name                    | Raiden IP66 40KLM 830 Asymmetric Wide |
| Technology                      | LED                                   |
| Cap/Base                        | N/A                                   |
| Housing                         | Aluminium                             |
| Fixture luminous flux (lm)      | 38700                                 |
| Luminaire efficacy (lm/W)       | 132                                   |
| Colour temperature (K)          | 3000                                  |
| Light colour                    | Warm White                            |
| CRI (Ra)                        | 80                                    |
| Colour Variation Initial (SDCM) | 3                                     |
| Beam Angle (°)                  | 110*50                                |
| Photobiological Risk Group      | RG2                                   |
| Total power consumption (W)     | 294                                   |
| Electrical protection           | Class I                               |
| Housing colour                  | RAL 9022 - Pearl light grey           |
| IP rating                       | IP66                                  |
| IK rating                       | IK08                                  |
| Product EAN number              | 5025768240227                         |
| Warranty                        | 5 years                               |

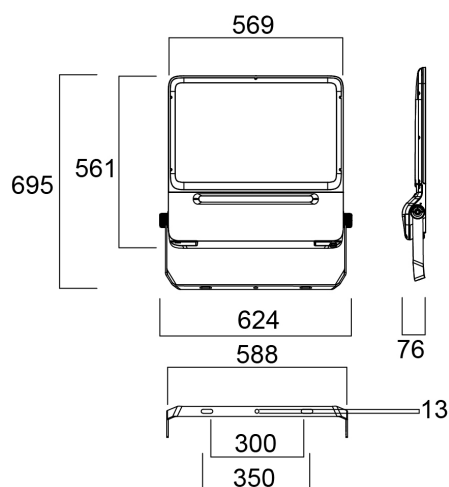
# Concord

## Raiden IP66 40KLM 830 Asymmetric Wide 2824022

### Photometry



### Technical drawings



### Data table

#### GENERAL DATA

Product name

Raiden IP66 40KLM 830 Asymmetric Wide

# Concord

## Raiden IP66 40KLM 830 Asymmetric Wide 2824022

|   |               |
|---|---------------|
| Technology                              | LED           |
| Cap/Base                                | N/A           |
| Housing                                 | Aluminium     |
| Operating temperature range (°C)        | -40°C...+50°C |
| Performance ambient temperature Tq (°C) | 25            |
| Warranty                                | 5 years       |

### OPTICAL DATA

|                                 |            |
|---------------------------------|------------|
| Fixture luminous flux (lm)      | 38700      |
| Luminaire efficacy (lm/W)       | 132        |
| Colour temperature (K)          | 3000       |
| Light colour                    | Warm White |
| CRI (Ra)                        | 80         |
| Colour Variation Initial (SDCM) | 3          |
| Beam Angle (°)                  | 110*50     |
| Photobiological Risk Group      | RG2        |

### ELECTRICAL DATA

|  |         |
|--|---------|
| Total power consumption (W)                              | 294     |
| Lamp power factor  | 0.95    |
| Electrical protection                                    | Class I |
| Control gear required                                    | No      |
| Drive current (mA)                                       | 6000    |
| Inrush Current (A)                                       | 110     |
| Inrush Duration (µs)                                     | 200     |
| Glow Wire Test (°C)                                      | 850     |
| Energy Efficiency Class (A->G) of contained light source | E       |
| Nominal Frequency (Hz)                                   | 50/60Hz |
| Max. products per 10A C Breaker                          | 3       |
| Max. products per 20A B Breaker                          | 3       |
| Mains surge immunity (differential mode -> L-N) (kV)     | 6       |

# Concord

## Raiden IP66 40KLM 830 Asymmetric Wide 2824022

|  |    |
|--|----|
| Mains surge immunity (common mode -> L/N - GND) (kV) | 10 |
|--|----|

### LIFETIME DATA

|                  |        |
|------------------|--------|
| Lifespan L70 B50 | 100000 |
| Lifespan L80 B20 | 89000  |
| Lifespan L90 B50 | 100000 |

### PHYSICAL DATA

|                             |                             |
|-----------------------------|-----------------------------|
| Housing colour              | RAL 9022 - Pearl light grey |
| IP rating                   | IP66                        |
| IK rating                   | IK08                        |
| Nominal Product Length (mm) | 561                         |
| Nominal Product Width (mm)  | 569                         |
| Weight (kg)                 | 13.4                        |

### PACKAGING

|                                      |                |
|--------------------------------------|----------------|
| Single packaging type                | Carton         |
| Product EAN number                   | 5025768240227  |
| Packaging single width (cm)          | 63.0           |
| Packaging single depth (cm)          | 14.0           |
| DUN14 (outer)                        | 05025768240227 |
| Packaging outer length / height (cm) | 63.0           |

### SAFETY DATA

|                                     |        |
|-------------------------------------|--------|
| Optimal operating condition (°C)    | -40-50 |
| Special purpose lamp                | No     |
| Dry applications use only           | No     |
| Suitable for household illumination | No     |