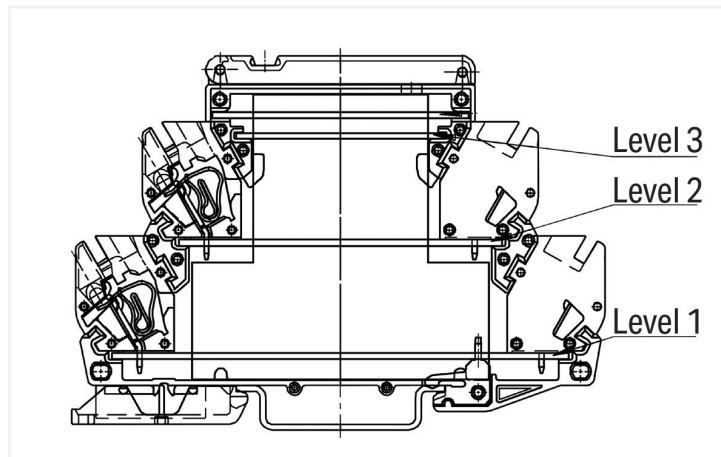
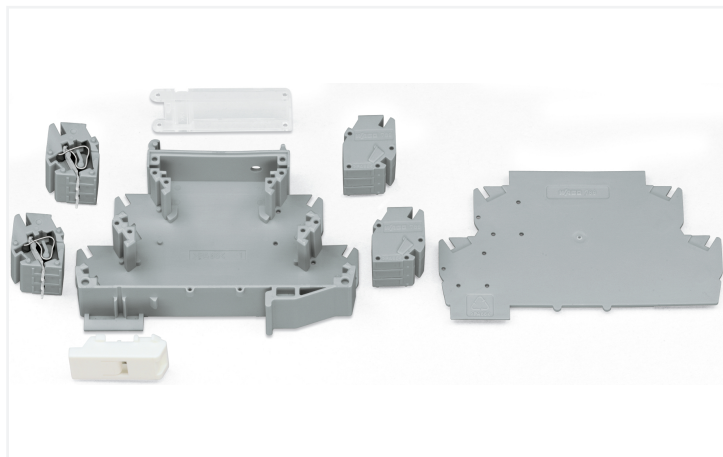


Data Sheet | Item Number: 789-131

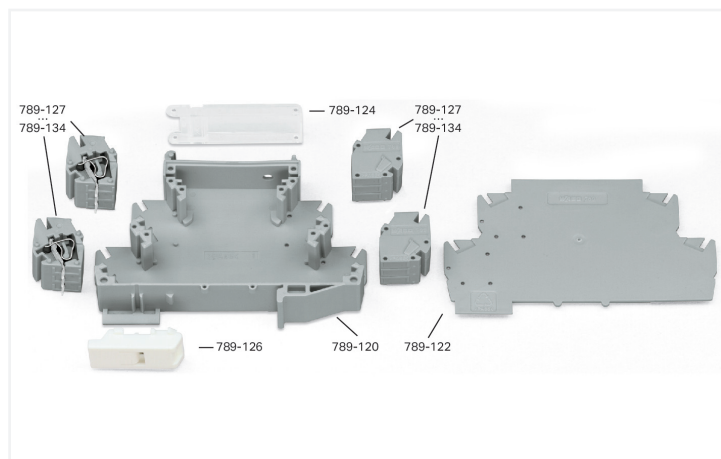
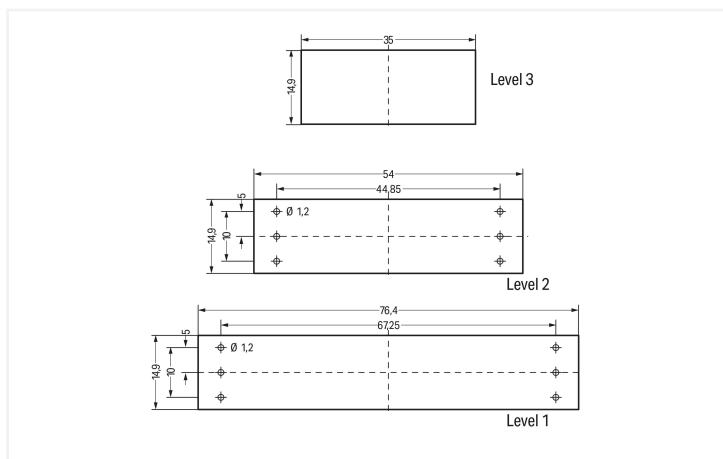
PCB terminal block; 2.5 mm²; Pin spacing 5 mm; 3-pole; CAGE CLAMP®; gray

<https://www.wago.com/789-131>



Color: ■ gray

Similar to illustration



PCB dimensions, vertical mounting: (PCB thickness max. 1.5 mm) in level 1; (PCB thickness max. 1 mm) in level 2 and 3

Universal modular component plug housing, as rail-mount terminal block – compact terminal block, 3-pole: OCO*
 (*C = with clamping spring; O = without clamping spring; Housing open on the right side)

Connection Data

Pole number	3
Connections (number)	1



Mechanical data

Housing design	DIN-rail-mount enclosure
Suitable	for 789-120

Material data

Color	gray
-------	------

Commercial data

PU (SPU)	100 (1) pcs
Packaging type	Box
Country of origin	DE
GTIN	4044918611848
Customs tariff number	85369010000

Product Classification


UNSPSC	39121409
eCl@ss 10.0	27-18-27-02
eCl@ss 9.0	27-18-27-02
ETIM 9.0	EC001031
ETIM 10.0	EC001031
ECCN	NO US CLASSIFICATION

Environmental Product Compliance


RoHS Compliance Status	Compliant, No Exemption
------------------------	-------------------------



Downloads

Environmental Product Compliance

Compliance Search
Environmental Product Compliance 789-131 

CAD/CAE-Data

CAD data
2D/3D Models 789-131 

CAE data
WSCAD Universe 789-131 
ZUKEN Portal 789-131 

1 Compatible Products

1.1 Optional Accessories

1.1.1 System enclosure

1.1.1.1 DIN-rail-mount enclosure



Item No.: [789-120](#)

Housing 55 mm; gray