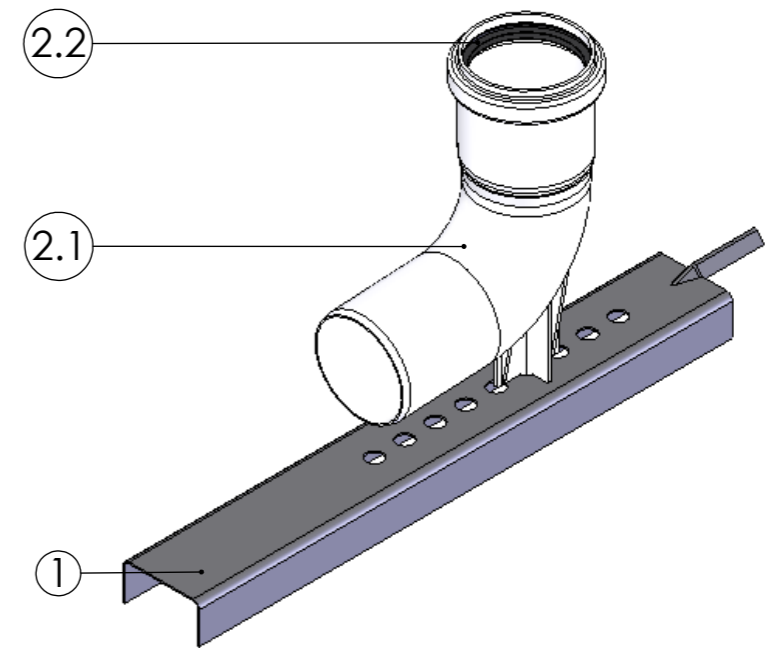
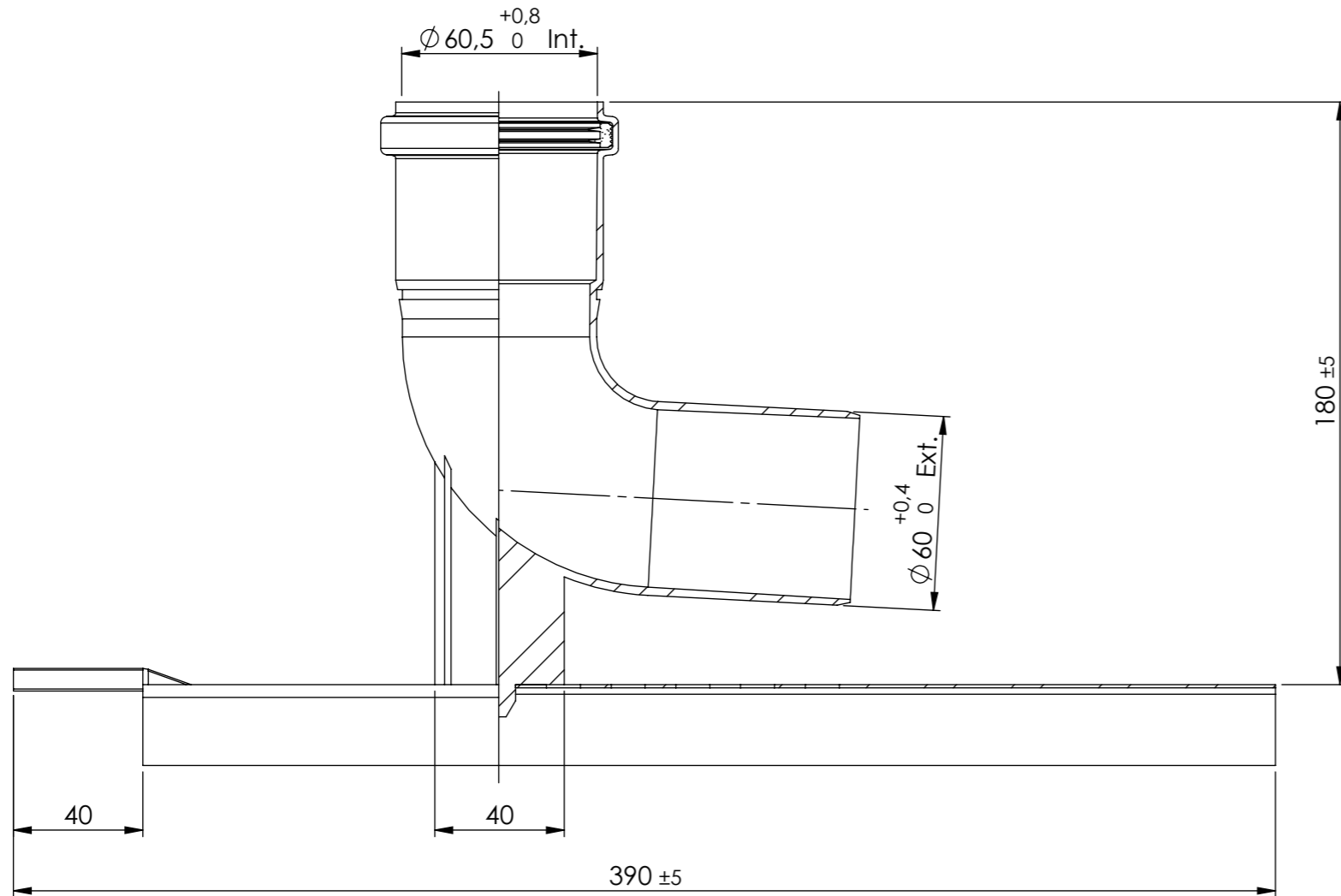
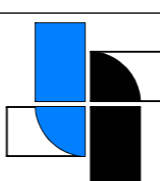
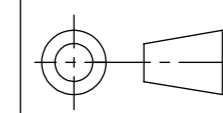


This drawing is property of Cox Geelen and may not be copied in whole or in part without the prior written consent of the owner



Pos.	QTY.	Description	Material	Drawing	Part nr
2.2	1	Seal	EPDM	L0295	891358
2.1	1	Bend $\varnothing 60 - 87^\circ$	PPs	-	-
2	1	Shaft bend $\varnothing 60$	-	L0226	891296
1	1	Shaft bend support	DX52D+Z275-NA	08474	123653

Unit of measure:	mm	Name:	R.Houwen	Date:	14-12-2009	Material:	-
Scale:	1:2	Checked:	E.Franssen	Date:	14-12-2009	Mass[g]:	359.47
Title:						Comments:	
Bend $\varnothing 60$ with shaft support							
 Cox Geelen Emmastraat 92 6245 HZ Eijsden Nederland T: +31 (0) 43-4099500 F: +31 (0) 43-4091987		Tolerances:		Projection:		Part.no:	
		$\varnothing = \pm 0,5$ $L = \pm 3$ $\angle = \pm 3^\circ$				AKCR	
						Dwg. no. : A1131 P 00 A3	

00	Production drawing	09013	14-12-2009	RoHo
Revisions				