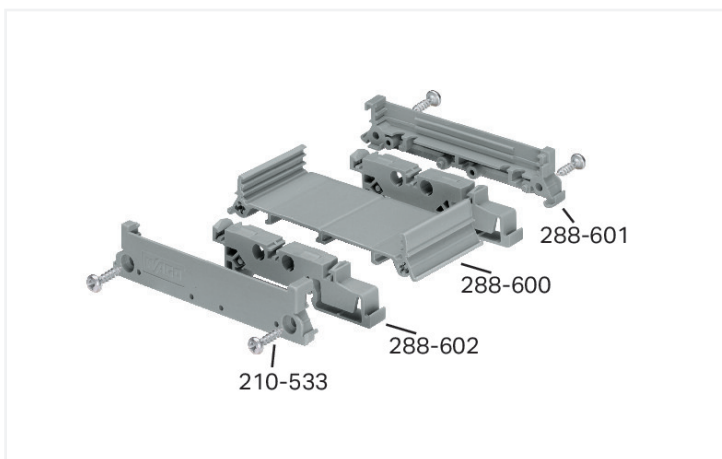


Color: ■ gray

Similar to illustration

Dimensions in mm
 $L1 = \text{PCB length}$
 $L2 = L1 - 11 \text{ mm}$ (L2 = carrier base length)
 $L3 = L1 + 2 \text{ mm}$



DIN-rail-mount PCB carrier, size 1

DIN-rail mount PCB carrier, size 1 – lateral cover, size 1; small; 6.35 mm thick

Physical data

| | |
|--------|-----------------------|
| Width | 6.35 mm / 0.25 inches |
| Height | 85 mm / 3.346 inches |

Mechanical data

| | |
|---------------|-------------|
| Mounting type | DIN-35 rail |
|---------------|-------------|

Material data

| | |
|------------------|--------|
| Color | gray |
| Housing material | PA 6.6 |

Commercial data

| | |
|-----------------------|--------------------------|
| Product Group | 6 (INTERFACE ELECTRONIC) |
| PU (SPU) | 24 (1) pcs |
| Packaging type | Box |
| Country of origin | DE |
| GTIN | 4017332612180 |
| Customs tariff number | 39269097900 |

Product Classification

| | |
|-------------|----------------------|
| UNSPSC | 39121702 |
| eCl@ss 10.0 | 27-18-27-02 |
| eCl@ss 9.0 | 27-18-27-02 |
| ETIM 9.0 | EC001031 |
| ETIM 10.0 | EC001031 |
| ECCN | NO US CLASSIFICATION |

Environmental Product Compliance

| | |
|------------------------|-------------------------|
| RoHS Compliance Status | Compliant, No Exemption |
|------------------------|-------------------------|

Downloads

Environmental Product Compliance

| | |
|--|-------------------|
| Compliance Search | |
| Environmental Product Compliance 288-601 | ↓ |

CAD/CAE-Data

| | |
|----------------------|-------------------|
| CAD data | |
| 2D/3D Models 288-601 | ↓ |

| | |
|------------------------|-------------------|
| CAE data | |
| WSCAD Universe 288-601 | ↓ |
| ZUKEN Portal 288-601 | ↓ |

1 Compatible Products

1.1 Optional Accessories

1.1.1 Installation

1.1.1.1 Mounting accessories



Item No.: 210-533

Phillips screw 2.9 x 13

1.1.1.2 Mounting carrier and mounting feet



Item No.: 288-602

Fixing foot for DIN 35 rail; gray



Item No.: 288-600

Track section; Size 1; 1 m long; gray