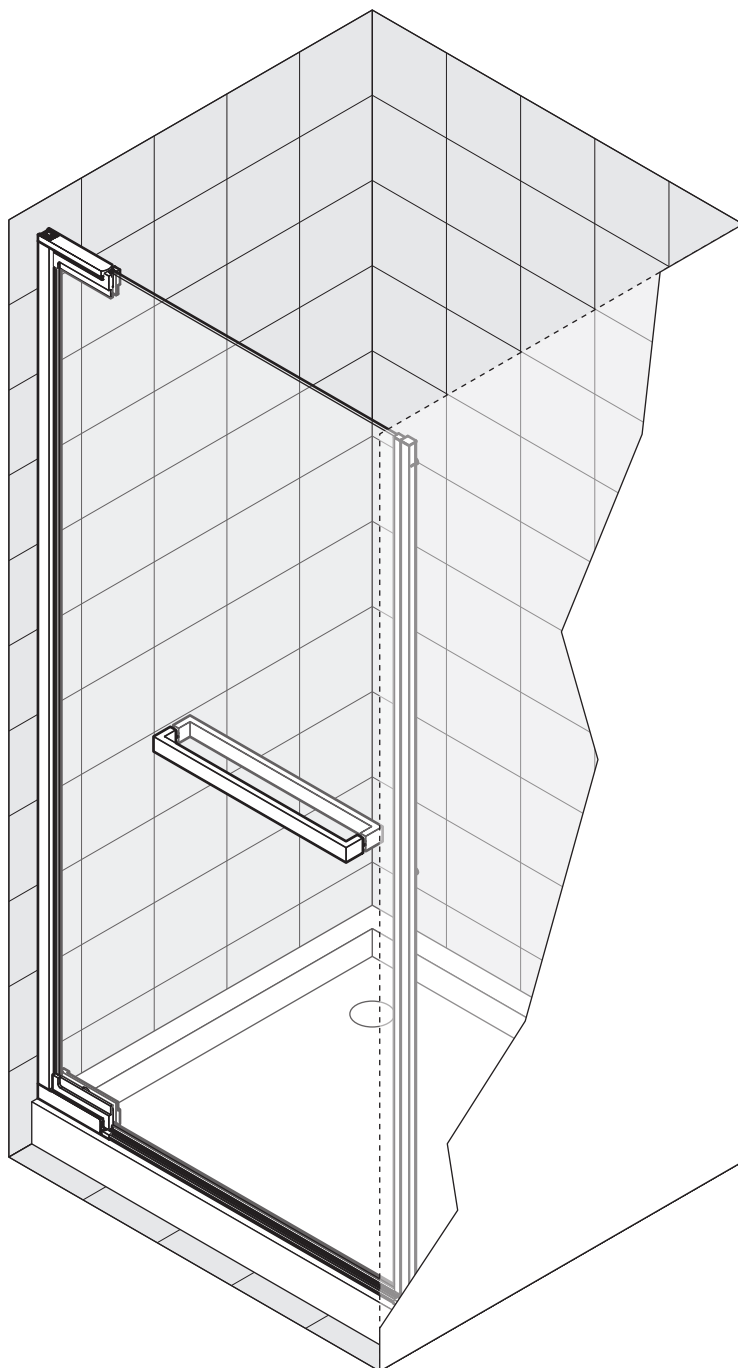


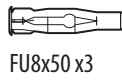
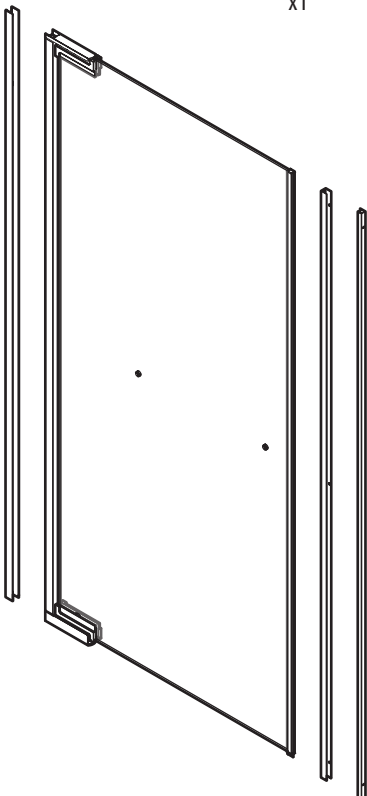
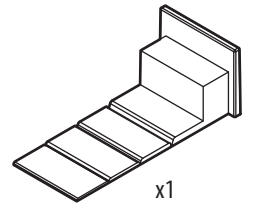
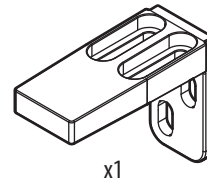
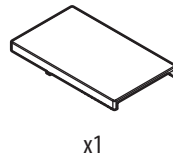
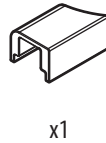
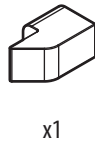
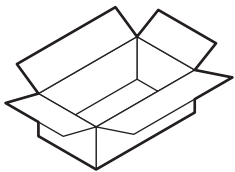
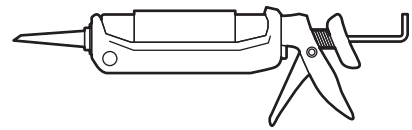
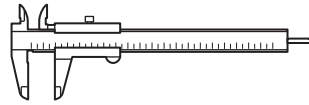
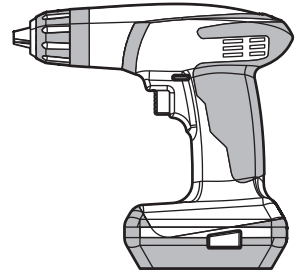
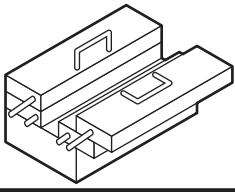
**N180**

 **NOVELLINI**

**1B**



<hr/> <hr/> <hr/> <hr/>	<hr/> <hr/> <hr/> <hr/>
-------------------------	-------------------------



FU8x50 x3



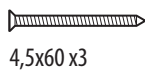
S6 x4



M4x10 x2



x6



4,5x60 x3



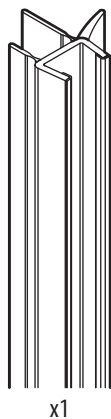
4x35 x4



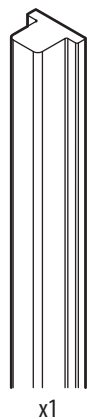
3,5x9,5 x6



x6



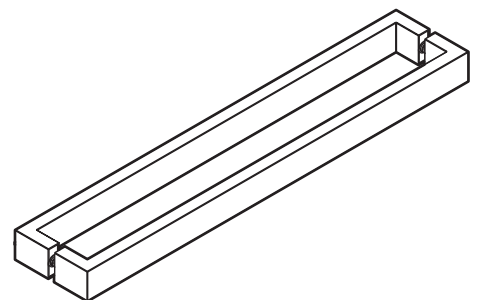
x1



x1



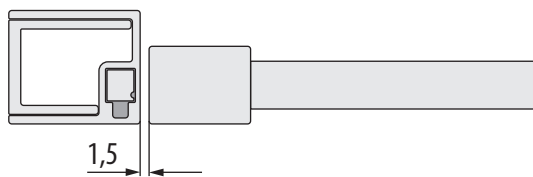
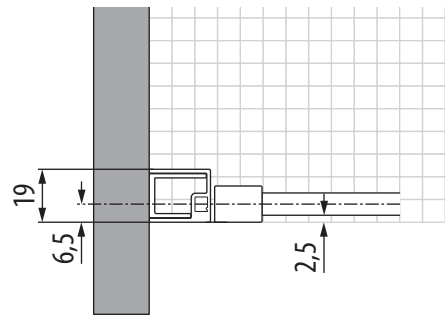
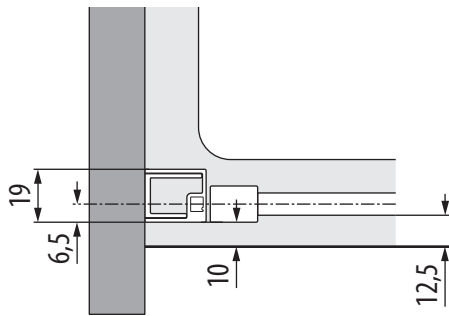
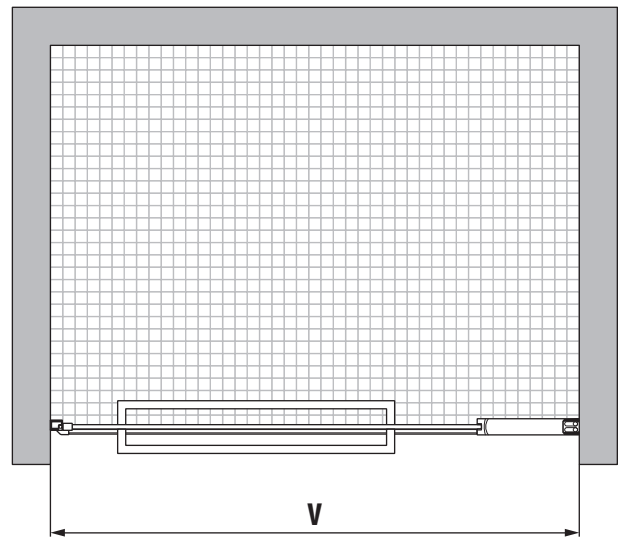
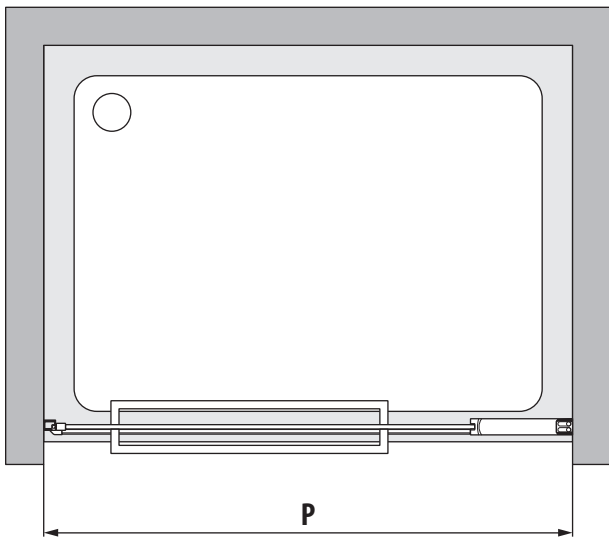
x1



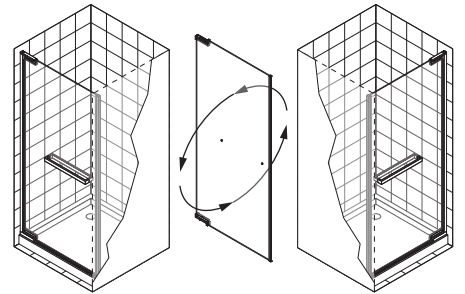
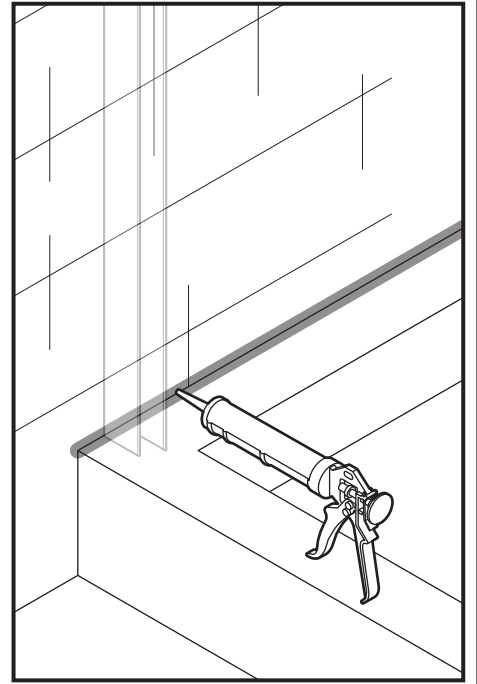
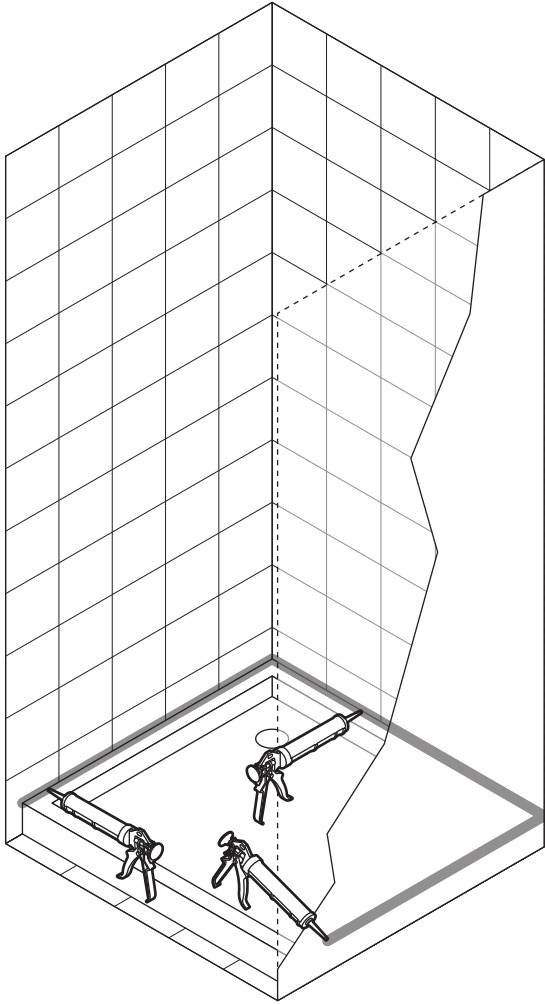
x1

1B	P
79	775-790
80	785-800
89	875-890
90	885-900
99	975-990
100	985-1000

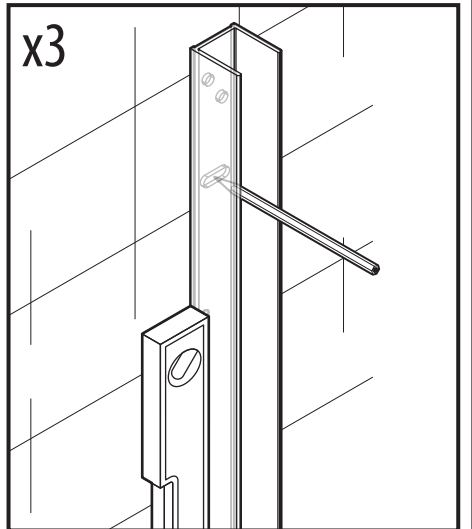
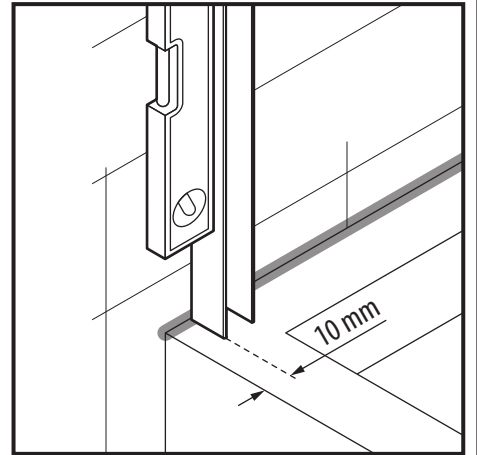
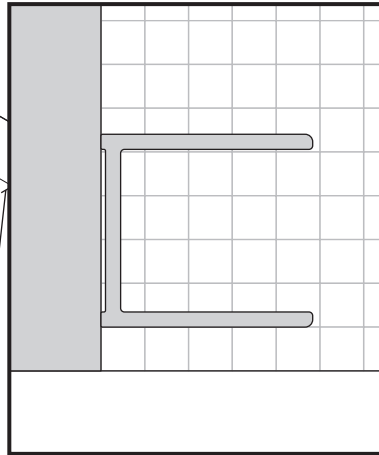
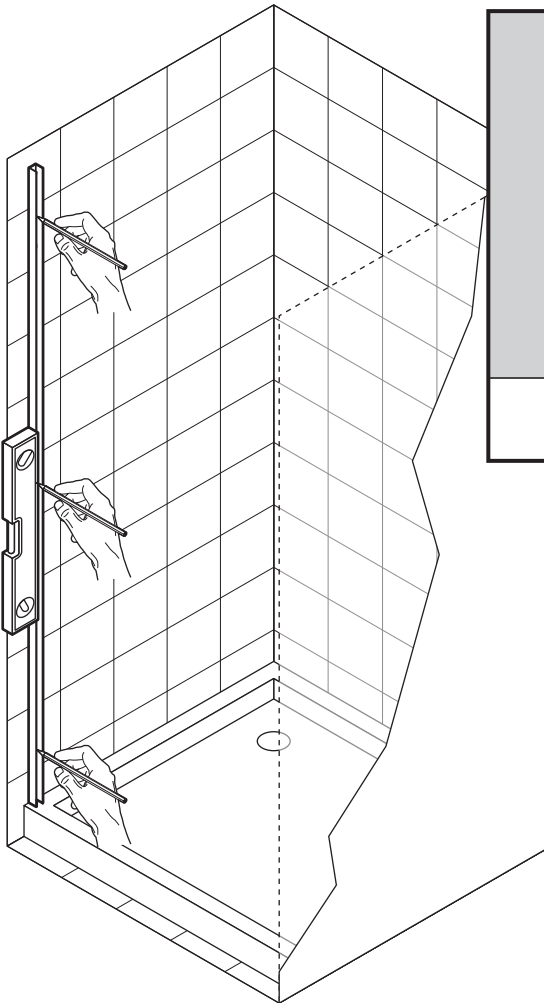
1B	V
79	775-790
80	785-800
89	875-890
90	885-900
99	975-990
100	985-1000



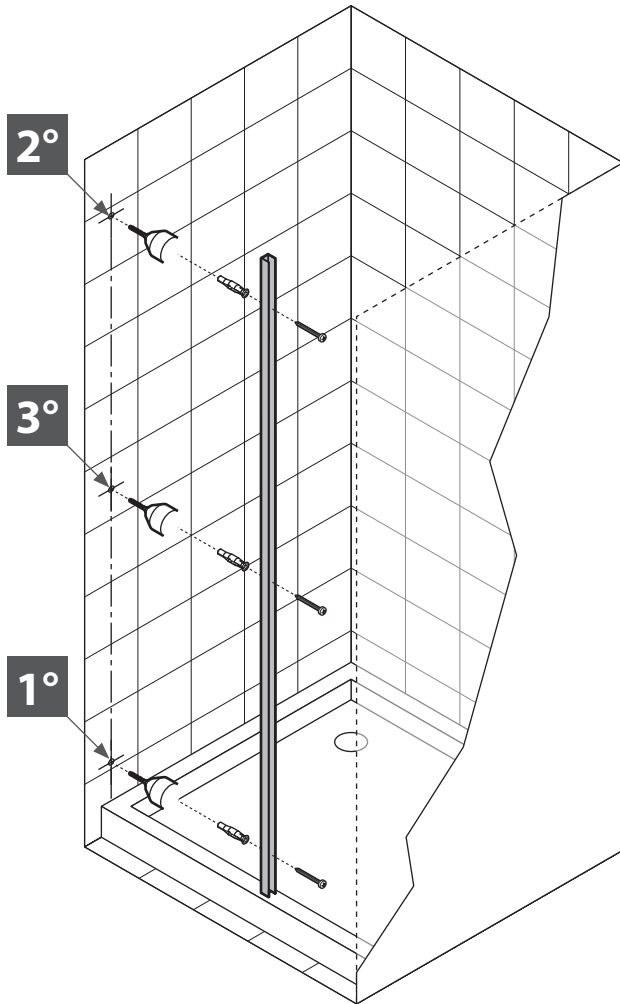
# 1



# 2



# 3



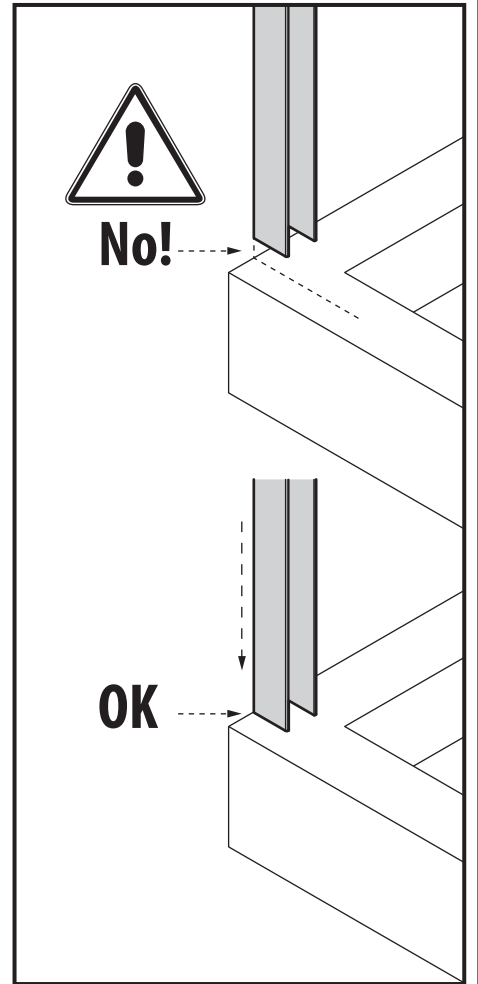
FU8x50 x3



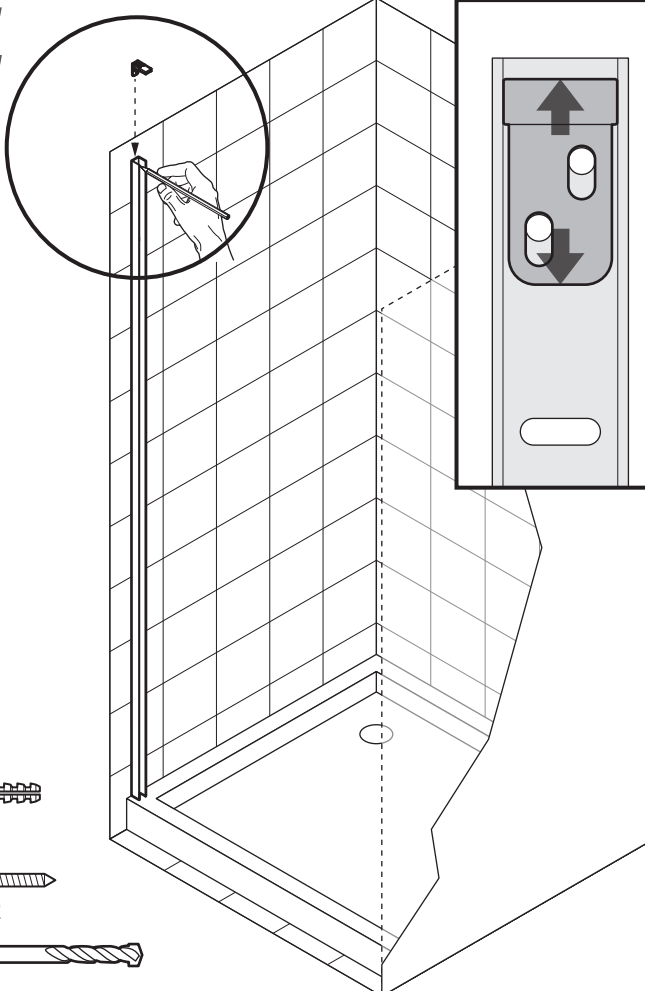
4,5x60 x3



ø8 mm



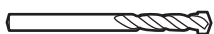
# 4



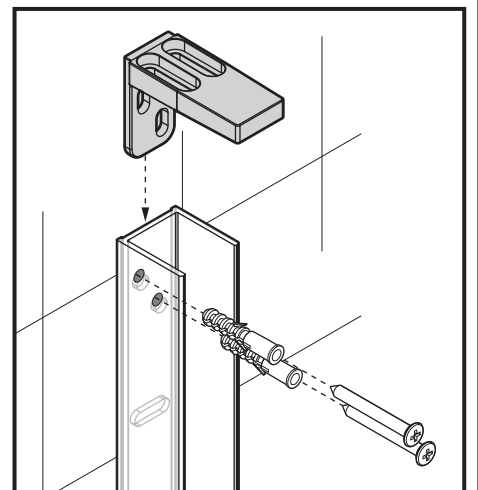
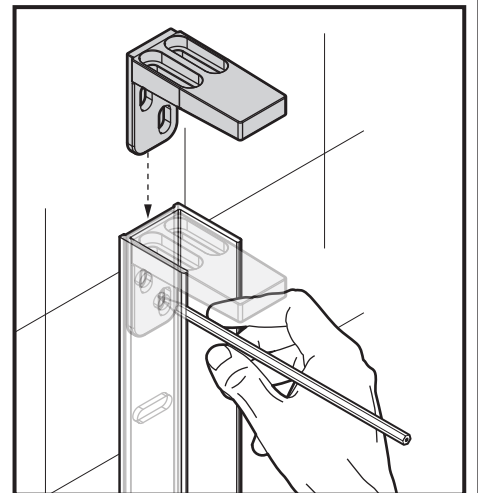
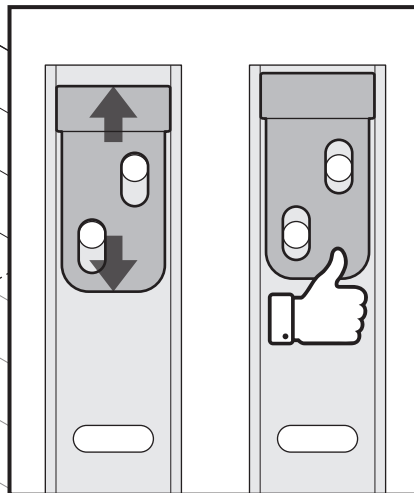
S6 x2



4x35 x2

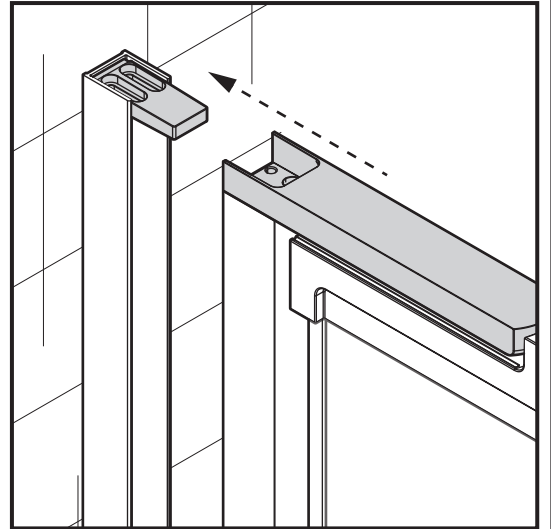
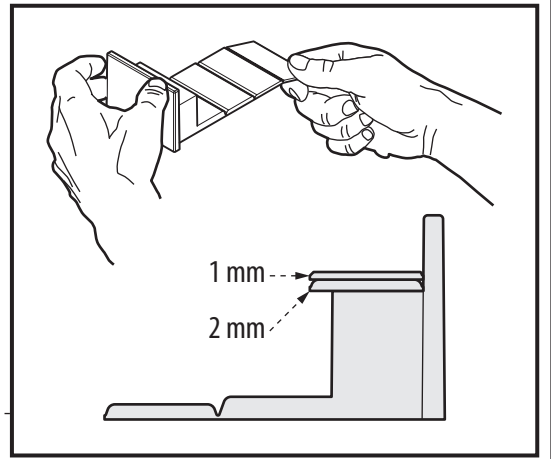
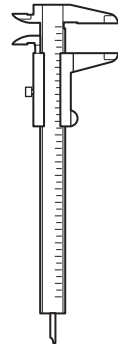
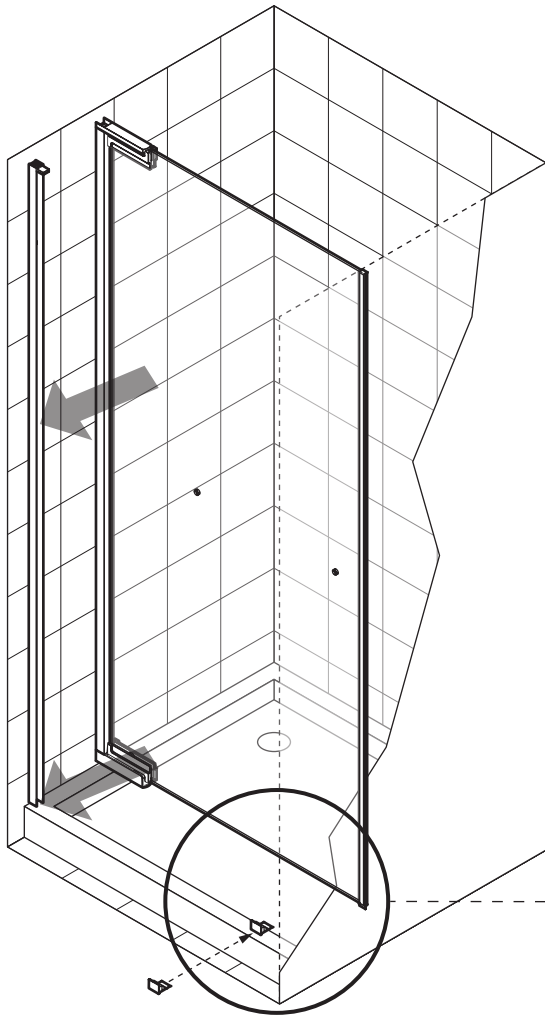


ø6 mm

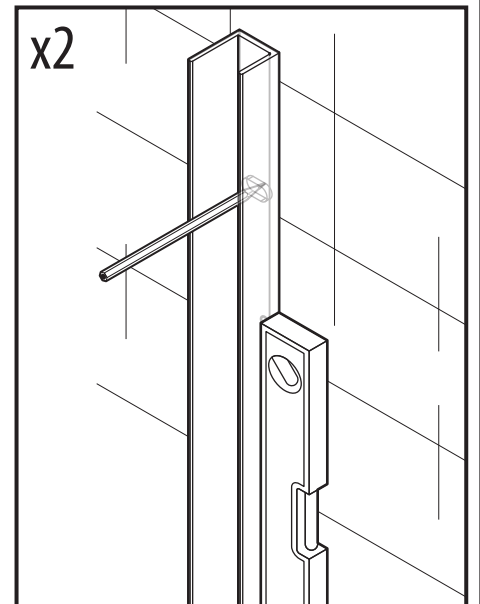
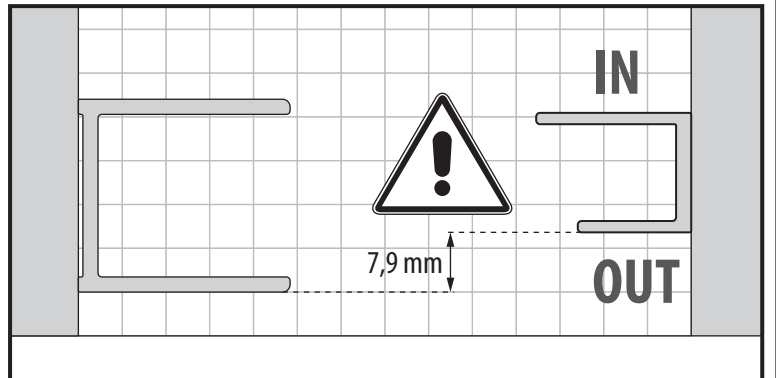
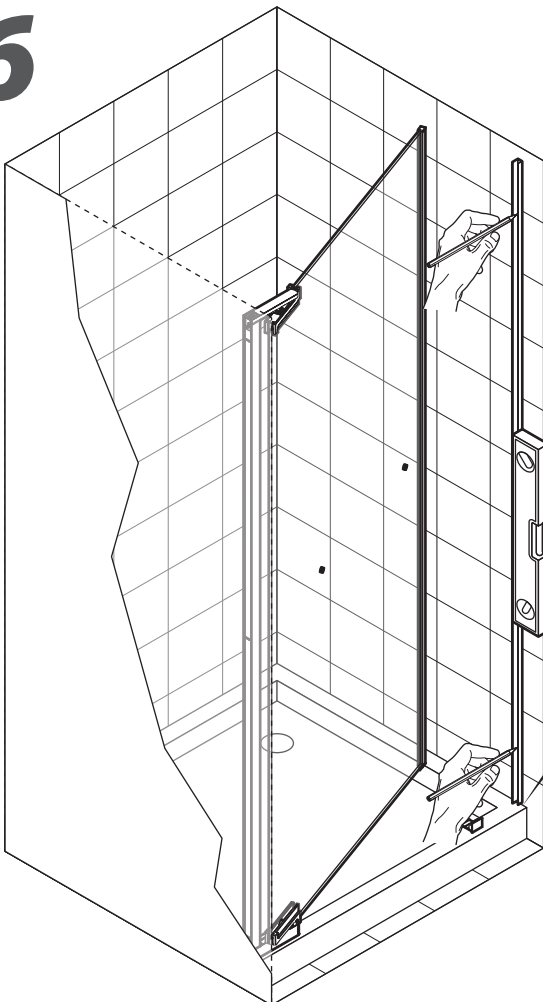


# 5

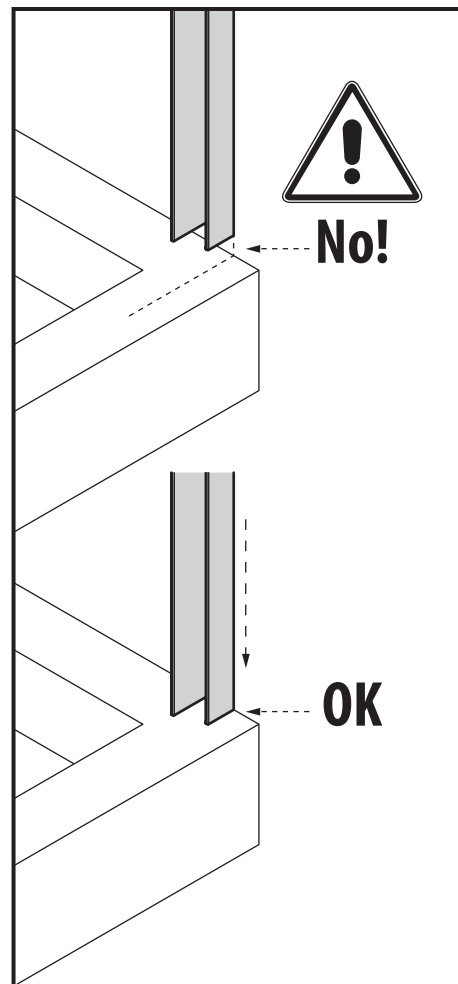
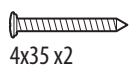
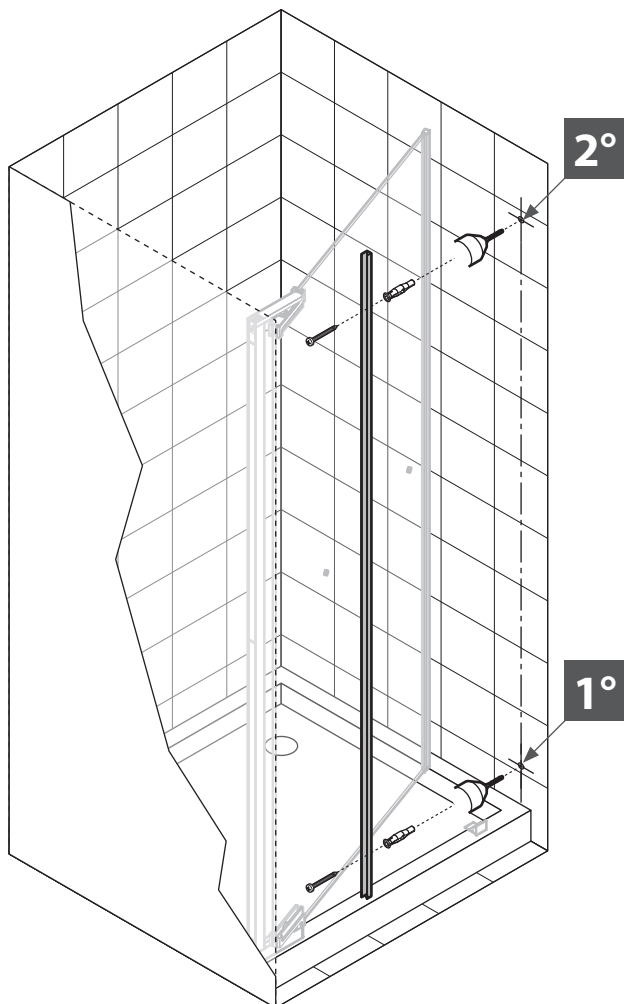
# 5



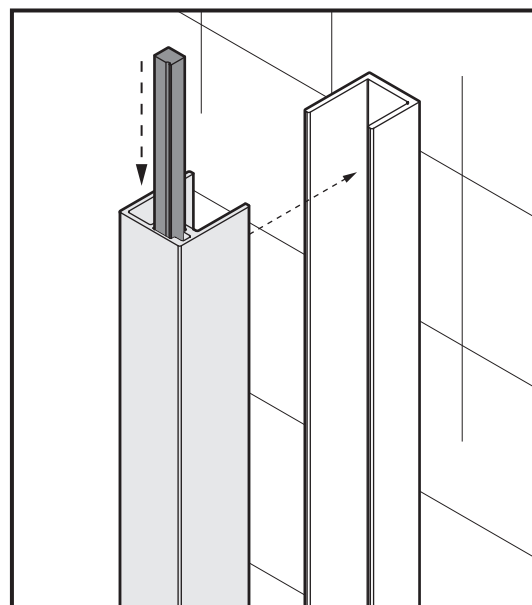
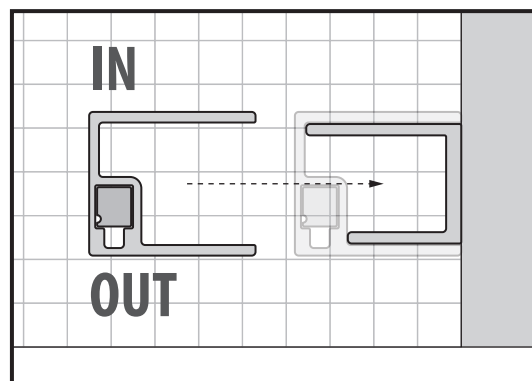
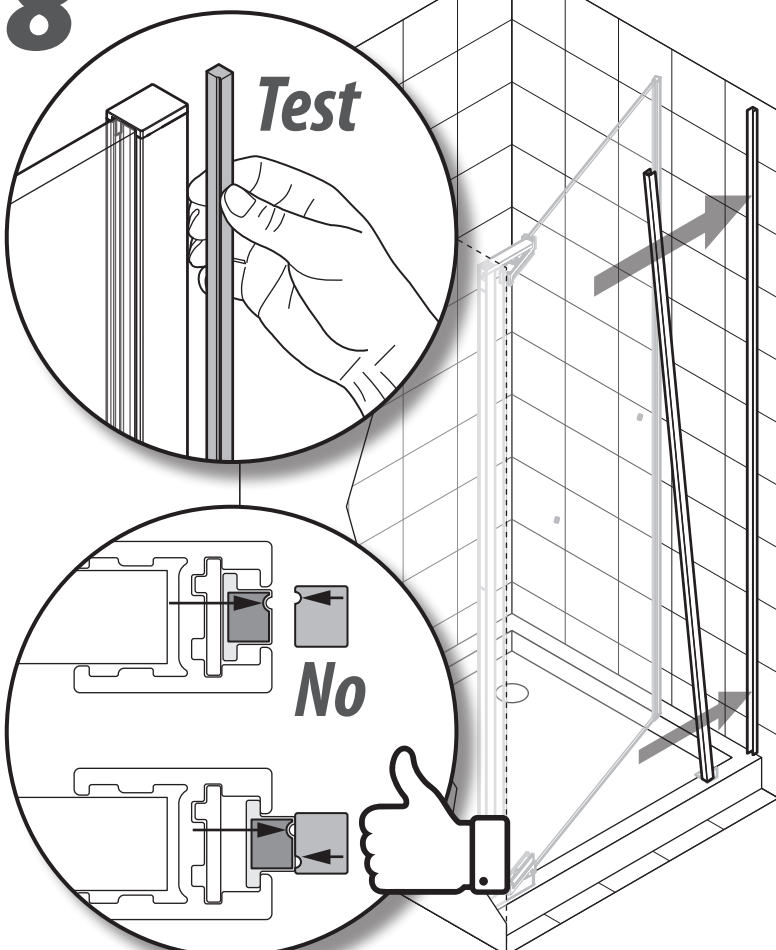
# 6



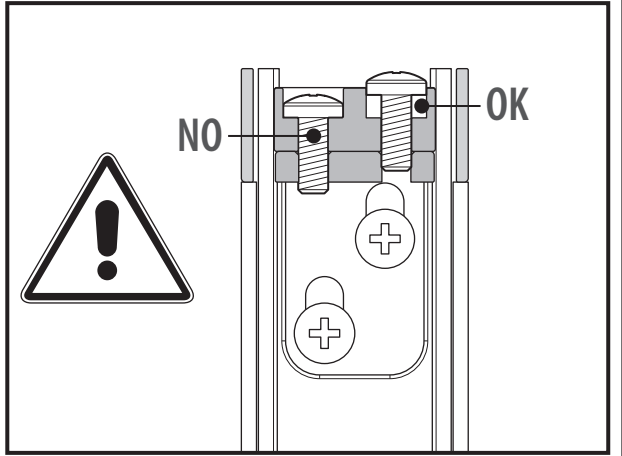
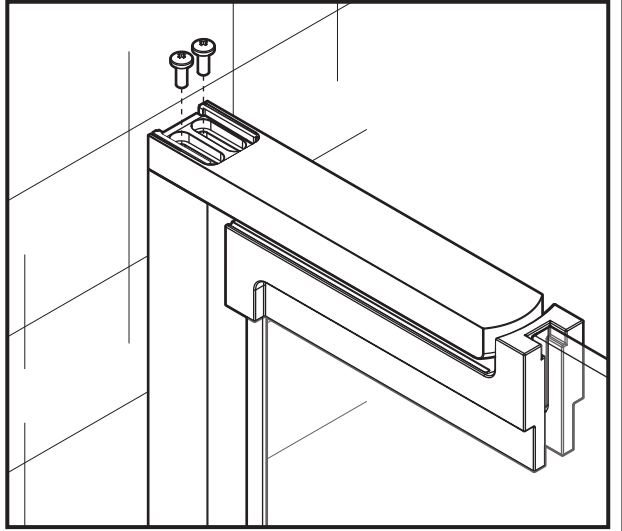
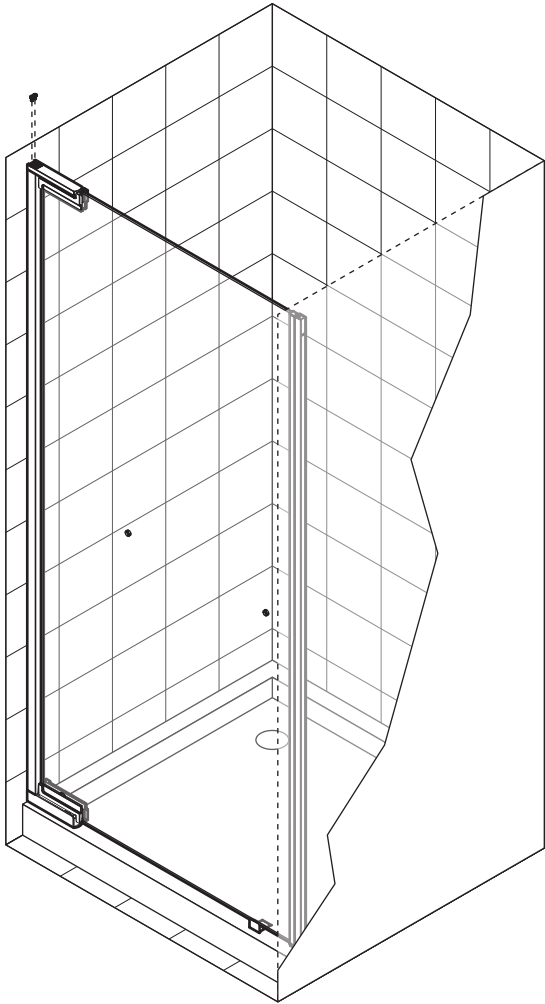
# 7



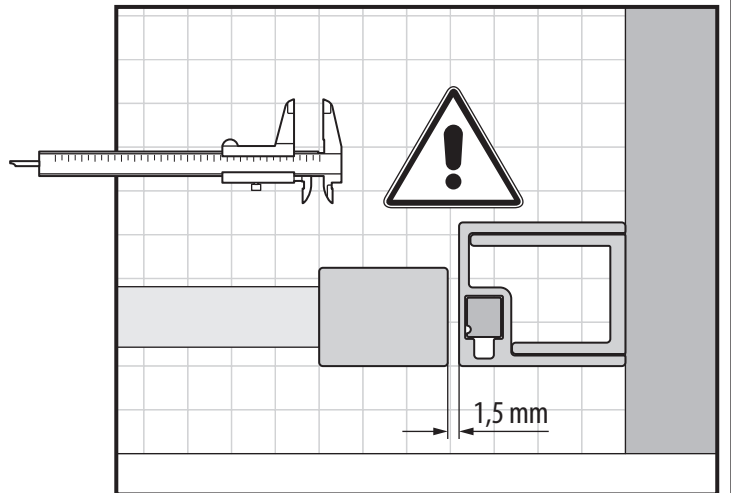
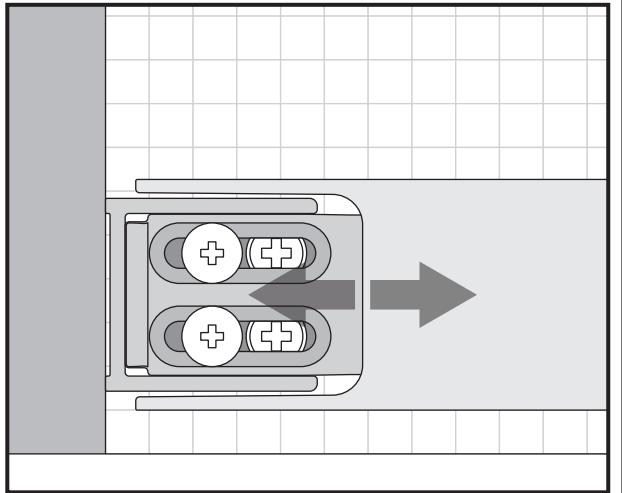
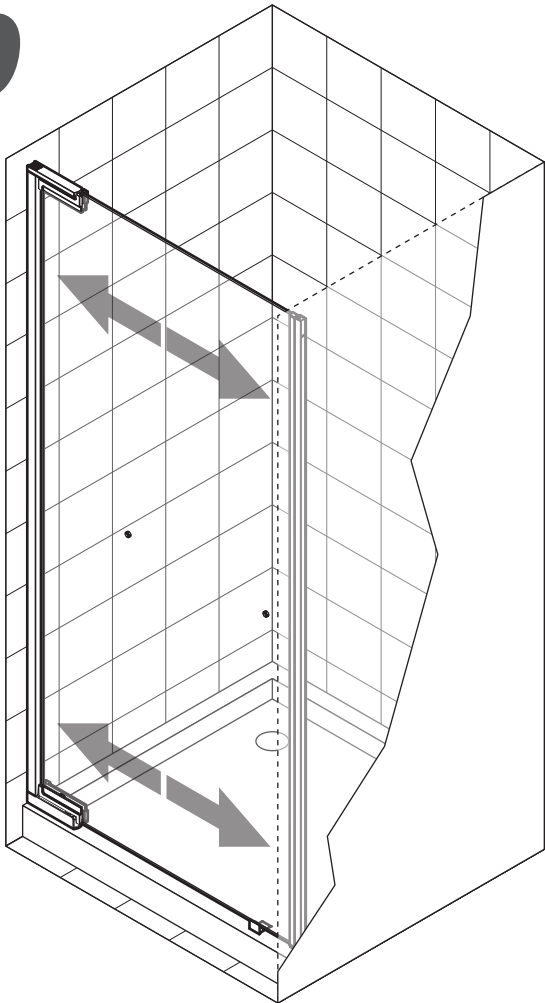
# 8



# 9

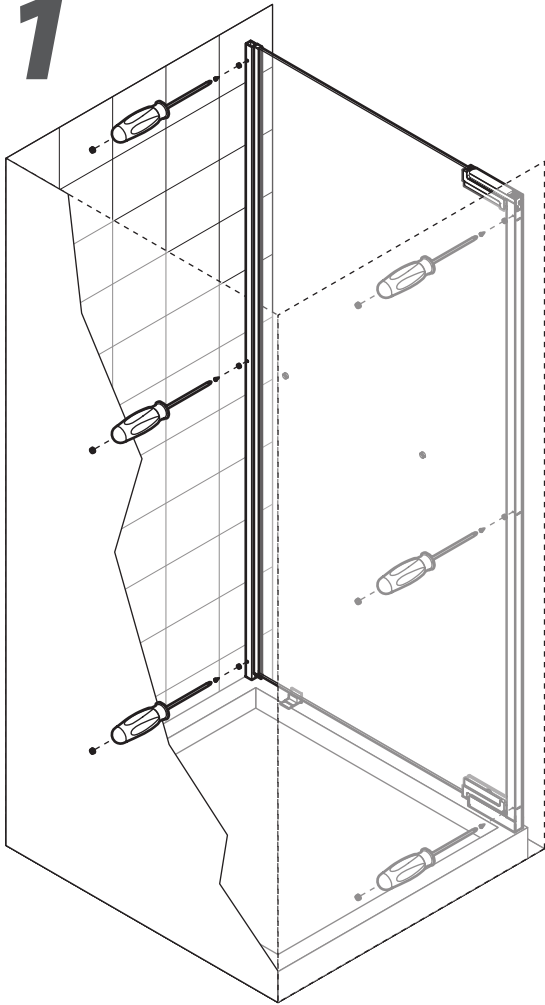


# 10

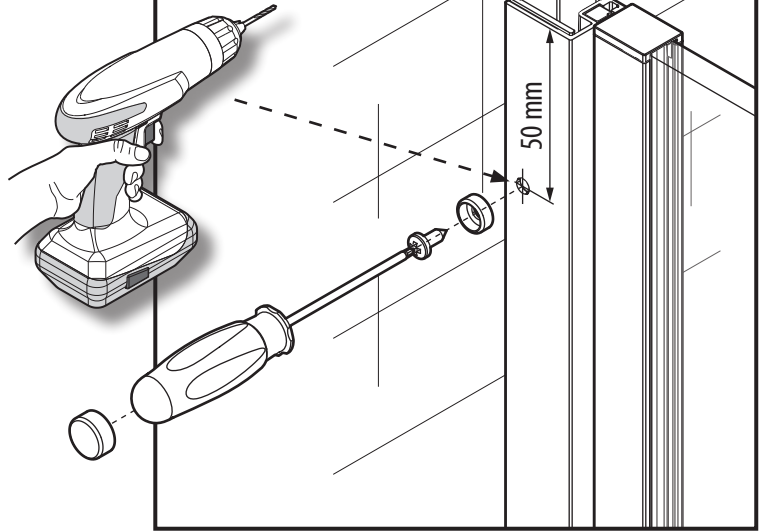




# 11



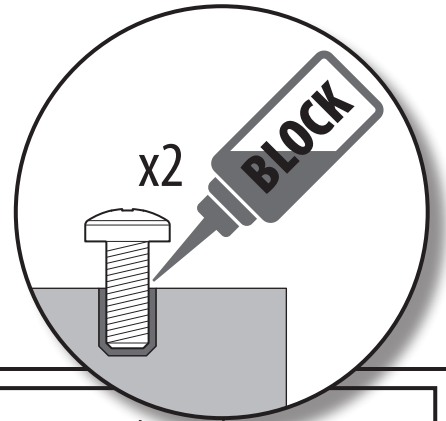
x6



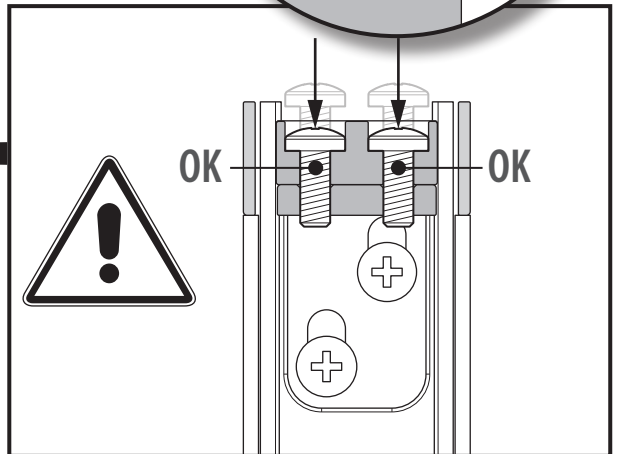
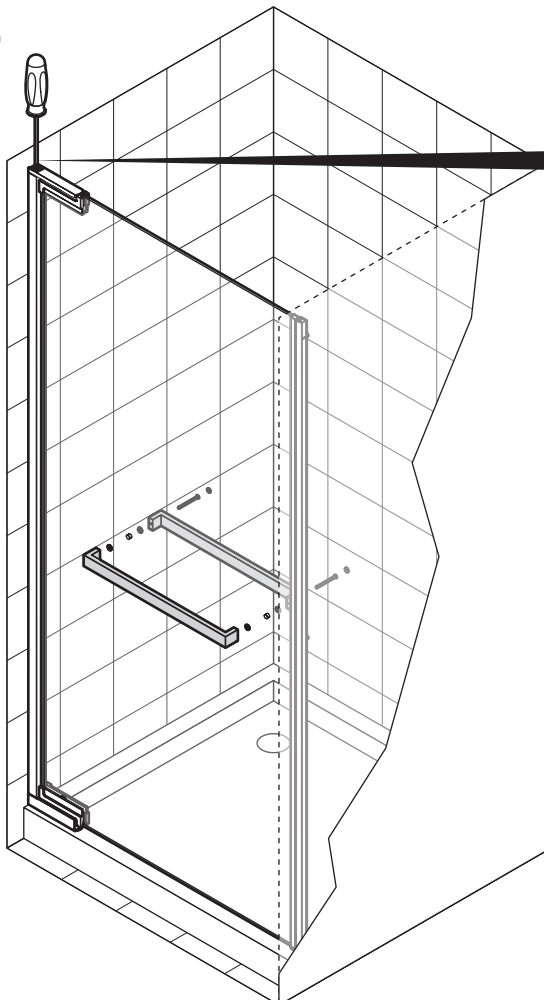
ø3 mm



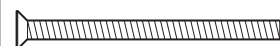
3,5x9,5 x6



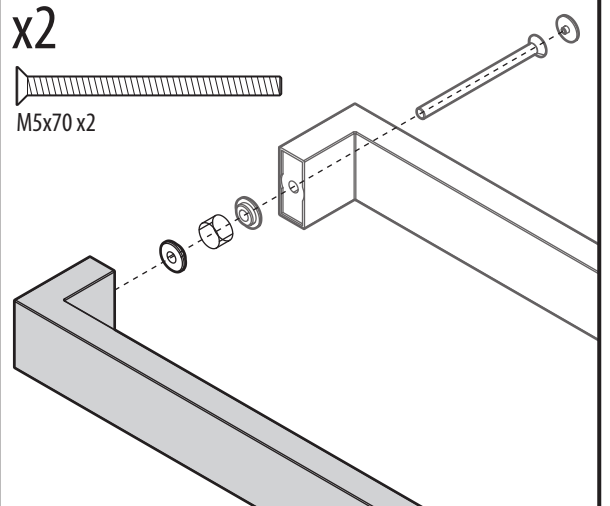
# 12



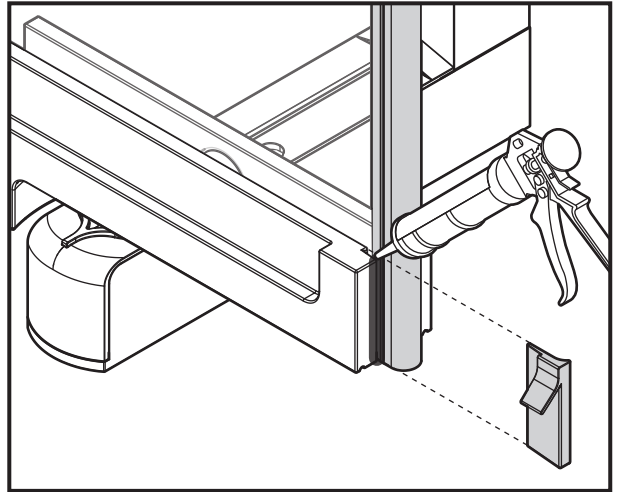
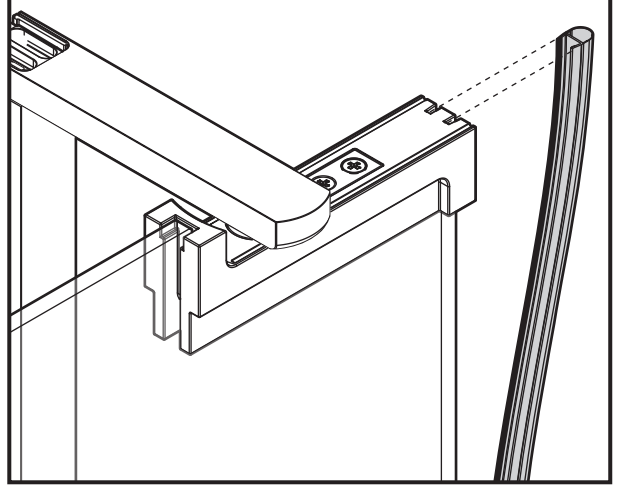
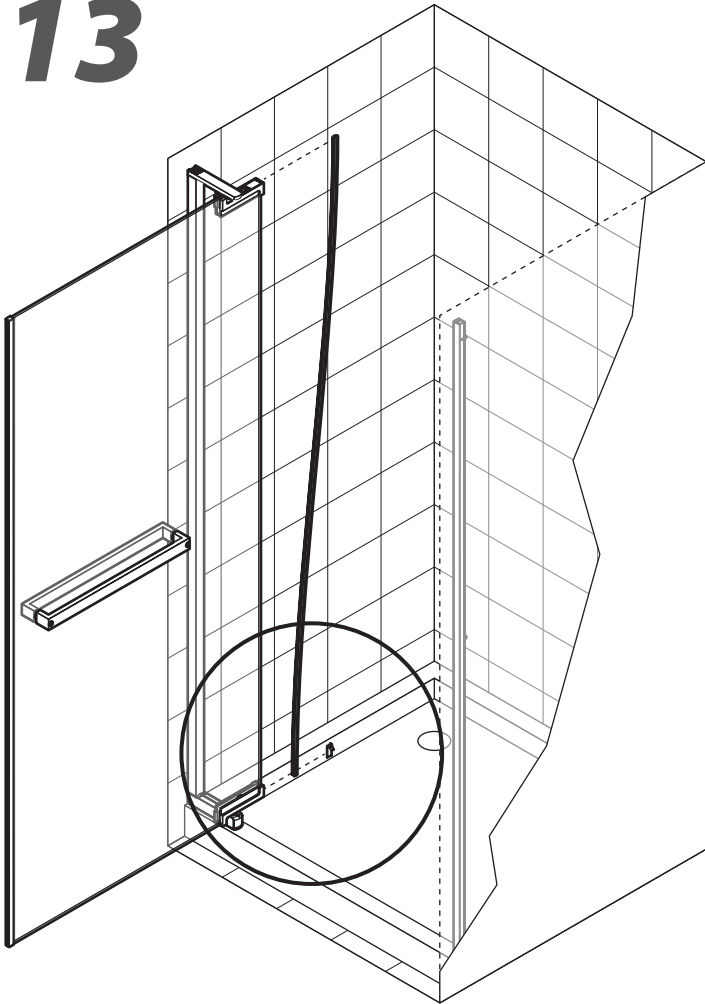
x2



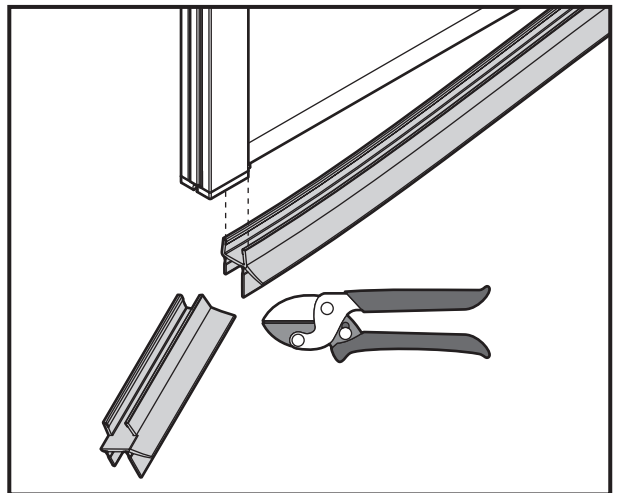
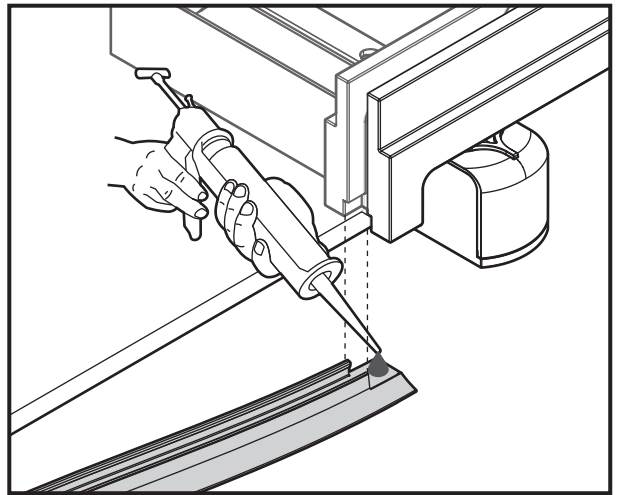
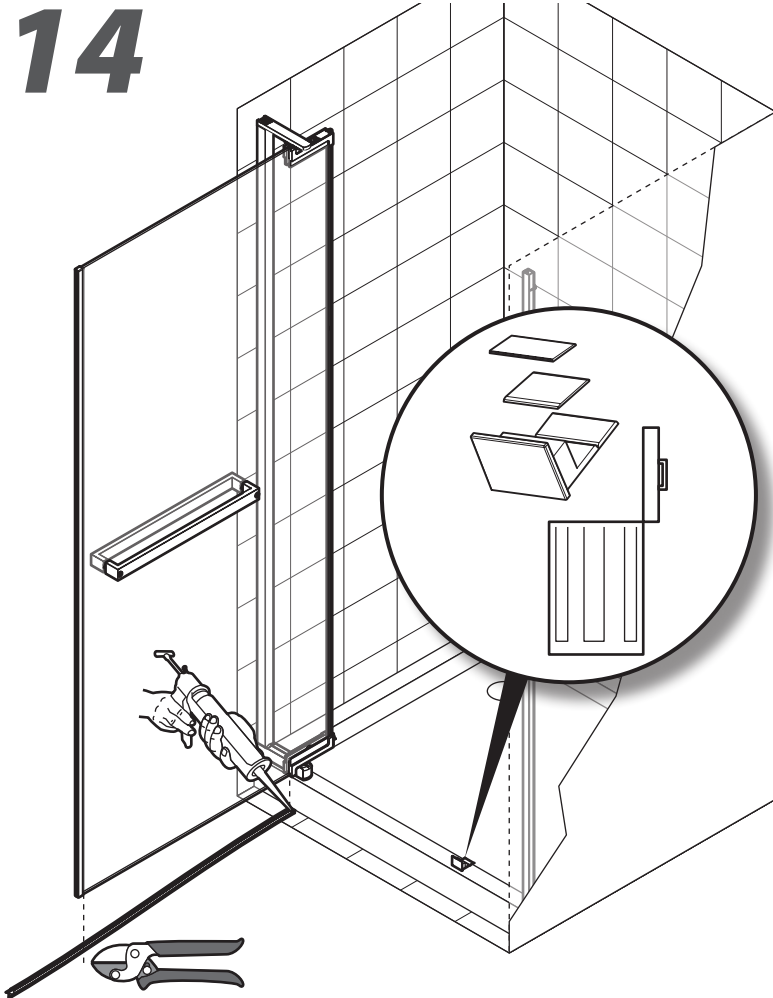
M5x70 x2



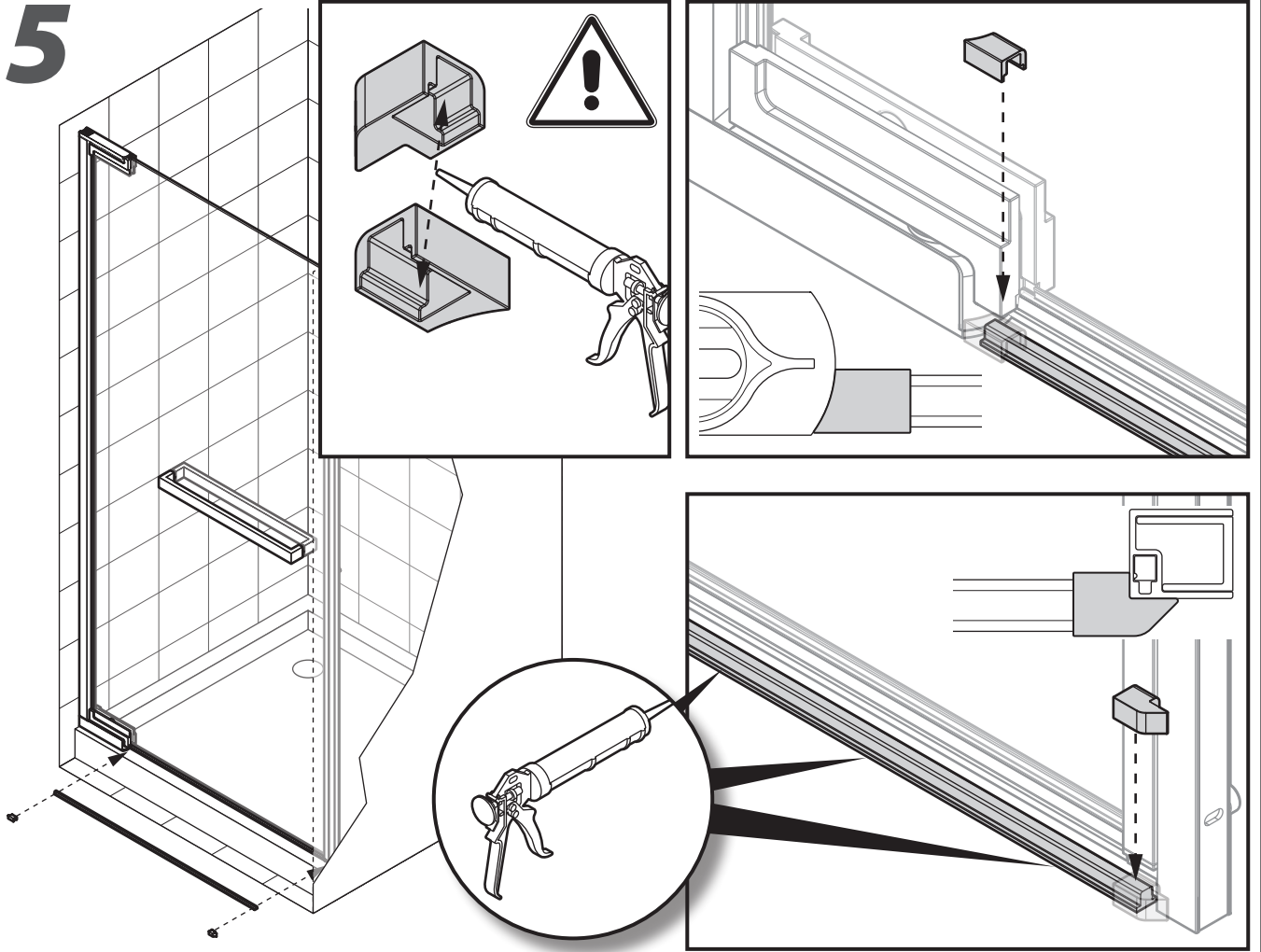
# 13



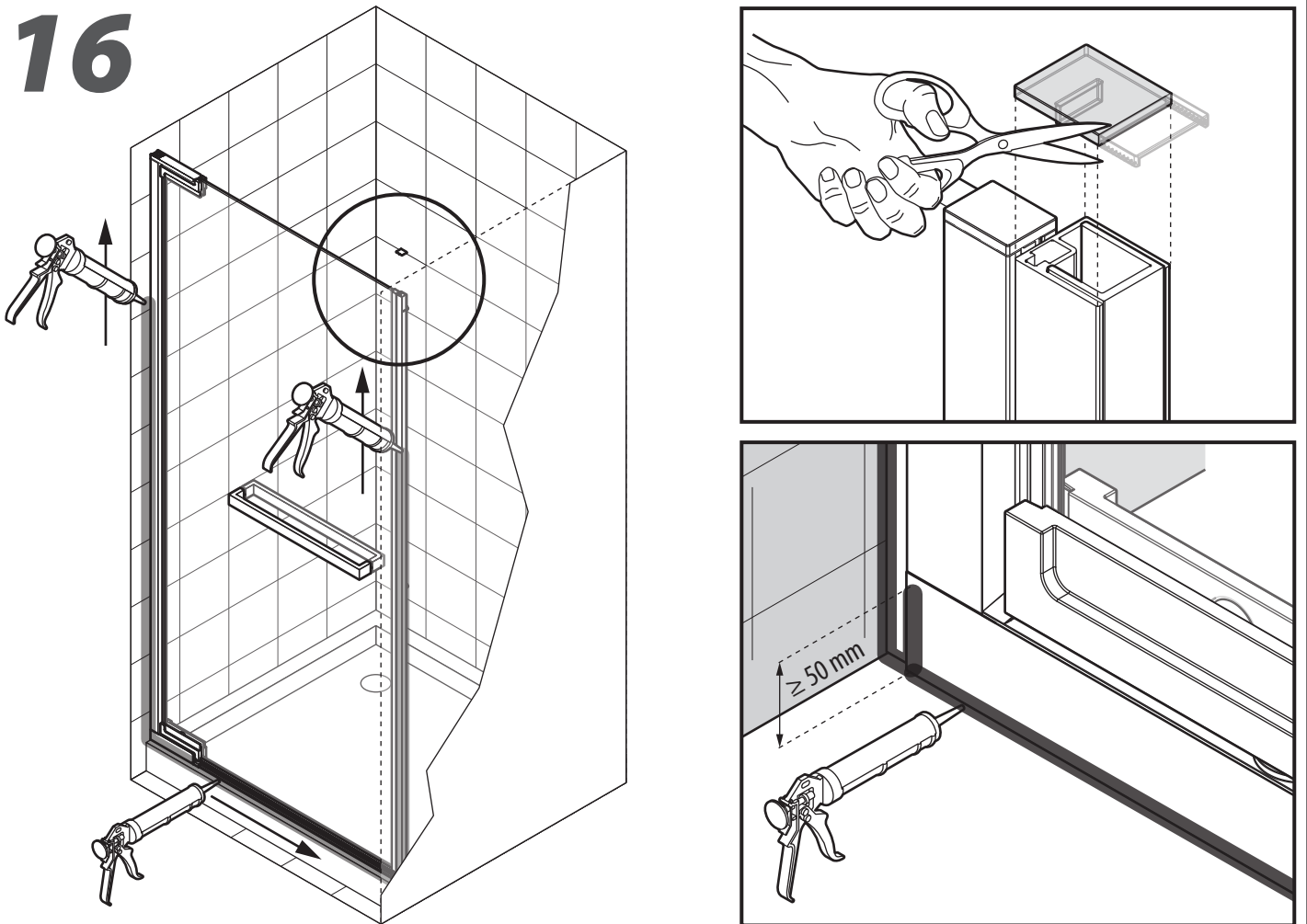
# 14



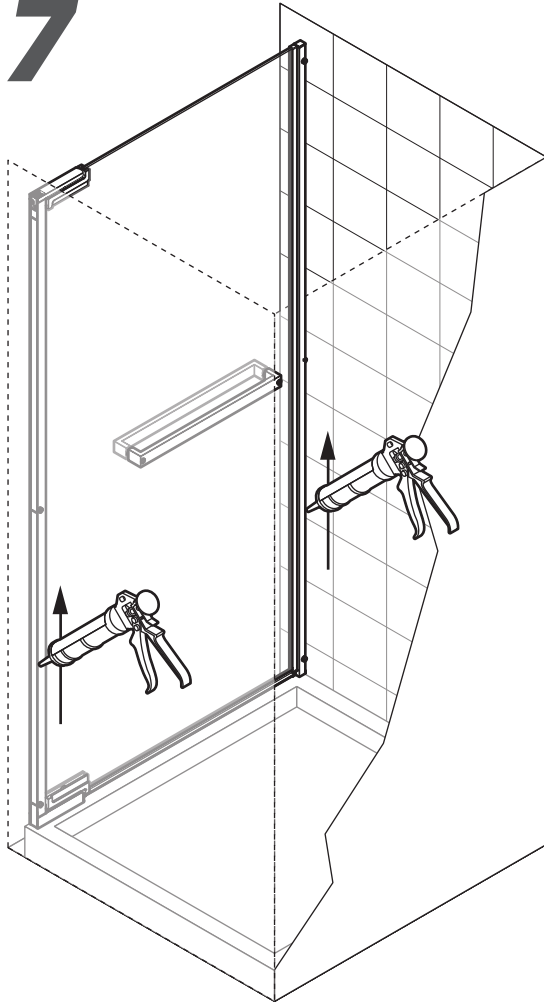
# 15



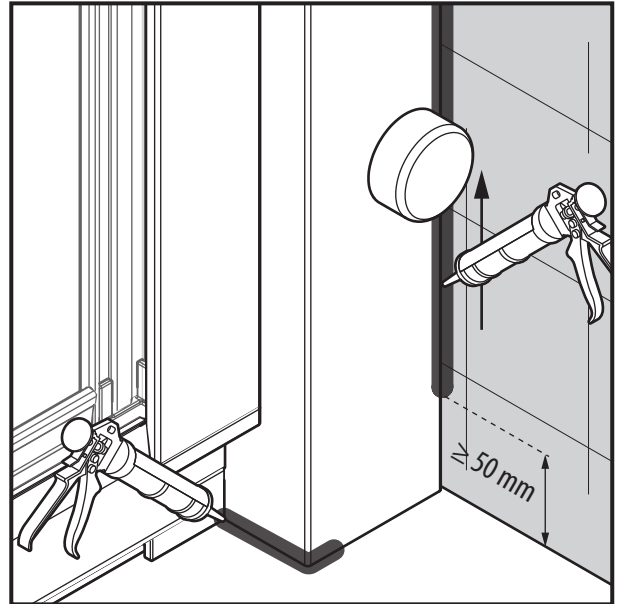
# 16



# 17



## Optional



# 18

