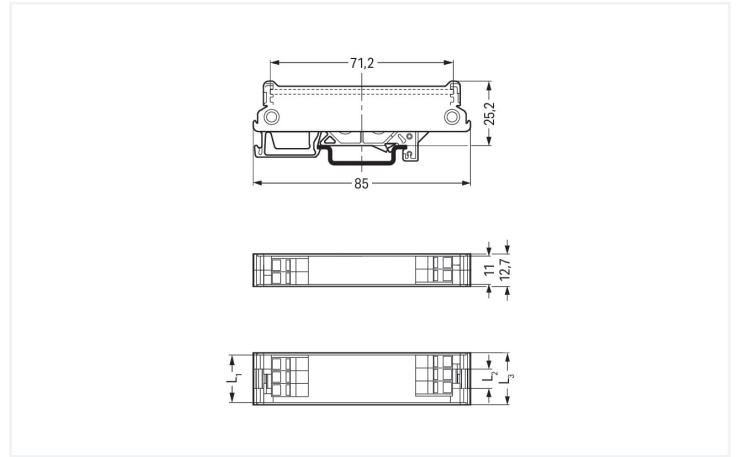
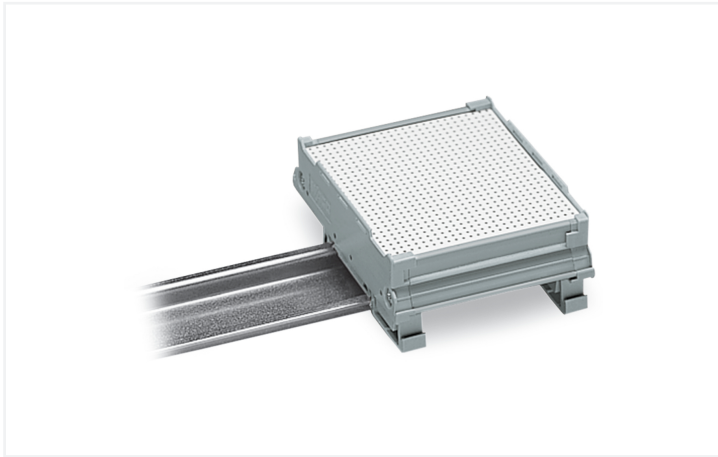


Data Sheet | Item Number: 288-600

Track section; Size 1; 1 m long; gray

<https://www.wago.com/288-600>

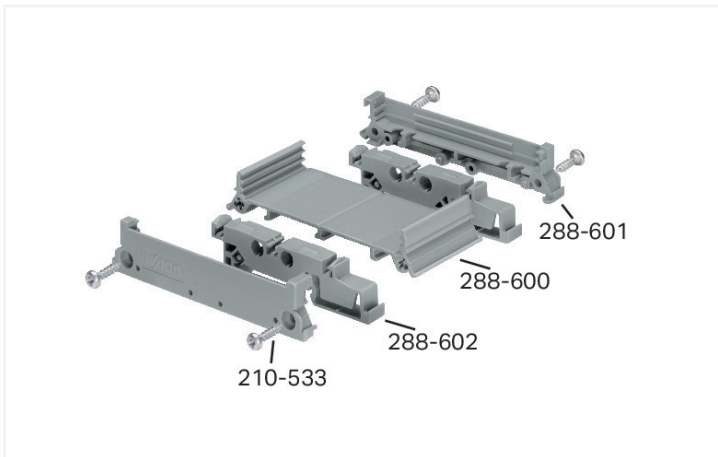


Color: ■ gray

Similar to illustration

Dimensions in mm

$L1 = \text{PCB length}$
 $L2 = L1 - 11 \text{ mm}$ (L2 = carrier base length)
 $L3 = L1 + 2 \text{ mm}$



DIN-rail-mount PCB carrier, size 1

DIN-rail mount PCB carrier, size 1 – carrier base, size 1; 1 m long

Note

Note

Length calculation for a complete mounting carrier:

- PCB length: L1
- Base length: $L2 = L1 - 11 \text{ mm}$
- Mounting carrier length: $L3 = L1 + 2 \text{ mm}$
- Lateral cover, size 1, 6.35 mm thick
- Free space between base and PCB (when using upper PCB groove): 5 mm

PCB tolerances: 1.5 mm \pm 0.2 mm (thickness), \pm 0.2 mm (length/width), -0.1/+0.3 for milling contours

Physical data

Width	1000 mm / 39.37 inches
Height	71.2 mm / 2.803 inches

Mechanical data

Mounting type	DIN-35 rail
---------------	-------------

Material data

Color	gray
Housing material	PC/ABS

Commercial data

Product Group	6 (INTERFACE ELECTRONIC)
PU (SPU)	1 (1) pcs
Packaging type	Box
Country of origin	DE
GTIN	4017332639484
Customs tariff number	39169010900

Product Classification

UNSPSC	39121321
eCl@ss 10.0	27-18-27-02
eCl@ss 9.0	27-18-27-02
ETIM 9.0	EC001031
ETIM 10.0	EC001031
ECCN	NO US CLASSIFICATION

Environmental Product Compliance

RoHS Compliance Status	Compliant, No Exemption
------------------------	-------------------------

Downloads

Environmental Product Compliance

Compliance Search

Environmental Product
Compliance 288-600



CAD/CAE-Data

CAD data

2D/3D Models 288-600



CAE data

WSCAD Universe
288-600



ZUKEN Portal 288-600



1 Compatible Products

1.1 Optional Accessories

1.1.1 Installation

1.1.1.1 Mounting accessories



Item No.: 210-533

Phillips screw 2.9 x 13

1.1.1.2 Mounting carrier and mounting feet



Item No.: 288-602

Fixing foot for DIN 35 rail; gray



Item No.: 288-601

Lateral cover; Size 1; small; 6.35 mm thick; gray

1.1.2 Marking

1.1.2.1 Marking strip



Item No.: 709-196

Marking strips; for laser printer; translucent



Item No.: 709-177

Marking strips; on reel; 7.5 mm wide; not stretchable; plain; snap-on type; translucent



Item No.: 709-178

Marking strips; on reel; 7.5 mm wide; not stretchable; plain; snap-on type; white