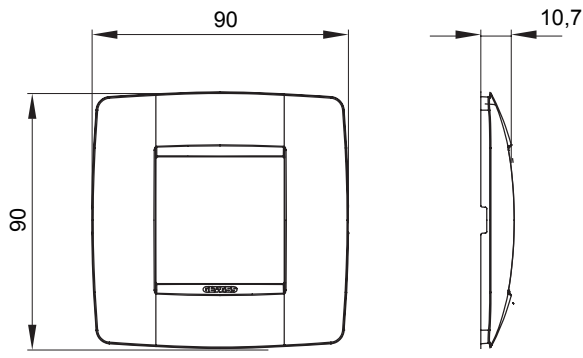




A range of ChoruSmart modular devices and plates made of antibacterial technopolymer in a glossy white finish, suitable for use in hospitals, nursing homes, schools and wherever cleanness and hygiene are essential. The effective silver-ion antibacterial treatment can reduce bacterial growth by 99% within 24 hours and has been verified by certified laboratory testing in accordance with standard ISO 22196 (analysis of major strains of Staphylococcus aureus and E. coli bacterial species).

| | | | |
|---------------------------|-------------------|-------------------|----------------------------|
| Family | ONE International | Description | 2 modules |
| Colour | White | Material | Antibacterial tecnopolymer |
| Finishing | Glossy | For support codes | GW16821, GW16822, GW16823 |
| For box | Round/Square | Glow wire test | 650 °C |
| Thermo-pressure with ball | 70 °C | Standard | EN 60669-1; ISO 22196 |
| Electrocod | 0110 | | |

DIMENSIONAL



TECHNICAL SYMBOLOGY



STANDARDS/APPROVALS

