

36 425 977 Product version up to 8/24/2020



- cover plate Ø 175 mm
- temperature control handle with safety limit stop at 38°C
- hot water temperature limiter, can be preset
- WRAS

	Brushed Platinum	36 425 977-06
	Chrome	36 425 977-00
	Platinum	36 425 977-08
	Durabress (23kt Gold)	36 425 977-09
	Brushed Durabress (23kt Gold)	36 425 977-28
	Brushed Gold (PVD)	36 425 977-37
	Brushed Dark Brass (PVD)	36 425 977-39
	Brushed Bronze (PVD)	36 425 977-42
	Brushed Dark Platinum	36 425 977-99

Recommended miscellaneous



xGRID Attachment set for integrating in the dry wall construction -

12 340 970 90

Required miscellaneous



xGRID Installation track 555 mm - 12 360 970 90

Required miscellaneous



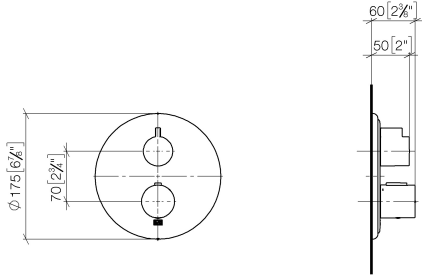
Concealed thermostat with built-in isolators - 35 426 970 90
 •min. recess depth 80 mm
 •max. recess depth 136 mm

Required miscellaneous

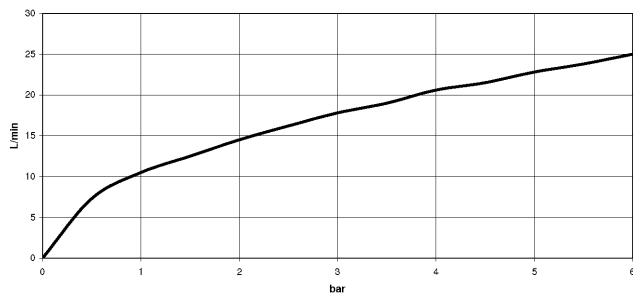


Concealed thermostat - 35 425 970 90
 •min. recess depth 80 mm
 •max. recess depth 136 mm

36 425 977 Product version up to 8/24/2020
mm [inches]



Flow rate chart



Codes & Standards

DIN 4109

EN 1111

ISO 3822

Scottish Water
Byelaws

UK Water Supply
Regulations

Ü-Zeichen

VA-Zeichen



MADISON Concealed thermostat with one function volume control - Brushed
Platinum

MADISON

36 425 977 Product version up to 8/24/2020

Certificates and sustainability

LGA_19

ETA_20

LGA_19

DVGW_DW-
6512DN0

WRAS_250402

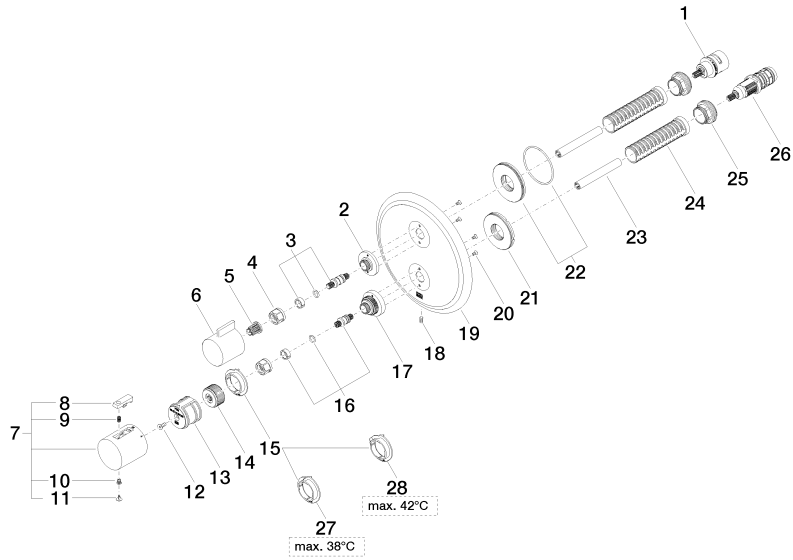
EPD-DOR-20230287

-IBA1-EN

Environmental.prod

uct-declarat

36 425 977 Product version up to 8/24/2020



36 425 977 Product version up to 8/24/2020

Spare parts list

No.	Item Number	Name	Quantity used	Delivery time
	25 09 24 04 257 90	Mounting Nut Ø 32 x 19,5 mm -	2.00	14
	12 90 30 30 124 00 90	Mounting Countersunk screw with hexagon socket M4 x 10 mm -	1.00	14
	4 90 23 30 023 00 90	Cap nut -	2.00	14
	6 09 20 67 006-06	Handle for thermostat 41 x 40 x 53 mm - Brushed Platinum	1.00	82
	1 90 90 03 166 00 90	Head part Temperature maintenance head part Lifetime 90° Motion -	1.00	14
	9 90 16 02 027 00 90	Spring Ø 4,5 x 7,5 mm -	1.00	14
	14 09 12 12 054 90	Handle mount Ø 28,50 x 16 mm -	1.00	14
	11 90 31 20 049 00-13	Plug - black	1.00	40
	3 04 29 06 111 01-00	Spindle with double toothing Ø 12,15 x 37,2 mm - Chrome	1.00	20
	2 09 12 12 053-06	Fixing cap mount Ø 34,5 x 15 mm - Brushed Platinum	1.00	20
	19 09 11 02 307-06	Rosette for thermostat 1-way Ø 175 x 11,5 mm - Brushed Platinum	1.00	-
Spare part can no longer be ordered, please order the replacement item				
	17 09 12 12 051-06	Fixing cap mount Ø 35 x 26,5 mm - Brushed Platinum	1.00	20
	16 04 29 06 024 01-00	Spindle with double toothing Ø 12,15 x 30 mm - Chrome	1.00	20
	24 90 18 40 077 01 90	Sleeve -	2.00	14
	27 09 28 10 188 90	Temperature limitation ring Thermostat, 38° stop -	1.00	14
	26 90 15 02 013 00 90	Thermostat cartridge Ø 27 x 82 mm, 16-18 l/min. -	1.00	14
	15 09 28 10 187 90	Temperature limitation ring Thermostat -	1.00	14
	21 09 30 01 296 90	Shaft M24x1 Ø52 external -	1.00	14
	23 90 23 01 124 00 90	Sleeve -	2.00	14
	20 09 30 30 157 90	Mounting Countersunk screw with hexagon socket M3 x 6 mm -	4.00	14
	7 90 17 33 004 00-06	Handle for thermostat Ø 46 x 48 mm - Brushed Platinum	1.00	-
Spare part can no longer be ordered, please order the replacement item				
	90173302000-06	Handle for thermostat Ø 46 x 48 mm - Brushed Platinum		
	28 09 28 10 189 90	Temperature limitation ring Thermostat, black -	1.00	14
	10 90 30 30 136 00 90	Bolt -	1.00	14
	5 90 12 12 002 00 90	Fixing cap white Ø 15 x 12 mm -	1.00	14
	22 90 30 01 190 00 90	Connection Ø 55 x 9 mm -	1.00	14
	18 09 31 11 134 90	Mounting Threaded pin with hexagon socket with point M4 x 10 mm -	1.00	14
	8 90 21 33 011 00-13	Repair kit for thermostat handle - black	1.00	14
	13 90 12 12 052 00 90	Retainer -	1.00	14