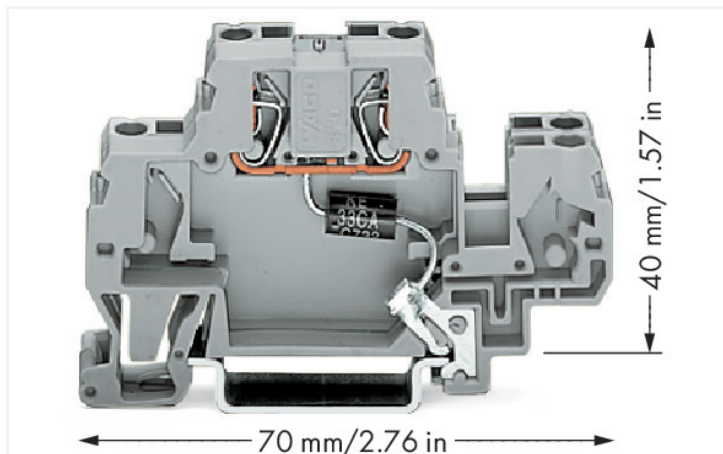


**Data Sheet | Item Number: 870-523/281-595**

Component terminal block; double-deck; with suppressor diode; 230 VAC; for DIN-rail 35 x 15 and 35 x 7.5; 2.5 mm<sup>2</sup>; CAGE CLAMP®; gray

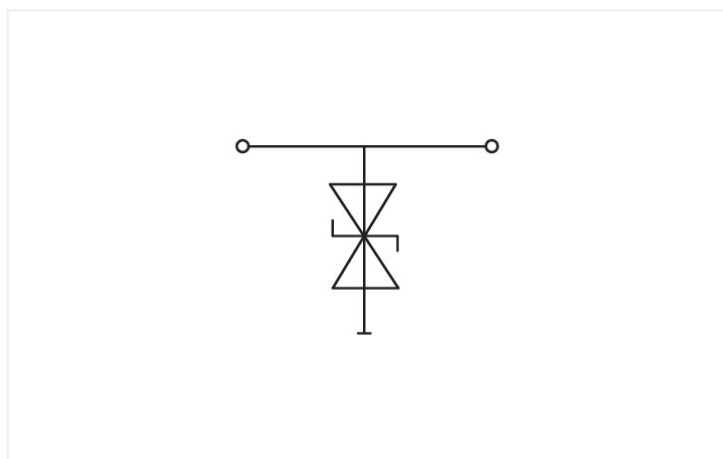
<https://www.wago.com/870-523/281-595>



Color: ■ gray

Similar to illustration

Similar to illustration



**Notes**

**Safety Information**

- Installation must be performed by qualified personnel only.
- The DIN-rail must be grounded.
- The input current must be protected by a suitable fuse.
- Protection against contact with stored charges must be ensured.
- Do not insert or remove pluggable modules when energized.
- The IP20 protection rating must be maintained in the assembled state or when using an end/intermediate plate compatible with the rail-mount terminal block.

### Electrical data

|                                            |           |
|--------------------------------------------|-----------|
| Nominal operating voltage                  | 230 VAC   |
| Maximum continuous voltage                 | 253 VAC   |
| Rated continuous current                   | 20 A      |
| Nominal discharge current (8/20 µs) (line) | 14 A      |
| Protection level (8/20 µs)                 | ≤ 706 VAC |
| Capacitance                                | ≤ 400 pF  |

### Connection data

|                                                 |                                              |
|-------------------------------------------------|----------------------------------------------|
| Connections (number)                            | 2                                            |
| Connection technology                           | CAGE CLAMP®                                  |
| Solid conductor                                 | 0.08 ... 2.5 mm <sup>2</sup> / 28 ... 14 AWG |
| Fine-stranded conductor                         | 0.08 ... 4 mm <sup>2</sup> / 28 ... 12 AWG   |
| Fine-stranded conductor; with insulated ferrule | 0.08 ... 1.5 mm <sup>2</sup> / 28 ... 14 AWG |
| Strip length                                    | 6 ... 7 mm / 0.24 ... 0.28 inches            |

### Physical data

|                                   |                      |
|-----------------------------------|----------------------|
| Width                             | 10 mm / 0.394 inches |
| Height                            | 70 mm / 2.756 inches |
| Depth from upper-edge of DIN-rail | 40 mm / 1.575 inches |

### Mechanical data

|               |             |
|---------------|-------------|
| Mounting type | DIN-35 rail |
|---------------|-------------|

### Material data

|                                    |                  |
|------------------------------------|------------------|
| Color                              | gray             |
| Insulation material (main housing) | Polyamide (PA66) |
| Material group                     | I                |
| Flammability class per UL94        | V0               |
| Fire load                          | 0.259 MJ         |
| Weight                             | 11.8 g           |

### Environmental requirements

|                        |                |
|------------------------|----------------|
| Processing temperature | -35 ... +85 °C |
|------------------------|----------------|

### Commercial data

|                       |                                            |
|-----------------------|--------------------------------------------|
| Product Group         | 16 (Rail Mounted Terminal Blocks with CCC) |
| PU (SPU)              | 25 pcs                                     |
| Packaging type        | Box                                        |
| Country of origin     | DE                                         |
| GTIN                  | 4045454561475                              |
| Customs tariff number | 85369010000                                |

| Product Classification |                      |
|------------------------|----------------------|
| UNSPSC                 | 39121410             |
| eCl@ss 10.0            | 27-14-11-27          |
| eCl@ss 9.0             | 27-14-11-27          |
| ETIM 9.0               | EC000903             |
| ETIM 8.0               | EC000903             |
| ECCN                   | NO US CLASSIFICATION |

| Environmental Product Compliance          |                                      |
|-------------------------------------------|--------------------------------------|
| CAS-No.                                   | 7439-92-1                            |
| REACH Candidate List Substance            | Lead                                 |
| RoHS Compliance Status                    | Compliant,With Exemption             |
| RoHS Exemption                            | 7(a)<br>7(c)-I                       |
| SCIP notification number (Bulgaria)       | 05d6cfb8-7c0a-4afc-86f4-5d4c8e56fe7d |
| SCIP notification number (Czech Republic) | 81607c32-ceed-4321-9fcb-78a2152f67a3 |

### Downloads

#### Environmental Product Compliance

| Compliance Search                                   |   |
|-----------------------------------------------------|---|
| Environmental Product Compliance<br>870-523/281-595 | ↓ |

### Documentation

| Bid Text        |            |                 |   |
|-----------------|------------|-----------------|---|
| 870-523/281-595 | 19.02.2019 | xml<br>3.31 KB  | ↓ |
| 870-523/281-595 | 11.02.2015 | doc<br>25.50 KB | ↓ |

### CAD/CAE-Data

| CAD data                        |   |
|---------------------------------|---|
| 2D/3D Models<br>870-523/281-595 | ↓ |

| CAE data                             |   |
|--------------------------------------|---|
| EPLAN Data Portal<br>870-523/281-595 | ↓ |
| WSCAD Universe<br>870-523/281-595    | ↓ |
| ZUKEN Portal<br>870-523/281-595      | ↓ |

## 1 Compatible Products

### 1.1 Optional Accessories

#### 1.1.1 End plate

##### 1.1.1.1 End plate



**Item No.: 870-518**

End and intermediate plate; 2 mm thick; gray

**Item No.: 870-519**

End and intermediate plate; 2 mm thick; orange

#### 1.1.2 Insulation stop

##### 1.1.2.1 Insulation stop



**Item No.: 280-470**

Insulation stop; 0.08 - 0.2 mm<sup>2</sup> "s" (0.14 mm<sup>2</sup> "f-st"); 5 pieces/strip; white

**Item No.: 280-471**

Insulation stop; 0.25 - 0.5 mm<sup>2</sup>; 5 pieces/strip; light gray

**Item No.: 280-472**

Insulation stop; 0.75 - 1 mm<sup>2</sup>; 5 pieces/strip; black

#### 1.1.3 Jumper

##### 1.1.3.1 Jumper



**Item No.: 280-492**

Jumper; 2-way; insulated; gray

#### 1.1.4 Marking

##### 1.1.4.1 Marker



**Item No.: 2009-145**

Mini-WSB Inline; for Smart Printer; 1700 pieces on roll; stretchable 5 - 5.2 mm; plain; snap-on type; white

**Item No.: 248-501**

Mini-WSB marking card; as card; not stretchable; plain; snap-on type; white

#### 1.1.5 Tool

##### 1.1.5.1 Operating tool



**Item No.: 210-720**

Operating tool; Blade: 3.5 x 0.5 mm; with a partially insulated shaft; multicoloured