

33 800 875 Product version from 5/31/2010 to 7/25/2018



- 201mm projection
- pivotable spout 360°
- air-enriched flow
- height of mixer 373 mm
- height up to aerator 240 mm
- hole diameter 35 mm
- max. flow 8 l/min at 3 bar flow pressure
- lead-free
- This product can help a building meet the requirements of Green Building Rating Systems, e.g. LEED®, BREEAM®, DGNB
- WRAS

	Brushed Platinum	33 800 875-06
	Chrome	33 800 875-00
	Platinum	33 800 875-08
	Dark Chrome	33 800 875-19
	Brushed Durabronze (23kt Gold)	33 800 875-28
	Matte Black	33 800 875-33
	Brushed Dark Brass (PVD)	33 800 875-39
	Brushed Bronze (PVD)	33 800 875-42
	Brushed Dark Bronze (PVD)	33 800 875-43
	Brushed Champagne (22kt Gold)	33 800 875-46
	Champagne (22kt Gold)	33 800 875-47
	Brushed Chrome	33 800 875-93
	Brushed Dark Platinum	33 800 875-99

**Recommended miscellaneous**

**Strainer waste with control handle - Brushed Platinum** 10 712 970-06

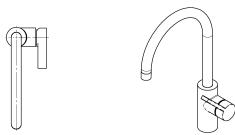
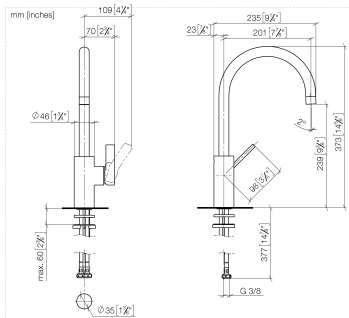


**Recommended miscellaneous**

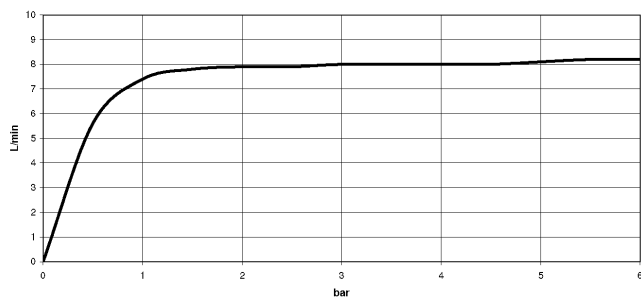
**Dispenser without rosette - Brushed Platinum** 82 424 970-06



33 800 875 Product version from 5/31/2010 to 7/25/2018



**Flow rate chart**



**Codes & Standards**

DIN 4109	EN 817	Executive Order no. 1007	ISO 3822
Scottish Water Byelaws	UK Water Supply Regulations	Ü-Zeichen	VA-Zeichen



# TARA ULTRA Single-lever mixer - Brushed Platinum

TARA ULTRA

33 800 875 Product version from 5/31/2010 to 7/25/2018

## Certificates and sustainability

WRAS\_2101

GDV\_0400

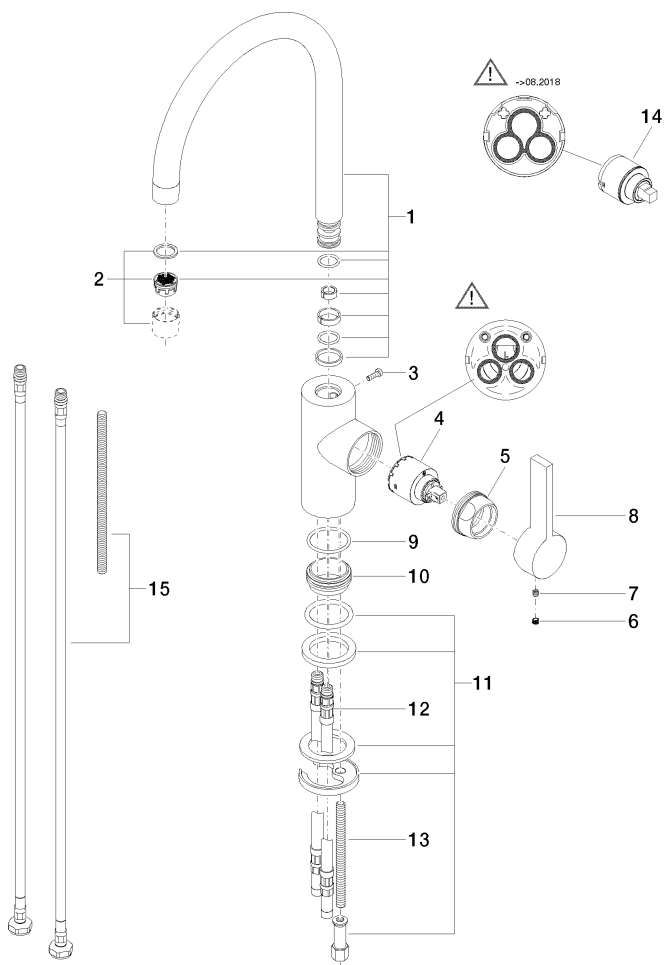
LGA\_18

ETA\_18

EPD-DOR-20230287  
-IBA1-EN  
Environmental.prod  
uct-declarat

33 800 875 Product version from 5/31/2010 to 7/25/2018

Parts for other finishes can be found here: [Chrome](#)



33 800 875 Product version from 5/31/2010 to 7/25/2018

**Spare parts list**

No.	Item Number	Name	Quantity used	Delivery time
1	90 28 22 204 02-06	Spout 200 mm, 8 l/min. - Brushed Platinum	1.00	20
12	04 30 04 016 00 90	High pressure hose M10x1 x 420 mm -	2.00	-
Spare part can no longer be ordered, please order the replacement item				
	0430041040090	High pressure hose M10x1 x 3/8" x 420 mm -		
10	09 28 10 109-07	Ring Ø 38,8 x 17 mm - untreated nickel-plated	1.00	40
5	09 24 04 107-06	Connection Ø 40 x 20 mm - Brushed Platinum	1.00	20
11	04 30 11 085 88 90	Mounting with O-ring Ø34 x 4mm with spacer sleeve Ø 52 x 1,5 mm -	1.00	14
6	90 31 20 109 00 90	Plug -	1.00	14
4	90 15 05 061 00 90	Cartridge black Ø 35 x 52 mm -	1.00	-
Spare part can no longer be ordered, please order the replacement item				
	9015050450090	Cartridge black Ø 35 x 52 mm -		
2	90 23 01 004 07-06	Aerator 8,0 l/min. - Brushed Platinum	1.00	20
14	90 15 05 045 00 90	Cartridge black Ø 35 x 52 mm -	1.00	14
9	09 14 10 119 90	O-Ring EPDM 70 33,0 x 2,5 mm -	1.00	14
13	09 31 11 012 90	Mounting Threaded bolt M8 x110 mm -	1.00	14
8	09 20 79 040-06	Handle Lever 120 x 43 x 23 mm - Brushed Platinum	1.00	20
7	90 31 11 030 00 90	Mounting Threaded pin with hexagon socket with cup point M5 x 5 mm -	1.00	14
3	09 30 30 080 90	Mounting Cylinder head screw with hexagon socket Low profile M4 x 12 mm -	1.00	14
15	12 803 970 90	Extension set -	1.00	-
Spare part can no longer be ordered, please order the replacement item				