

Concord

Raiden IP66 21KLM 830 Asymmetric Wide 2824014



Features

- Outdoor and indoor floodlight range with in house design, comes complete with 1m flying lead and adjustable bracket, aluminium housing, RAL 9022 - Pearl light grey, clear glass diffuser, IP66, IK08, Class I, 3000K, Non-dimming, 20100lm, 157W, 128lm/W, CRI80, Asymmetric Wide beam angle 110*50°, 100000 hrs L90B50 lifespan, 511x319x76mm (LxWxH) dimensions, 6.6kg weight. Ball-impact-resistance according to DIN57710-13 VDE 0710 13/5.81, DIN 18032-3 only with the separate wire guard accessory fitted.

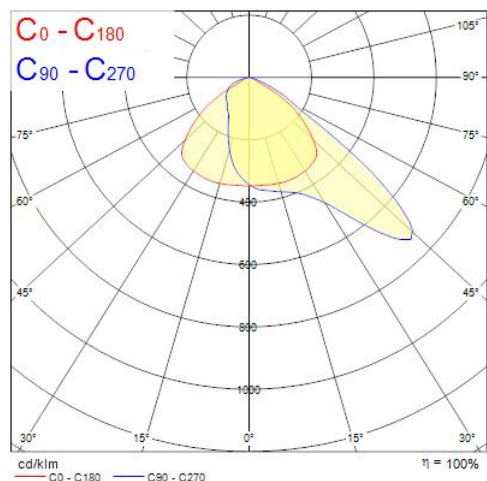
Product Overview

Product name	Raiden IP66 21KLM 830 Asymmetric Wide
Technology	LED
Cap/Base	N/A
Housing	Aluminium
Fixture luminous flux (lm)	20100
Luminaire efficacy (lm/W)	128
Colour temperature (K)	3000
Light colour	Warm White
CRI (Ra)	80
Colour Variation Initial (SDCM)	3
Beam Angle (°)	110*50
Photobiological Risk Group	RG1
Total power consumption (W)	157
Electrical protection	Class I
Housing colour	RAL 9022 - Pearl light grey
IP rating	IP66
IK rating	IK08
Product EAN number	5025768240142
Warranty	5 years

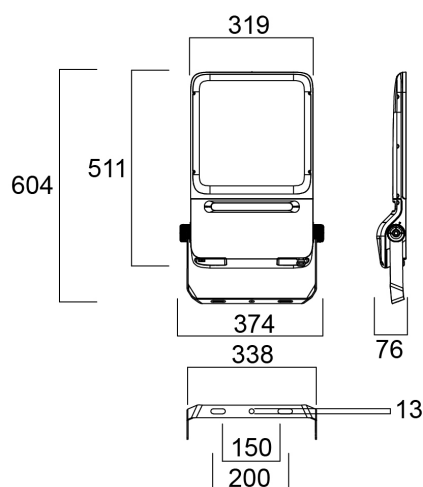
Concord

Raiden IP66 21KLM 830 Asymmetric Wide 2824014

Photometry



Technical drawings



Data table

GENERAL DATA

Product name

Raiden IP66 21KLM 830 Asymmetric Wide

Concord

Raiden IP66 21KLM 830 Asymmetric Wide 2824014

Technology	LED
Cap/Base	N/A
Housing	Aluminium
Operating temperature range (°C)	-40°C...+50°C
Performance ambient temperature Tq (°C)	25
Warranty	5 years

OPTICAL DATA

Fixture luminous flux (lm)	20100
Luminaire efficacy (lm/W)	128
Colour temperature (K)	3000
Light colour	Warm White
CRI (Ra)	80
Colour Variation Initial (SDCM)	3
Beam Angle (°)	110*50
Photobiological Risk Group	RG1

ELECTRICAL DATA

Total power consumption (W)	157
Lamp power factor	0.95
Electrical protection	Class I
Control gear required	No
Drive current (mA)	3200
Inrush Current (A)	110
Inrush Duration (µs)	200
Glow Wire Test (°C)	850
Energy Efficiency Class (A->G) of contained light source	E
Nominal Frequency (Hz)	50/60Hz
Max. products per 10A C Breaker	6
Max. products per 20A B Breaker	7
Mains surge immunity (differential mode -> L-N) (kV)	6

Concord

Raiden IP66 21KLM 830 Asymmetric Wide 2824014

Mains surge immunity (common mode -> L/N - GND) (kV)	10
--	----

LIFETIME DATA

Lifespan L70 B50	100000
Lifespan L80 B20	94000
Lifespan L90 B50	100000

PHYSICAL DATA

Housing colour	RAL 9022 - Pearl light grey
IP rating	IP66
IK rating	IK08
Nominal Product Length (mm)	511
Nominal Product Width (mm)	319
Weight (kg)	6.6

PACKAGING

Single packaging type	Carton
Product EAN number	5025768240142
Packaging single width (cm)	41.5
Packaging single depth (cm)	14.0
DUN14 (outer)	05025768240142
Packaging outer length / height (cm)	56.0

SAFETY DATA

Optimal operating condition (°C)	-40-50
Special purpose lamp	No
Dry applications use only	No
Suitable for household illumination	No