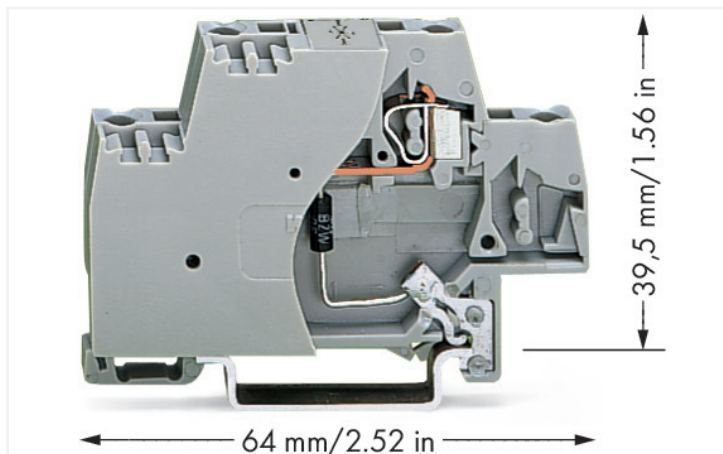


Data Sheet | Item Number: 280-502/281-590

Component terminal block; double-deck; with end plate and direct connection to DIN-rail; with 1.5KE62C TVS diode; 48 VDC; for DIN-rail 35 x 15 and 35 x 7.5; 2.5 mm²; CAGE CLAMP®; gray

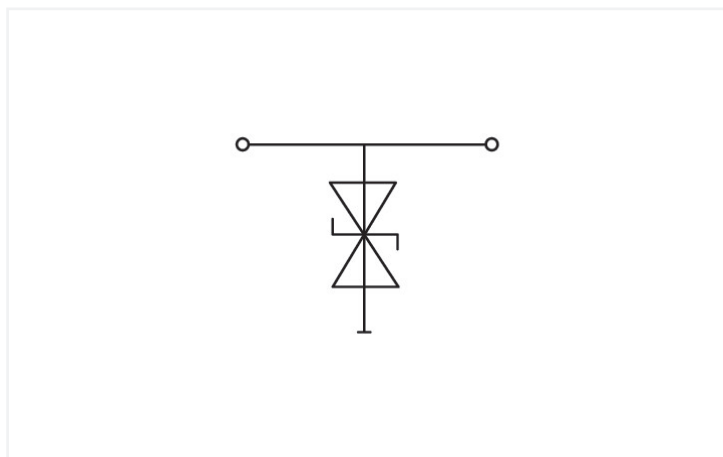
<https://www.wago.com/280-502/281-590>



Color: ■ gray

Similar to illustration

Similar to illustration



Short description:

This component terminal block with surge suppression device, end plate and direct connection to the DIN-35 rail is equipped with a TVS diode.

Features:

- Protect your system against overvoltage
- Slim, space-saving design
- Control operational costs by preventing expensive, unplanned downtime
- High operational reliability and system uptime

Notes

Safety Information	<ul style="list-style-type: none"> - Installation must be performed by qualified personnel only. - The DIN-rail must be grounded. - The input current must be protected by a suitable fuse. - Protection against contact with stored charges must be ensured. - Do not insert or remove pluggable modules when energized. - The IP20 protection rating must be maintained in the assembled state or when using an end/intermediate plate compatible with the rail-mount terminal block.
--------------------	---

Electrical data

Nominal operating voltage	48 VDC
Maximum continuous voltage	53 VDC
Rated continuous current	20 A
Nominal discharge current (8/20 μ s) (line)	90 A
Protection level (8/20 μ s)	\leq 111 VDC
Capacitance	\leq 1.7 nF

Connection Data

Connections (number)	2
Connection technology	CAGE CLAMP®
Solid conductor	0.08 ... 2.5 mm ² / 28 ... 14 AWG
Fine-stranded conductor	0.08 ... 2.5 mm ² / 28 ... 14 AWG
Strip length	8 ... 9 mm / 0.31 ... 0.35 inches

Physical data

Width	10 mm / 0.394 inches
Height	64 mm / 2.52 inches
Depth from upper-edge of DIN-rail	39.5 mm / 1.555 inches

Mechanical data

Design	with end plate; with direct connection to DIN-rail
Mounting type	DIN-35 rail

Material data

Color	gray
Insulation material (main housing)	Polyamide (PA66)
Material group	I
Flammability class per UL94	V0
Fire load	0.287 MJ
Weight	12 g

Environmental requirements

Processing temperature	-35 ... +85 °C
------------------------	----------------

Commercial data

Product Group	1 (Rail Mounted Terminal Blocks)
PU (SPU)	50 pcs
Packaging type	Box
Country of origin	DE
GTIN	4050821860358
Customs tariff number	85369010000

Product Classification

UNSPSC	39121410
eCl@ss 10.0	27-14-11-27
eCl@ss 9.0	27-14-11-27
ETIM 9.0	EC000903
ETIM 10.0	EC000903
ECCN	NO US CLASSIFICATION

Environmental Product Compliance

RoHS Compliance Status	Compliant,With Exemption
RoHS Exemption	7(a) 7(c)-I

Downloads

Environmental Product Compliance

Compliance Search	
Environmental Product Compliance 280-502/281-590	↓

Documentation

Bid Text			
280-502/281-590	19.02.2019	xml 3.31 KB	↓
280-502/281-590	11.02.2015	doc 25.50 KB	↓

CAD/CAE-Data

CAD data	
2D/3D Models 280-502/281-590	↓

CAE data	
EPLAN Data Portal 280-502/281-590	↓
WSCAD Universe 280-502/281-590	↓
ZUKEN Portal 280-502/281-590	↓

1 Compatible Products

1.1 Optional Accessories

1.1.1 Insulation stop

1.1.1.1 Insulation stop

**Item No.: 280-470**

Insulation stop; 0.08 - 0.2 mm² "s" (0.14 mm² "f-st"); 5 pieces/strip; white

**Item No.: 280-471**

Insulation stop; 0.25 - 0.5 mm²; 5 pieces/strip; light gray

**Item No.: 280-472**

Insulation stop; 0.75 - 1 mm²; 5 pieces/strip; black

1.1.2 Jumper

1.1.2.1 Jumper

**Item No.: 280-492**

Jumper; 2-way; insulated; gray

1.1.3 Marking

1.1.3.1 Marker

**Item No.: 2009-145**

Mini-WSB InLine; for Smart Printer; 1700 pieces on roll; stretchable 5 - 5.2 mm; plain; snap-on type; white

**Item No.: 248-501**

Mini-WSB marking card; as card; not stretchable; plain; snap-on type; white

1.1.4 Tool

1.1.4.1 Operating tool

**Item No.: 210-720**

Operating tool; Blade: 3.5 x 0.5 mm; with a partially insulated shaft; multicoloured