

26 413 370 Product version from 4/1/2025



- metal shower hose 1750mm with integrated anti-twist protection
- shower hose connector 1/2"
- slide bar

Technical data:

- gauge 850 mm
- rosettes Ø 60 mm
- Pipe diameter 18 mm

Notes:

This article does not include a hand shower!

	Chrome	26 413 370-00
	Brushed Platinum	26 413 370-06
	Platinum	26 413 370-08
	Durabress (23kt Gold)	26 413 370-09
	Brushed Durabress (23kt Gold)	26 413 370-28
	Brushed Gold (PVD)	26 413 370-37
	Brushed Dark Brass (PVD)	26 413 370-39
	Brushed Bronze (PVD)	26 413 370-42
	Brushed Dark Platinum	26 413 370-99

Recommended miscellaneous



- Concealed wall elbow -** 35 085 970 90
- min. recess depth 90 mm
 - max. recess depth 163 mm

Recommended miscellaneous



- Elbow 35° - Chrome** 28 411 970-00

Required miscellaneous



- MADISON Hand shower 95 mm - Chrome** 28 002 978-00
- Three settings: COMPACT RAIN, COMPACT SOFT FLOW, COMPACT AQUAPRESSURE FLOW, max. flow rate l/min (at 3 bar)
 - spray head Ø 95mm
 - Hand shower see page {PAGE}

Required miscellaneous



- MADISON Hand shower FlowReduce 95 mm - Chrome** 28 002 978-00 0010
- Three settings: COMPACT RAIN, COMPACT SOFT FLOW, COMPACT AQUAPRESSURE FLOW, max. flow rate l/min (at 3 bar)
 - spray head Ø 95mm
 - Hand shower see page {PAGE}

Recommended miscellaneous



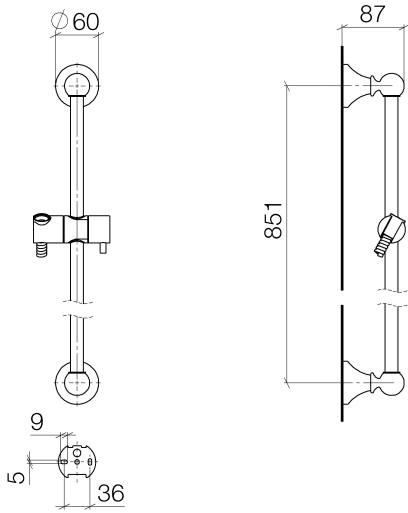
- MADISON Wall elbow - Chrome** 28 450 370-00

Required miscellaneous



- MADISON Metal hand shower with porcelain insert (white) FlowReduce - Chrome** 28 002 970-00 0010

26 413 370 Product version from 4/1/2025

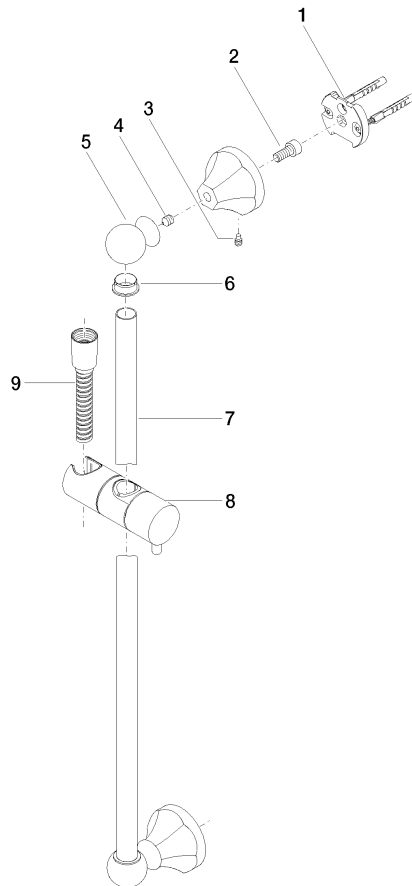


Codes & Standards

ASME A112.18.1	cUPC	Scottish Water Byelaws	UK Water Supply Regulations
----------------	------	---------------------------	--------------------------------

Certificates and sustainability

WRAS_2009	IAPMO_4976
-----------	------------



Spare parts list

No.	Item Number	Name	Quantity used	Delivery time
4	09 31 11 002 90	Mounting Threaded pin with hexagon socket M8 x 10 mm -	2.00	14
6	09 18 40 009 90	Sleeve Ø 23 x 10 mm -	2.00	14
7	08 28 22 596-00	Pipe Ø 18 x 870 mm - Chrome	1.00	20
2	09 30 30 048 90	Mounting Cylinder head screw with hexagon socket M8 x 18 mm -	2.00	14
5	09 21 40 020-00	Ball joint for bidet aerator 32 x 35 x 46,5 mm - Chrome	2.00	-
Spare part can no longer be ordered, please order the replacement item				
8	12 580 970-00	Slide unit - Chrome	1.00	20
3	09 31 11 140 90	Mounting Threaded pin with hexagon socket with pins M6 x 10 mm -	2.00	-
Spare part can no longer be ordered, please order the replacement item				
	0431111400090	Mounting Threaded pin M6 x 10 mm -		
9	28 204 970-00	Metal shower hose 1/2" x 1/2" x 1750 mm - Chrome	1.00	14
1	05 17 97 507 00 90	Attachment set 52 x 45 x 70 mm -	2.00	14