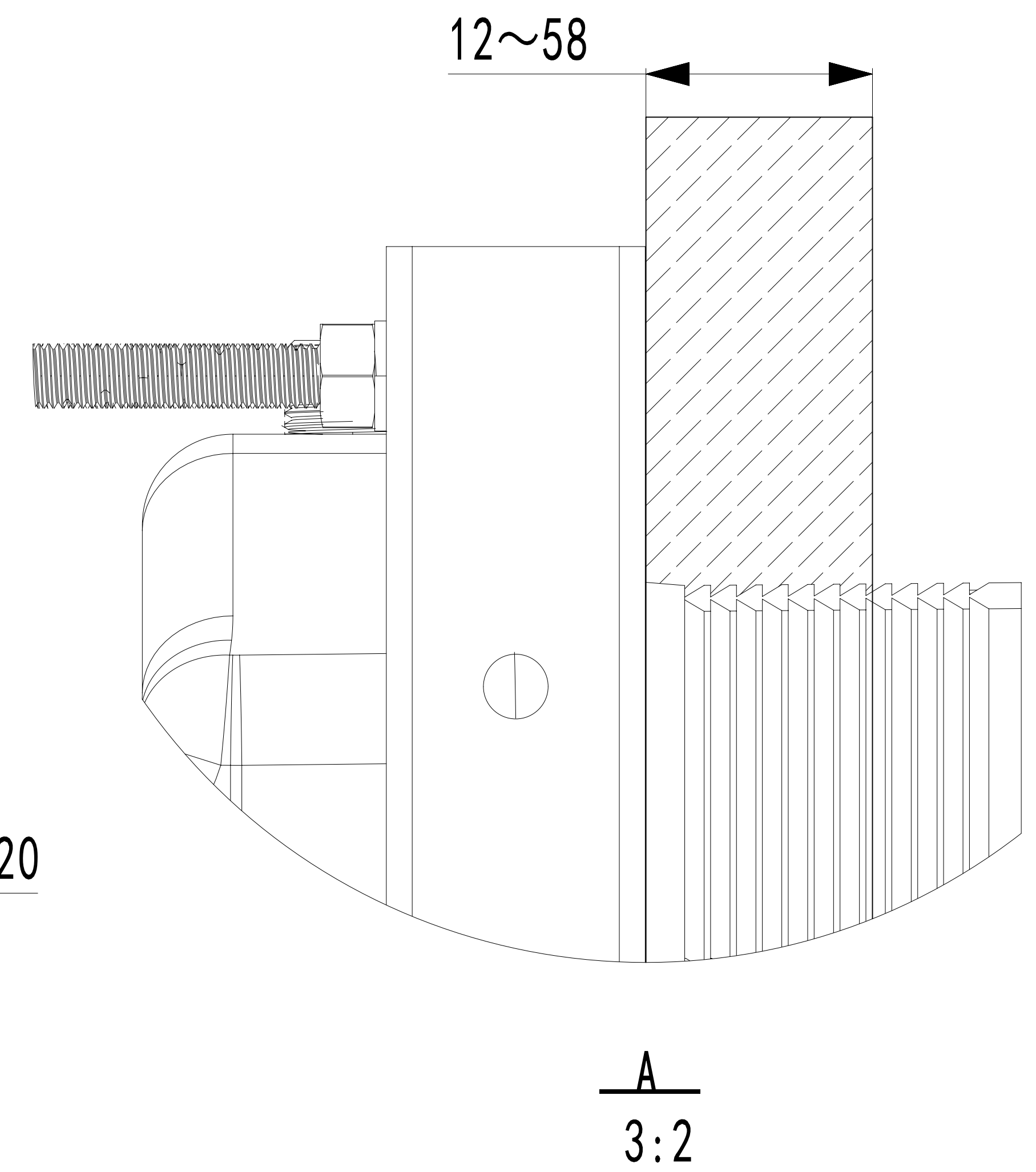
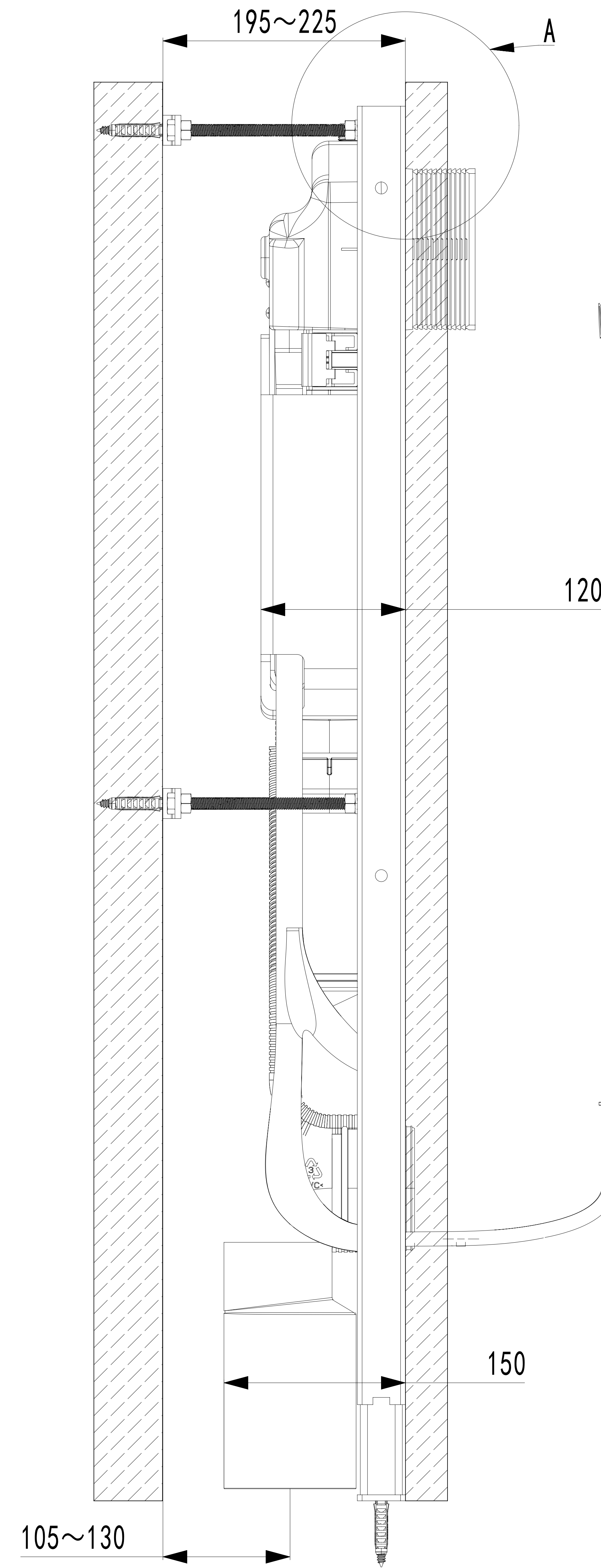
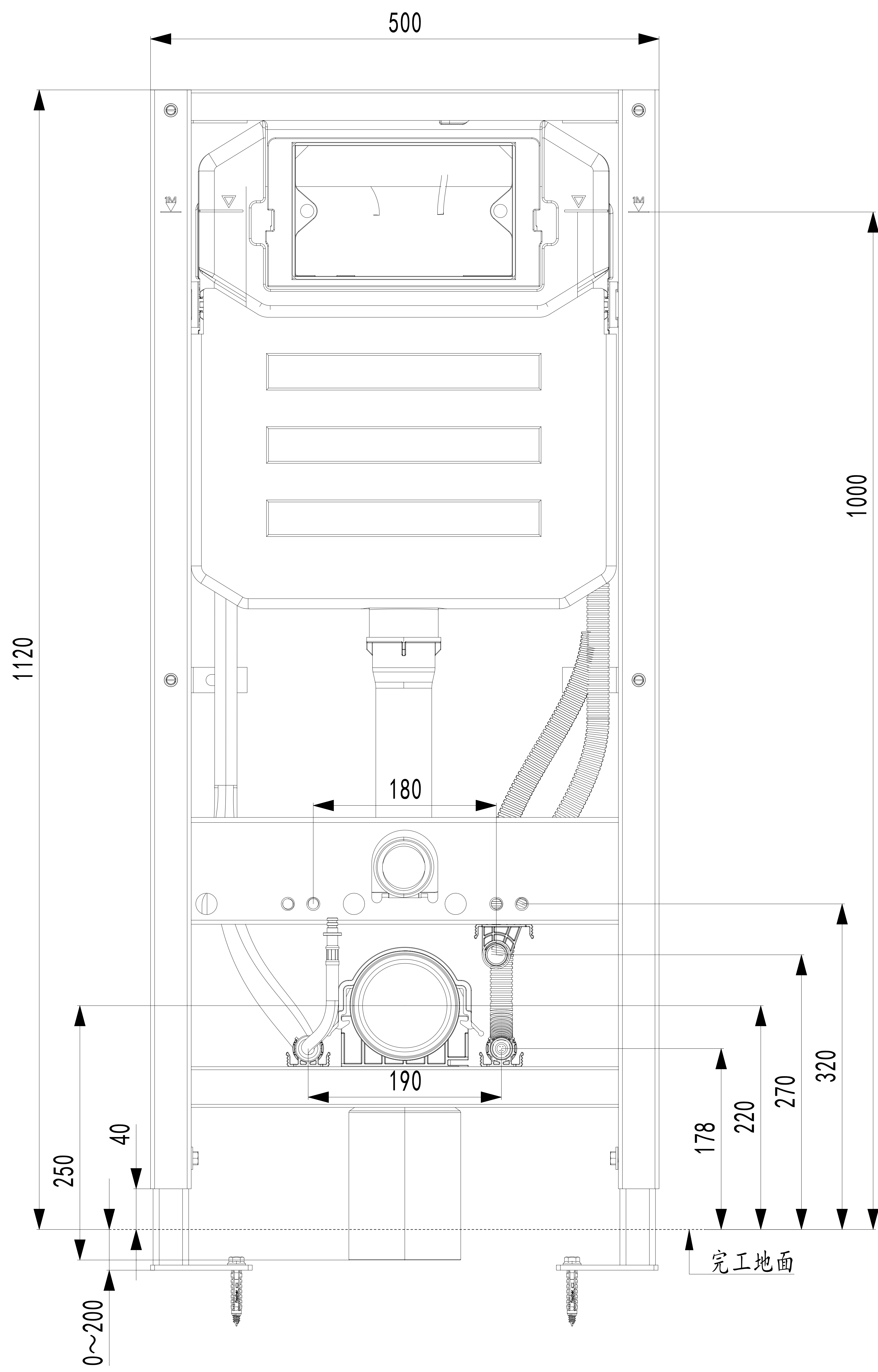


单位: mm



Tolerance	Metric Units
UP TO 10	±0.15
10 - 25	±0.20
25 - 50	±0.30
50 - 100	±0.40
100 - 250	±0.60
250 - 500	±1.00
500 - 750	±2.00
750 - 1000	±3.50

Revision:	Description:	Engineer:	Date:
Drawing name:	Inna11 tank	Released by:	Sheet: 1 of 1
Drawing number:	V9999900	Approved by:	Scale: 1:1
Revision status:	Date:	Units:	mm
		Size ISO 14405	Weight: kg
		<small>This Document contains confidential and proprietary information that cannot be reproduced or divulged in whole or in part without written authorization from Villeroy &amp; Boch AG</small>	