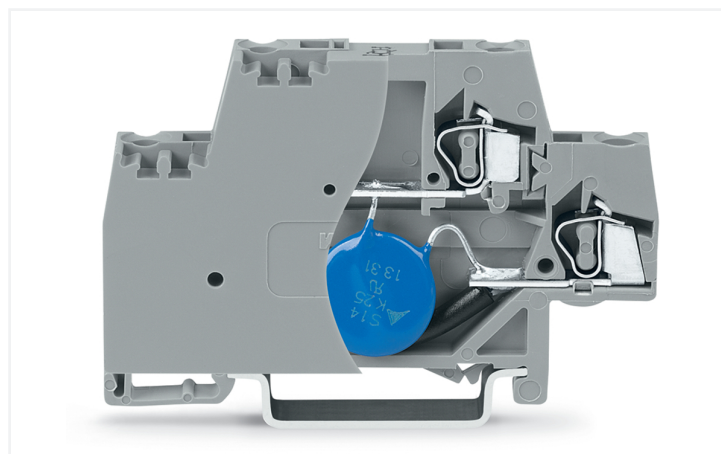
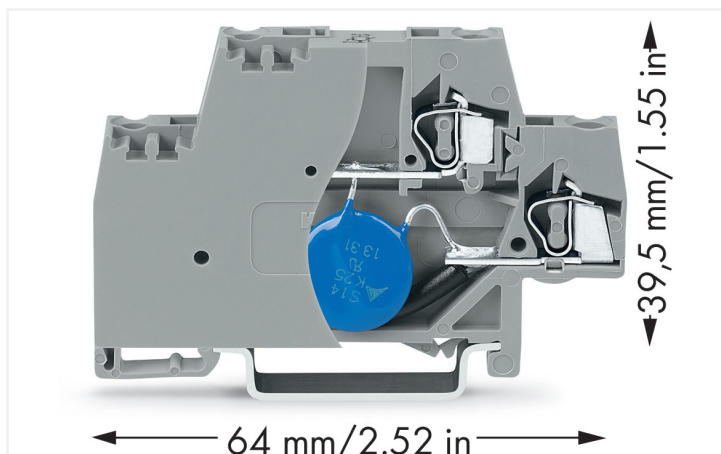


Data Sheet | Item Number: 280-504/281-587

Component terminal block; double-deck; with end plate; with varistor; for DIN-rail 35 x 15 and 35 x 7.5; 2.5 mm²; CAGE CLAMP®; gray

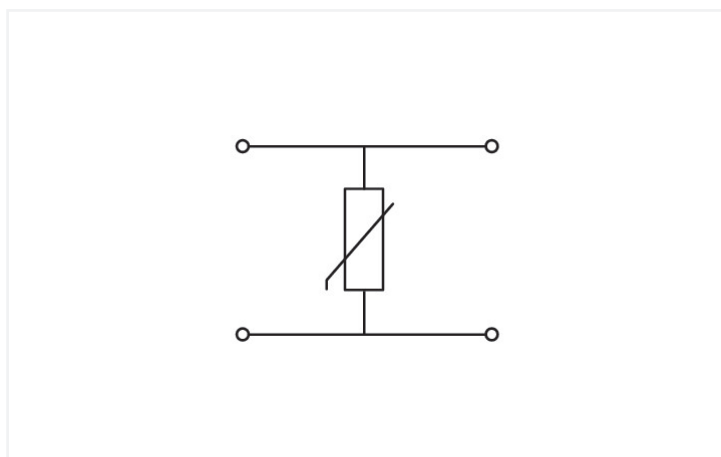
<https://www.wago.com/280-504/281-587>



Color: ■ gray

Similar to illustration

Similar to illustration



Short description:

This component terminal block with surge suppression device and end plate is equipped with a varistor.

Features:

- Protect your system against overvoltage
- Slim, space-saving design
- Control operational costs by preventing expensive, unplanned downtime
- High operational reliability and system uptime

Notes

Safety Information

- Installation must be performed by qualified personnel only.
- The DIN-rail must be grounded.
- The input current must be protected by a suitable fuse.
- Protection against contact with stored charges must be ensured.
- Do not insert or remove pluggable modules when energized.
- The IP20 protection rating must be maintained in the assembled state or when using an end/intermediate plate compatible with the rail-mount terminal block.

Electrical data

| | |
|--|-----------|
| Nominal operating voltage | 115 VAC |
| Maximum continuous voltage | 150 VAC |
| Rated continuous current | 20 A |
| Nominal discharge current (8/20 µs) (line) | 1 kA |
| Discharge current (max.) | 4.5 kA |
| Protection level (8/20 µs) | ≤ 395 VAC |
| Capacitance | ≤ 570 pF |

Safety and protection

| | |
|-----------------|------|
| Protection type | IP20 |
|-----------------|------|

Connection Data

| | |
|-------------------------|--|
| Wiring direction | Front-entry wiring |
| Connections (number) | 4 |
| Connection technology | CAGE CLAMP® |
| Solid conductor | 0.08 ... 2.5 mm ² / 28 ... 14 AWG |
| Fine-stranded conductor | 0.08 ... 2.5 mm ² / 28 ... 14 AWG |
| Strip length | 8 ... 9 mm / 0.31 ... 0.35 inches |

Physical data

| | |
|-----------------------------------|------------------------|
| Width | 10 mm / 0.394 inches |
| Height | 64 mm / 2.52 inches |
| Depth from upper-edge of DIN-rail | 39.5 mm / 1.555 inches |

Mechanical data

| | |
|---------------|----------------|
| Design | with end plate |
| Mounting type | DIN-35 rail |

Material data

| | |
|------------------------------------|------------------|
| Color | gray |
| Insulation material (main housing) | Polyamide (PA66) |
| Material group | I |
| Flammability class per UL94 | V0 |
| Fire load | 1.339 MJ |
| Weight | 15.4 g |

Environmental requirements

| | |
|---------------------------------|----------------|
| Ambient temperature (operation) | -25 ... +70 °C |
| Processing temperature | -35 ... +85 °C |
| Operating altitude (max.) | 2000 m |

Standards and Specifications

| | |
|--------------------------|------------------------------|
| Standards/specifications | EN 60947-7-1 EN 60512-5-2 |
|--------------------------|------------------------------|

Commercial data

| | |
|-----------------------|----------------------------------|
| Product Group | 1 (Rail Mounted Terminal Blocks) |
| PU (SPU) | 50 (1) pcs |
| Packaging type | Box |
| Country of origin | DE |
| GTIN | 4045454353247 |
| Customs tariff number | 85369010000 |

Product Classification

| | |
|-------------|----------------------|
| UNSPSC | 39121410 |
| eCl@ss 10.0 | 27-14-11-27 |
| eCl@ss 9.0 | 27-14-11-27 |
| ETIM 9.0 | EC000903 |
| ETIM 10.0 | EC000903 |
| ECCN | NO US CLASSIFICATION |

Environmental Product Compliance

| | |
|------------------------|-------------------------|
| RoHS Compliance Status | Compliant, No Exemption |
|------------------------|-------------------------|

Approvals / Certificates

Declarations of conformity and manufacturer's declarations

| Approval | Standard | Certificate Name |
|--|----------|------------------|
| EU-Declaration of Conformity WAGO GmbH & Co. KG | - | - |
| UK-Declaration of Conformity WAGO GmbH & Co. KG | - | - |

Downloads

Environmental Product Compliance

Compliance Search

| | |
|---|--|
| Environmental Product Compliance 280-504/281-587 | |
|---|--|

Documentation

Bid Text

| | | | |
|-----------------|------------|-----------------|--|
| 280-504/281-587 | 19.02.2019 | xml 3.25 KB | |
| 280-504/281-587 | 11.02.2015 | doc 25.50 KB | |

CAD/CAE-Data

CAD data

2D/3D Models
280-504/281-587

CAE data

EPLAN Data Portal
280-504/281-587

WSCAD Universe
280-504/281-587

ZUKEN Portal
280-504/281-587

1 Compatible Products

1.1 Optional Accessories

1.1.1 Insulation stop

1.1.1.1 Insulation stop



Item No.: 280-470

Insulation stop; 0.08 - 0.2 mm² "s" (0.14 mm² "f-st"); 5 pieces/strip; white



Item No.: 280-471

Insulation stop; 0.25 - 0.5 mm²; 5 pieces/strip; light gray



Item No.: 280-472

Insulation stop; 0.75 - 1 mm²; 5 pieces/strip; black

1.1.2 Jumper

1.1.2.1 Jumper



Item No.: 280-492

Jumper; 2-way; insulated; gray

1.1.3 Marking

1.1.3.1 Marker



Item No.: 2009-145

Mini-WSB Inline; for Smart Printer; 1700 pieces on roll; stretchable 5 - 5.2 mm; plain; snap-on type; white



Item No.: 248-501

Mini-WSB marking card; as card; not stretchable; plain; snap-on type; white

1.1.4 Tool

1.1.4.1 Operating tool



Item No.: 210-720

Operating tool; Blade: 3.5 x 0.5 mm; with a partially insulated shaft; multicoloured