








CL.1 Bath spout without diverter for deck mounting - Chrome

CL.1

13 612 705 Product version from 3/9/2015 to 5/27/2021

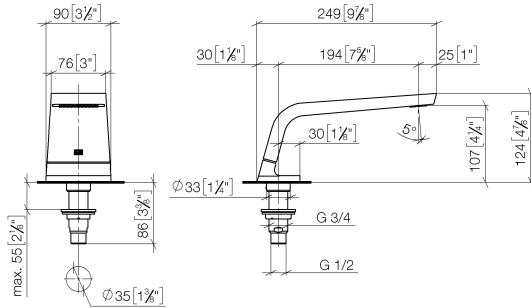


- 200mm projection
- rectangular spray pattern with 55 individual jets
- height of mixer 125 mm
- height up to aerator 108 mm
- hole diameter 35 mm
- 1/2" connection
- max. flow 24.6 l/min at 3 bar flow pressure
- WRAS

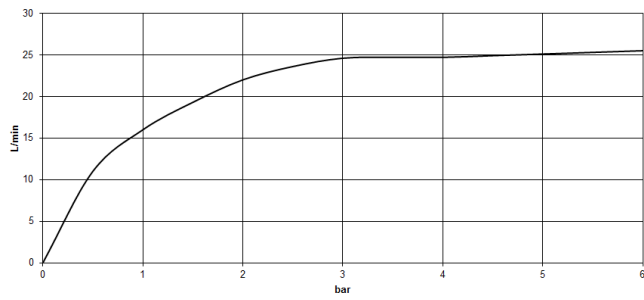
	Chrome	13 612 705-00
	Brushed Platinum	13 612 705-06
	Dark Chrome	13 612 705-19
	Brushed Light Gold (PVD)	13 612 705-27
	Brushed Champagne (22kt Gold)	13 612 705-46
	Champagne (22kt Gold)	13 612 705-47
	Brushed Dark Platinum	13 612 705-99

13 612 705 Product version from 3/9/2015 to 5/27/2021

mm [inches]



Flow rate chart



Codes & Standards

ASME A112.18.1 cUPC DIN 4109 ISO 3822

Scottish Water Byelaws UK Water Supply Regulations Ü-Zeichen



CL.1 Bath spout without diverter for deck mounting - Chrome

CL.1

13 612 705 Product version from 3/9/2015 to 5/27/2021

Certificates and sustainability

WRAS_1512

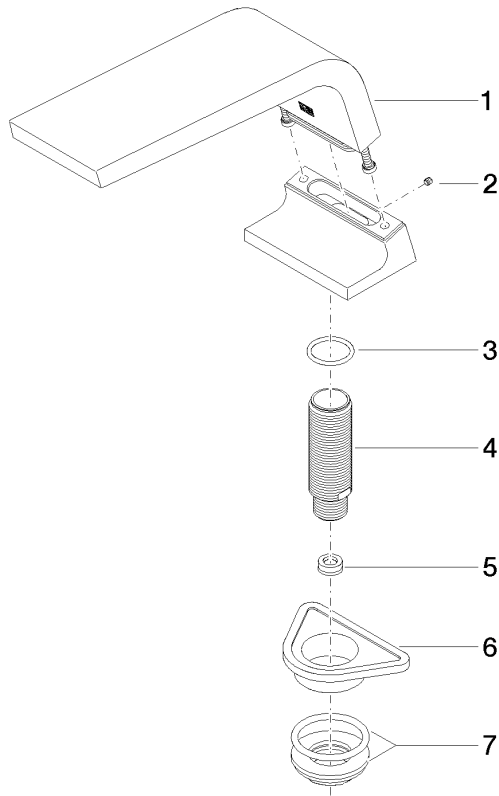
LGA_28

IAPMO_4976

EPD-DOR-20230287
-IBA1-EN
Environmental.prod
uct-declarat

13 612 705 Product version from 3/9/2015 to 5/27/2021

Parts for other finishes can be found here: Brushed Platinum



Spare parts list

No.	Item Number	Name	Quantity used	Delivery time
5	09 23 01 057 90	Flow limiter red 26,5 l/min. -	1.00	14
3	09 14 10 009 90	O-Ring NBR 70 24,0 x 2,5 mm -	1.00	14
7	04 23 10 004 03 90	Mounting with seals Ø 45 mm, 3/4" -	1.00	14
4	09 30 01 117 90	Connection Ø 27 x 85 mm -	1.00	14
1	90 11 70 007 00-00	Spout 88 x 123 x 247 mm - Chrome	1.00	20
6	09 18 40 090 90	Mounting 89 x 58 x 18,5 mm -	1.00	14
2	09 31 11 099 90	Mounting Threaded pin with hexagon socket with chamfered end M4 x 4 -	1.00	14