

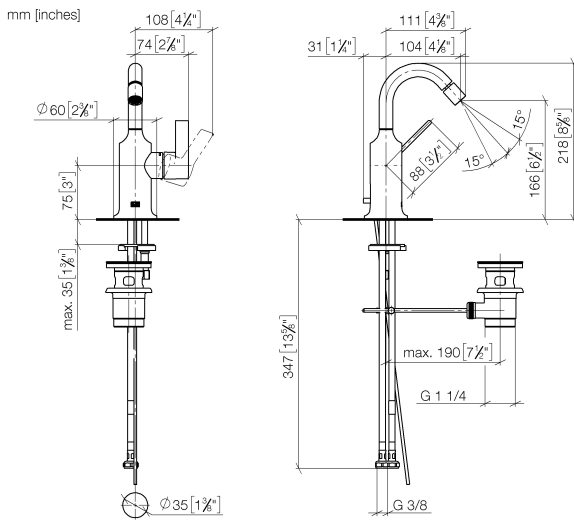
33 600 809 Product version from 3/13/2017



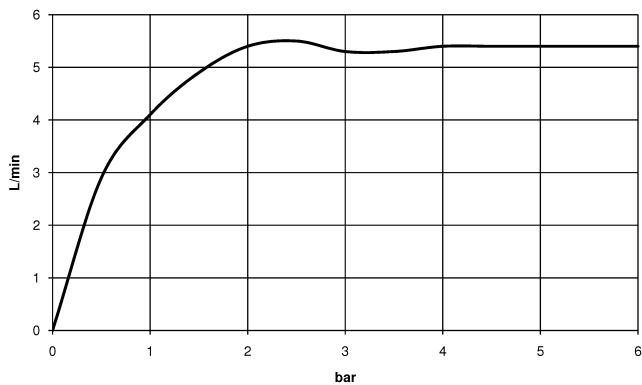
- 104mm projection
- ball-joint pivotable through 15° (in any direction)
- circular, air-enriched flow
- height of mixer 218 mm
- height up to aerator 166 mm
- hole diameter 35 mm
- rosette Ø 60 mm
- 2x screw-in M 10 x 1 pressure hose, leak-tested
- max. flow 5.7 l/min
- lead-free
- WRAS

	Chrome	33 600 809-00
	Brushed Platinum	33 600 809-06
	Platinum	33 600 809-08
	Dark Chrome	33 600 809-19
	Brushed Durabronze (23kt Gold)	33 600 809-28
	Brushed Gold (PVD)	33 600 809-37
	Brushed Dark Brass (PVD)	33 600 809-39
	Brushed Bronze (PVD)	33 600 809-42
	Brushed Dark Bronze (PVD)	33 600 809-43
	Brushed Champagne (22kt Gold)	33 600 809-46
	Champagne (22kt Gold)	33 600 809-47
	Brushed Dark Platinum	33 600 809-99

33 600 809 Product version from 3/13/2017



Flow rate chart



Codes & Standards

DIN 4109

ISO 3822

Scottish Water
Byelaws

UK Water Supply
Regulations

Ü-Zeichen



VAIA Single-lever bidet mixer with pop-up waste - Chrome

VAIA

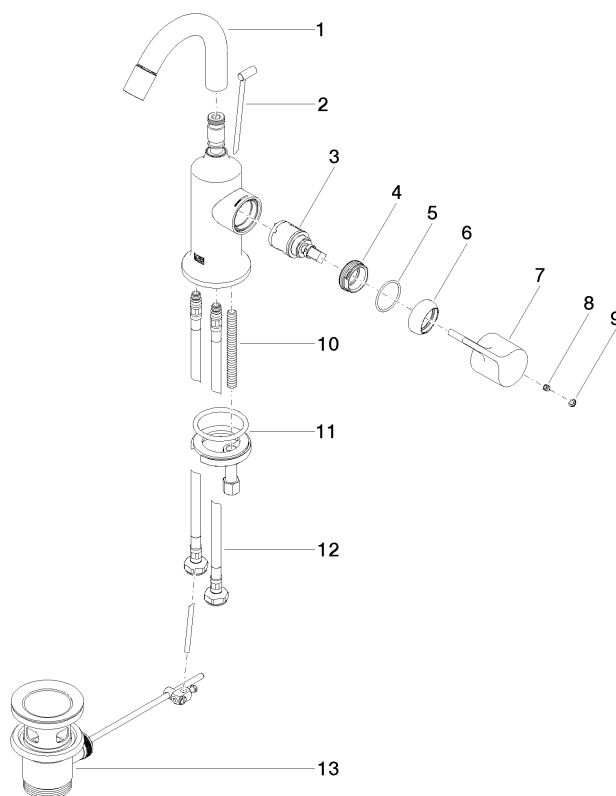
33 600 809 Product version from 3/13/2017

Certificates and sustainability

LGA_38	WRAS_240202	EPD-DOR-20230287 -IBA1-EN Environmental.prod uct-declarat
--------	-------------	--

33 600 809 Product version from 3/13/2017

Parts for other finishes can be found here: Brushed Platinum



Spare parts list

No.	Item Number	Name	Quantity used	Delivery time
	5 09 14 10 091 90	O-Ring NBR 70 26,5 x 1,72 mm -	1.00	14
	13 90 11 01 001 00-00	Basin Waste - Chrome	1.00	20
	11 04 30 11 038 00 90	Mounting with O-ring Ø40 x 4mm Ø 52 x 1,5 mm -	1.00	14
	3 90 15 05 042 00 90	Cartridge Ø 25 x 52 mm -	1.00	14
	4 09 24 04 266 90	Mounting Ø 28 x 10,8 mm -	1.00	14
	8 90 31 11 030 00 90	Mounting Threaded pin with hexagon socket with cup point M5 x 5 mm -	1.00	14
	12 04 30 04 100 00 90	High pressure hose M8x1 x 3/8" x 420 mm -	2.00	14
	6 09 28 30 021-00	Cover Ø 32 x 11 mm - Chrome	1.00	20
	10 09 31 11 011 90	Mounting Threaded bolt M8 x 80 mm -	1.00	14
	1 90 28 22 314 00-00	Spout 85 mm, 5,68 l/min. - Chrome	1.00	20
	9 90 31 20 087 00-00	Plug with O-ring Ø 7 x 2,1 mm - Chrome	1.00	20
	2 04 20 89 035 80-00	Pull rod for pop-up waste with button 64,9 x 399,3 x 7 mm - Chrome	1.00	20
	7 90 20 80 070 00-00	Lever 37 x 34 x 107 mm - Chrome	1.00	20