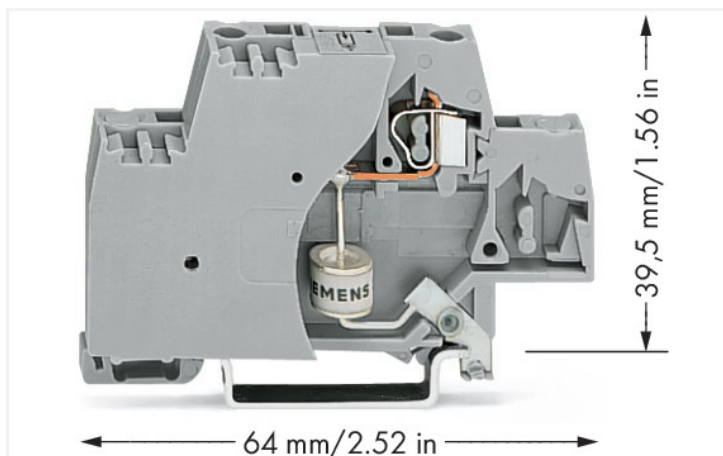


## Data Sheet | Item Number: 280-503/281-579

Component terminal block; double-deck; with end plate; with gas-filled surge arrester; for DIN-rail 35 x 15 and 35 x 7.5; 2.5 mm<sup>2</sup>; CAGE CLAMP®; gray

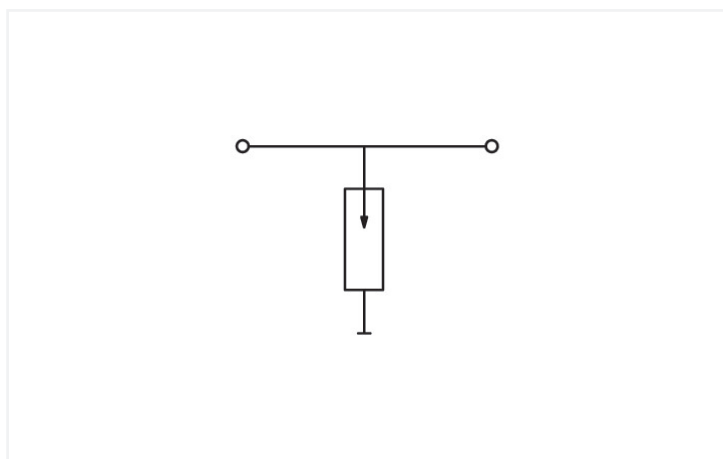
<https://www.wago.com/280-503/281-579>



Color: ■ gray

Similar to illustration

Similar to illustration



### Short description:

This component terminal block with surge suppression device, end plate and direct connection to the DIN-35 rail is equipped with a gas-filled surge.

### Features:

- Protect your system against overvoltage
- Slim, space-saving design
- Control operational costs by preventing expensive, unplanned downtime
- High operational reliability and system uptime

### Notes

#### Safety Information

- Installation must be performed by qualified personnel only.
- The DIN-rail must be grounded.
- The input current must be protected by a suitable fuse.
- Protection against contact with stored charges must be ensured.
- Do not insert or remove pluggable modules when energized.
- The IP20 protection rating must be maintained in the assembled state or when using an end/intermediate plate compatible with the rail-mount terminal block.

### Electrical data

Nominal operating voltage	24 VAC/VDC
DC ignition voltage	72 ... 108 V
Rated continuous current	20 A
Nominal discharge current (8/20 µs) (line)	5 kA
Protection level (8/20 µs)	≤ 600 VAC
Capacitance	≤ 2 pF

### Connection Data

Connections (number)	2
Connection technology	CAGE CLAMP®
Solid conductor	0.08 ... 2.5 mm <sup>2</sup> / 28 ... 14 AWG
Fine-stranded conductor	0.08 ... 2.5 mm <sup>2</sup> / 28 ... 14 AWG
Strip length	8 ... 9 mm / 0.31 ... 0.35 inches

### Physical data

Width	10 mm / 0.394 inches
Height	64 mm / 2.52 inches
Depth from upper-edge of DIN-rail	39.5 mm / 1.555 inches

### Mechanical data

Design	with end plate; with direct connection to DIN-rail
Mounting type	DIN-35 rail

### Material data

Color	gray
Insulation material (main housing)	Polyamide (PA66)
Material group	I
Flammability class per UL94	V0
Fire load	0.273 MJ
Weight	13 g

### Environmental requirements

Processing temperature	-35 ... +85 °C
------------------------	----------------

### Commercial data

Product Group	1 (Rail Mounted Terminal Blocks)
PU (SPU)	50 (1) pcs
Packaging type	Box
Country of origin	DE
GTIN	4045454194260
Customs tariff number	85369010000

Product Classification	
UNSPSC	39121410
eCl@ss 10.0	27-14-11-27
eCl@ss 9.0	27-14-11-27
ETIM 9.0	EC000903
ETIM 10.0	EC000903
ECCN	NO US CLASSIFICATION

Environmental Product Compliance	
RoHS Compliance Status	Compliant, No Exemption

### Approvals / Certificates

#### Declarations of conformity and manufacturer's declarations

Approval	Standard	Certificate Name
EU-Declaration of Conformity WAGO GmbH & Co. KG	-	-
UK-Declaration of Conformity WAGO GmbH & Co. KG	-	-

### Downloads

#### Environmental Product Compliance

Compliance Search	
Environmental Product Compliance 280-503/281-579	<a href="#">↓</a>

### Documentation

Bid Text			
280-503/281-579	19.02.2019	xml 3.31 KB	<a href="#">↓</a>
280-503/281-579	11.02.2015	doc 25.50 KB	<a href="#">↓</a>

### CAD/CAE-Data

CAD data	
2D/3D Models 280-503/281-579	<a href="#">↓</a>

CAE data	
EPLAN Data Portal 280-503/281-579	<a href="#">↓</a>
WSCAD Universe 280-503/281-579	<a href="#">↓</a>
ZUKEN Portal 280-503/281-579	<a href="#">↓</a>

## 1 Compatible Products

### 1.1 Optional Accessories

#### 1.1.1 Insulation stop

##### 1.1.1.1 Insulation stop

**Item No.: 280-470**

Insulation stop; 0.08 - 0.2 mm<sup>2</sup> "s" (0.14 mm<sup>2</sup> "f-st"); 5 pieces/strip; white

**Item No.: 280-471**

Insulation stop; 0.25 - 0.5 mm<sup>2</sup>; 5 pieces/strip; light gray

**Item No.: 280-472**

Insulation stop; 0.75 - 1 mm<sup>2</sup>; 5 pieces/strip; black

#### 1.1.2 Jumper

##### 1.1.2.1 Jumper

**Item No.: 280-492**

Jumper; 2-way; insulated; gray

#### 1.1.3 Marking

##### 1.1.3.1 Marker

**Item No.: 2009-145**

Mini-WSB InLine; for Smart Printer; 1700 pieces on roll; stretchable 5 - 5.2 mm; plain; snap-on type; white

**Item No.: 248-501**

Mini-WSB marking card; as card; not stretchable; plain; snap-on type; white

#### 1.1.4 Tool

##### 1.1.4.1 Operating tool

**Item No.: 210-720**

Operating tool; Blade: 3.5 x 0.5 mm; with a partially insulated shaft; multicoloured